



# BHARAT HEAVY ELECTRICALS LIMITED

( A Government of India Undertaking )  
HIGH PRESSURE BOILER PLANT  
PURCHASE DEPARTMENT - FOSSIL BOILERS  
THIRUCHIRAPALLI - 620014  
TAMILNADU (INDIA)

PHONE :2577331  
GRAMS : BHARATELEC  
FAX NO: 2520719  
E-mail: srchandran@bheltry.co.in  
Web:

429-002/A

	<b>Enquiry No</b> 2661500496 - 55	<b>Enquiry Date</b> 20.11.2015	<b>Due Date for Quotation</b> 15.12.2015
<p>Please quote Enquiry No, Date and due date in all correspondences. This is only a request for quotation and not an order. <b><i>Bid should be submitted in two parts. 1.Techno-commercial bid (Part-I) and 2.Price bid(Part-II) in a separate sealed cover and both covers must be placed in a third cover and sealed. Our Enquiry No., Enq. date &amp; Enq. Due date must be written on all three covers.</i></b></p>			

Item	Description	Unit	Quantity	Delivery Quantity	Schedule Date
10	SPINDLE AS PER DRAWING NO 2M04D0704408 Common note for all items: Supplier shall suitably punch/ tag the given drawing no. against each item during supply. (vendor to confirm) VENDOR QUALIFYING CRITERIA Only those vendors who satisfy the following conditions will get qualified to participate in the tender: 1.Vendor should have minimum 3 year experience in this field. 2.Previous PO details for supplying similar kind of items should be submitted along with offer. 3.Company profile details has to be provided along with offer.	NO	2.000	2.00	11.01.16
20	SPUR GEAR AS PER DRAWING NO 4M04D0726825	NO	4.000	4.00	11.01.16
30	PINION SHAFT AS PER DRAWING NO 4M04D0726826	NO	4.000	4.00	11.01.16
40	PINION SHAFT AS PER DRAWING NO 3M04D0710820	NO	4.000	4.00	11.01.16
50	BEARING LOCK NUT AS PER DRAWING NO 4M12B1619794	NO	4.000	4.00	11.01.16
60	SPUR GEAR AS PER DRAWING NO 4M04D0724377	NO	4.000	4.00	11.01.16

**General Note:**

GENERAL NOTE:PLEASE SUBMIT YOUR OFFER IN "TWO PART BID SYSTEM" AS PER THE ANNEXURES ENCLOSED.

ENCLOSURES:ANNEXURE II,III,IV,V,VI,VII.

All the tenders may be addressed to the following address:

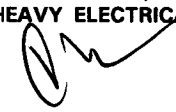
**The Tender Opening Cell / MM  
Room No: 26, Building 24, Ground Floor**

The offers should reach us 30 minutes before the time of opening of tenders. The offers will be opened at 14.30 hrs on the due date of tender in the presence of tenderers who have submitted their offer and who may like to be present for the tender opening.Late and delayed offers are liable to be rejected.

**VIGILANCE AWARENESS WEEK**  
**26 th OCT to 31st OCT 2015**  
**FOR VIGILANCE RELATED COMPLAINTS,**  
**CONTACT DGM/VIGILANCE & SM/VIGILANCE**  
**PHONE:0431-2577552,2577636**

**V. CHELLIAH**  
**Sr Manager / Purchase**  
**MM / RM / CP & SP**  
**BHEL, TRICHY -620 014.**

Yours faithfully,  
For **BHARAT HEAVY ELECTRICALS LIMITED**

  
**MANAGER / PURCHASE**  
**(FOSSIL BOILERS)**  
Yours faithfully,



# BHARAT HEAVY ELECTRICALS LIMITED

( A Government of India Undertaking )  
HIGH PRESSURE BOILER PLANT  
PURCHASE DEPARTMENT - FOSSIL BOILERS  
THIRUCHIRAPALLI - 620014  
TAMILNADU (INDIA)

Page  
2/2  
PHONE :2577331  
GRAMS : BHARATELEC  
FAX NO: 2520719  
E-mail: srchandran@bheltry.co.in  
Web:

2661500496 / 20.11.2015

23505

**Bharat Heavy Electricals Limited  
TIRUCHIRAPALLI 620014**

In case personal delivery of the offer, it shall be dropped into the respective box kept in Room No: 26, after duly entering the data in the system.

Offers will be accepted only up to 14.00 Hrs on the due date. Therefore, vendors shall ensure to submit the offers well before this time. All due date extension requirements should be addressed to the respective Purchase mail IDs. All the due date extension requests from vendors will be considered only up to 48 hours before the due date and time.

Vendors are requested to avoid submission of offers through e mail / fax. In case of any unavoidable situation, offers shall be sent through e mail to the following mail ID only tender\_cell@bheltry.co.in.

As tenders are being opened by Common Tender Opening Cell, offer covers should be sealed with tenderer's distinctive seal and super scribed with correct Tender No. item of supply and due date of opening.

The offers will be opened at 14.30 hrs on the due date of the tender in the presence of tenderers who have submitted their offer and who may like to be present for the tender opening. Late and delayed offers are liable to be rejected.

The bidder along with its associate/ collaborators/ sub-contractors/ sub-vendors/ consultants/ service providers shall strictly adhere to BHEL fraud prevention policy displayed on BHEL website <http://www.bhel.com> and shall immediately bring to the notice of BHEL management about any fraud or suspected fraud as soon as it comes to their notice.

**Enclosures:**

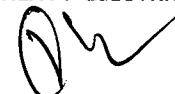
"LD clause has to be confirmed without fail."

The offers should reach us 30 minutes before the time of opening of tenders.  
The offers will be opened at 14.30 hrs on the due date of tender in the presence of tenderers who have submitted their offer and who may like to be present for the tender opening. Late and delayed offers are liable to be rejected.

**VIGILANCE AWARENESS WEEK**  
**26 th OCT to 31st OCT 2015**  
**FOR VIGILANCE RELATED COMPLAINTS,**  
**CONTACT DGM/VIGILANCE & SM/VIGILANCE**  
**PHONE:0431-2577552,2577636**

**V CHELLIAH**  
**Sr Manager / Purchase**  
**MM / RM / CP & SP**  
**BHEL, TRICHY -620 014.**

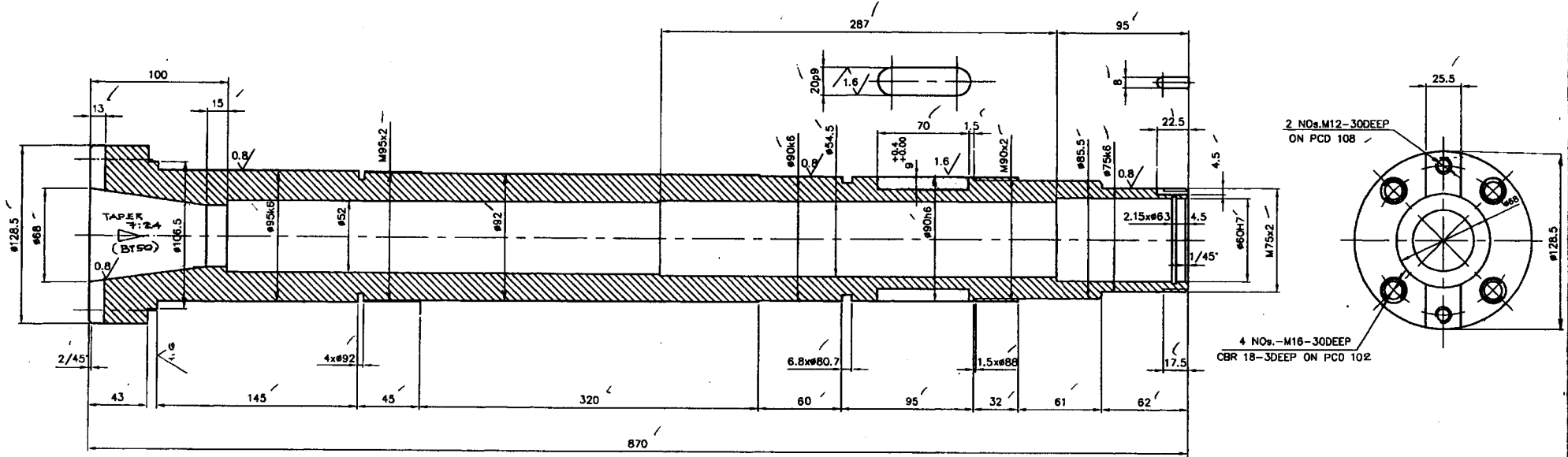
Yours faithfully,  
For BHARAT HEAVY ELECTRICALS LIMITED

  
MANAGER / PURCHASE  
(FOSSIL BOILERS)  
Yours faithfully,

CAUTION: THIS DRAWING IS OUR SOLE PROPERTY AND SHALL NOT BE USED IN ANY FORM FOR ANY PURPOSE WITHOUT THE WRITTEN CONSENT OF SHAW-WORTH ELECTRONICS LIMITED (TELEPHONE) - GB WA.

ALL DIMENSIONS ARE IN MM

#95k6	+0.025	#75k6	+0.021	3/2/16/08
#90k6	+0.000		+0.002	
20p9	-0.022	φ G OH7	+0.030	
	-0.074		+0.000	
		φ 90k6	-0.000	
			-0.022	



+2  
CASE HARDENED TO HRC.60  
CASE DEPTH 0.6mm.

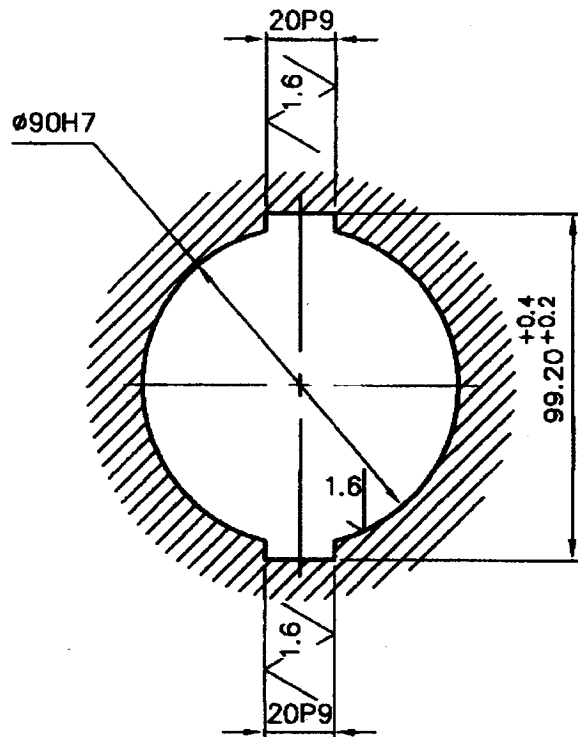
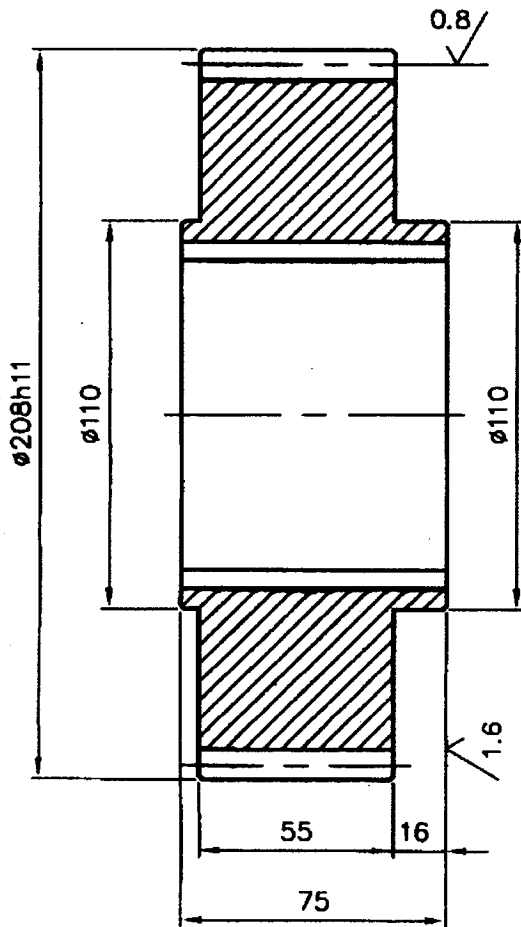
CHAMFER ALL SHARP CORNERS TO 1/45°

	#129x870L	13Ni3Cr.80	IS: 4432	29.75		
	DESCRIPTION	MATERIAL	STANDARD	NET.WT. IN KGS.	DRAWING No.	YON No.
	REFERENCE:		COMPONENT CODE: 02	EQUIPMENT CODE: 07		
			ALTERATIONS:	DCN REF	DATE	SIGN.
SCALE	DRAWN	P.A. ROSS				
CHECKED						
APPROVED						
1:2	DATE	17-11-2001				
MACHINING: CNC GANTARY DRILLING			TYPE: Y1208			
		TITLE:		DRAWING No.		REV.
		SPINDLE		2-M-04D-04408		
		(VERTICAL HEAD ASSY.)		07		
		No. of Sheets		Sheet No.		

CAUTION: THIS DRAWING IS OUR SOLE PROPERTY AND SHOULD NOT BE USED IN ANY FORM FOR ANY PURPOSE WITHOUT THE WRITTEN PERMISSION OF BHARAT HEAVY ELECTRICALS LIMITED TRICHIRAPPALLI - 620 014.

ALL DIMENSIONS ARE IN MM

ø90H7	+0.035	20P9	-0.022	3.2 // 1.6 // 0.8 //
	+0.000		-0.074	
ø208h11	-0.000			
	-0.290			



NOTE: -

01. CASE HARDENED TO HRC 60<sup>+2</sup>
02. CASE DEPTH : 0.08mm
03. CHAMFER ALL SHARP CORNERS TO 1/45°

NO.OF TEETH	50
MODULE	4
PRESSURE ANGLE	20°
WIDTH ACROSS 6 TEETH	-0.113 -0.188 67.7476
CORRECTION FACTOR	NIL
QLTY.&TOL.ZONE	9e DIN 3967
MATING GEAR NO.OF TEETH	22
MATING GEAR DRAWING NO:	4-M-04D-26826
CENTRE DISTANCE	144

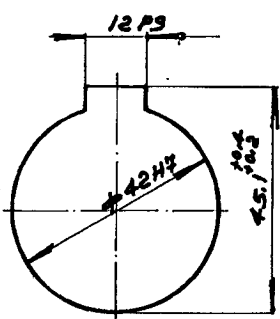
	ø208X75L	13Ni 13Cr3	IS: 4432	12.00		
No. of Pieces	DESCRIPTION	MATERIAL	STANDARD	NET.WT.IN KGS.	DRAWING No.	ITEM No.
REFERENCE:	PART NO: Y1208-1011		COMPONENT CODE: 08	EQUIPMENT CODE: 07		
SCALE	DRAWN	R. Narayana Rao	ALTERATIONS:	DCN REF	DATE	SIGN.
1:2	CHECKED					
	APPROVED					
	DATE	15.11.2001				
MACHINE: N.C.GANTRY DRILLING M/C		TYPE: Y1208				
TITLE: SPUR GEAR ø208X50T (DRILLING HEAD ASSY.)		DRAWING No: 07		REV.		
		4-M-04D-26825				
		No. of Sheets:		Sheet No:		



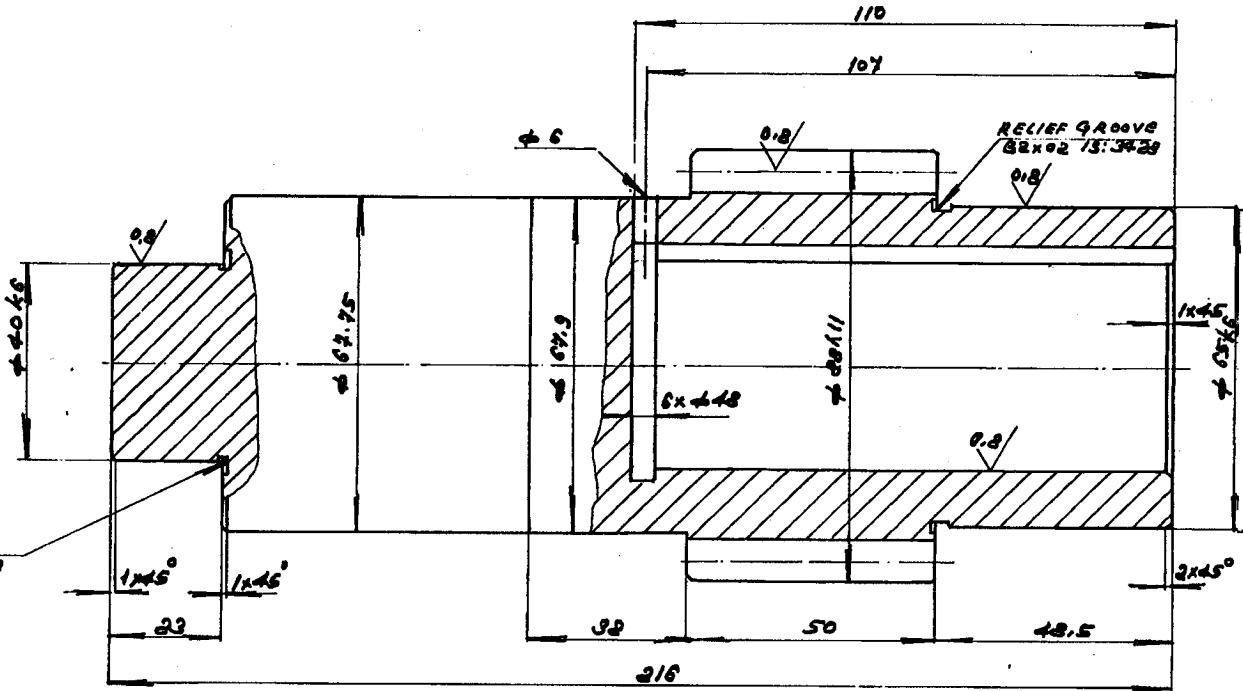
Caution  
 THIS DRAWING IS OUR SOLE PROPERTY AND SHOULD NOT BE USED IN ANY FORM FOR ANY OTHER PURPOSE WITHOUT THE WRITTEN PERMISSION OF BHARAT HEAVY ELECTRICALS LTD., TIRUCHIRAPALLI - 620 014.

+22H11	-0.000	+24H5		3.2 / 0.8
	-0.020			
+42H7	+0.025	+65k6	+0.021	
	+0.000		+0.002	
+40k6	+0.016	12P9	-0.018	
	+0.002		-0.061	

39-609 A



RELIEF GROOVE  
 82x0.2 13:34.28



NO. OF TEETH 20  
 MODULE 4  
 PR. ANGLE 20°  
 QUAL. & TOL. ZONE 3c DIN 3964  
 CORRECTION FACTOR -  $\frac{10.11}{0.180}$   
 WIDTH A/C 3 TEETH 30.842  
 MATING GEAR NO. TEETH 44  
 MATING GEAR DRG. NO. 4-M-04d-24347  
 CENTRE DISTANCE 128

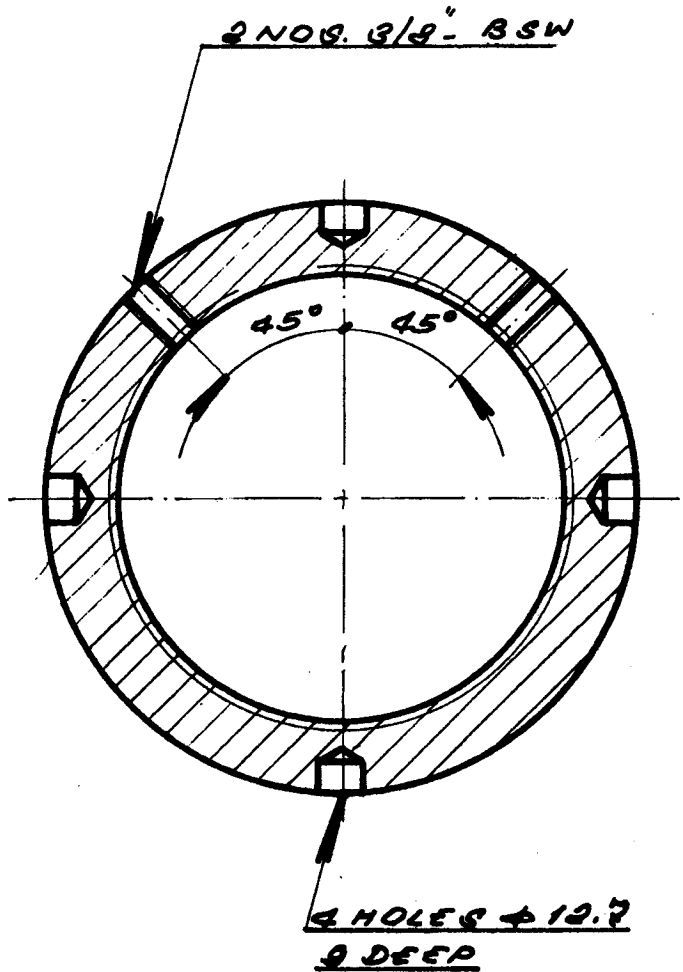
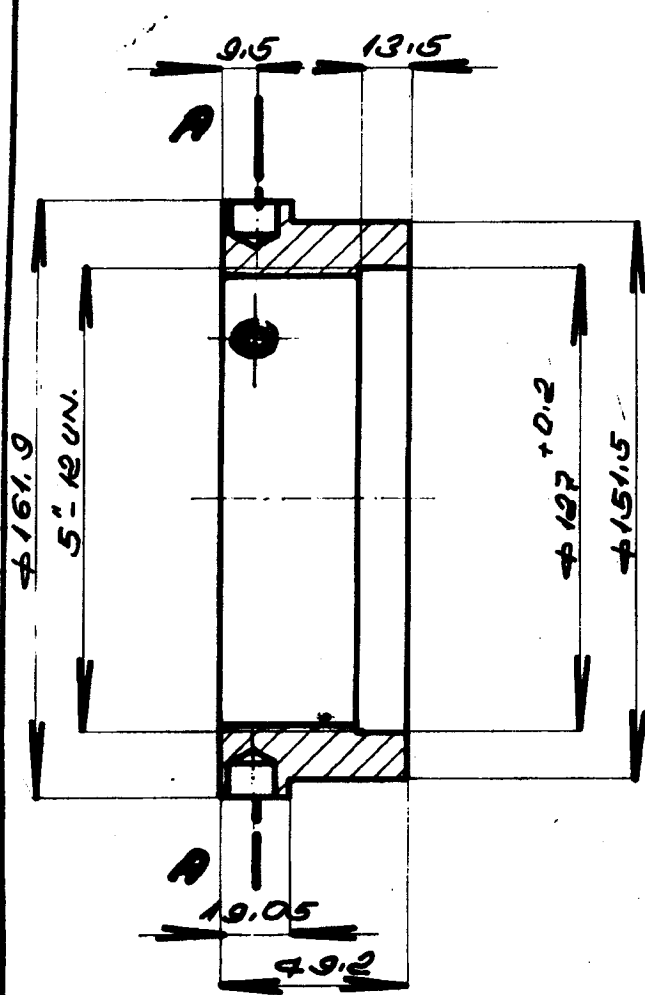
CASE HARDEN TO HRC 5.8<sup>+2</sup>

13N13CT80		AS. 44.92			
No. 01	DESCRIPTION	MATERIAL	STD/BPS	Net wt. (kg)	Gross wt. (kg)
REFERENCE :	ALTERATIONS			DATE	SIGN.
SCALE	DRAWN	CHECKED	APPROVED	DATE	
1:1				22-04-91	
MACHINE : GANTRY DRILLING		TYPL : Y1208		Total wt. (kg.)	
TIT E		DRAWING No.		REV.	
PINION SHAFT-82/207		3-M-04d-10820		07	
(DRILL HEAD) AXIS-M		No. of Sheets:		Sheet No.	

**CAUTION**

THIS DRAWING IS OUR SOLE PROPERTY AND SHOULD NOT BE USED IN ANY FORM FOR ANY OTHER PURPOSE WITHOUT THE WRITTEN PERMISSION OF  
**BHARAT HEAVY ELECTRICALS LTD.,**  
**TIRUCHIRAPALLI-14**

3.2/



**SECTION 'AA'**

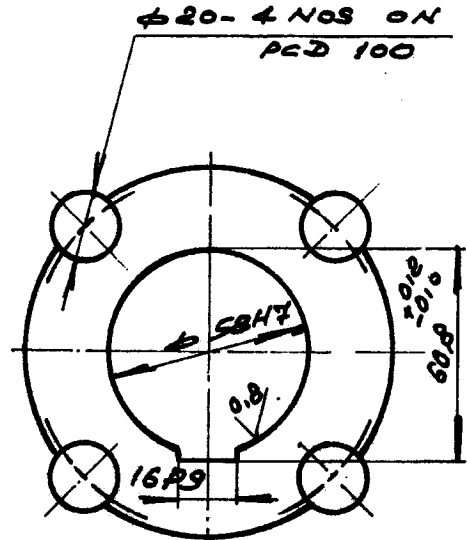
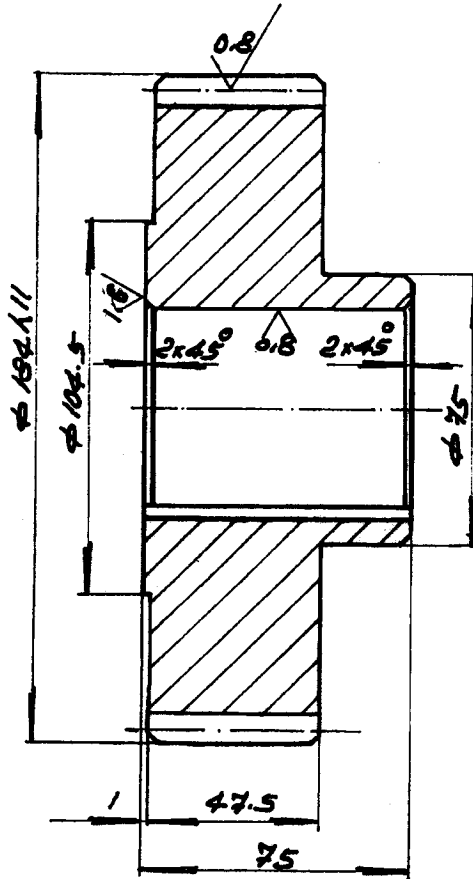
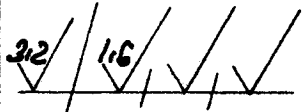
		CI. 9120							
		IS: 210							
NO. OF PIECES	DESCRIPTION	SEMI-PRODUCT	FINAL MATERIAL	INITIAL MATERIAL	SCRAP SORT	NET WT (kg)	GROSS WT (kg)	DRAWING NO.	ITEM NO.
REMARKS				TOTAL NET WT (kg)					
SCALE 1:2	DRAWN	<i>Payal S.</i>		REFERENCE	ALTERATIONS		DATE	SIGNATURE	INDEX
	CHECKED	<i>S. Srinivas</i>		PART NO.					
	APPROVED	<i>Kandasaamy</i>		E.308					
	STDS. OFFICER								
DATE		15.7.1980							
MACHINE		MODERN CUT OFF		TYPE: MODEL-3K.		INV. NO.			
TITLE:		BEARING LOCK NUT		DRAWING NO.		4. M. 126-19294			
5. 12. UN.				NO. OF SHEETS		SHEET NO.			



39-607 A

**Caution**  
THIS DRAWING IS OUR SOLE PROPERTY AND SHOULD NOT BE USED IN ANY FORM FOR ANY OTHER PURPOSE WITHOUT THE WRITTEN PERMISSION OF BHARAT HEAVY ELECTRICALS LTD., TIRUCHIRAPALLI - 620 014.

φ 194 H11	-0.000	16 P9	-0.018
	-0.0290		-0.061
φ 58 H7	+0.030		
	+0.000		



NO. OF TEETH	44
MODULE	4
PR. ANGLE	20°
CORRECTION FACTOR	-
QUAL. & TOL. ZONE	9c M/N. 3967
WIDTH A/C 6 TEETH	67.412 <sup>+0.150</sup> <sub>-0.20</sub>
MATING GEAR NO. OF TEETH	20
MATING GEAR DRG. NO.	3-M-04d-10820
CENTRE DISTANCE	128

CASE HARDENED TO HRC 58<sup>T2</sup>

		13 N13 Cr 20	15.4492				
No. of pcs.	DESCRIPTION	MATERIAL	STD/BPS	Net wt. (kg)	Gross wt. (kg)	DRAWING No.	Item No.
REFERENCE:	ALTERATIONS		DATE	SIGN.	Index		
SCALE 1:2	DRAWN	<i>[Signature]</i>					
	CHECKED	<i>[Signature]</i>					
	APPROVED	<i>[Signature]</i>					
	DATE	22-04-91					
MACHINE: N.C GANTRY DRILLING		TYPE: Y 1208		Total wt. (kg.)		REV.	
		<b>SPUR GEAR φ 194/44T</b> (DRILL HEAD) AXIS I		DRAWING No. <b>4-M-04d-24377</b> 07		No. of Sheets: Sheet No.	

**CAPITAL PURCHASE**  
**COMMERCIAL TERMS AND CONDITIONS**

**1.0 QUOTATIONS**

The Bidders shall submit the offer in **TWO INNER ENVELOPES** as indicated below which shall be sealed in one outer envelope.

**Envelope I** This sealed envelope should contain all the copies of technical bid together with un-priced commercial bid & annexure III. This envelope should be clearly marked **'Part I - Technical and commercial bid'**,

Indicating Enquiry No., Due Date and Address & Reference of the Bidder.

**Envelope II** This sealed envelope should contain **price as per Annexure-IV format**. This envelope should be clearly marked **"Part II - Price bid"**, indicating **Enquiry No., Due Date and Address & Reference of the Bidder**.

Both the envelopes (Part I & II) shall be put in one cover (**Envelope III**), duly sealed, superscribing as Part I and Part II of Enquiry No., due date of opening and the address and reference of the Bidder

The above offer should reach this office on or before the due date by 14.00 hours (IST). Late offers will not be considered.

Tender should not be addressed to any individual's name

**The Tender Opening Cell/MM**  
**Room No-26 , Building – 24 , Ground Floor**  
**Bharat Heavy Electrical Limited**  
**Tiruchirapalli- 620014 .**

Tenders should be free from **CORRECTION AND ERASURES**, Corrections if any, must be attested. All Amounts shall be indicated both in words as well as in figures. Where there is difference between amount quoted in words and figures, amount quoted in words shall prevail.

Offers should be in **ENGLISH** and accompanied by detailed technical literature, catalogue and detailed dimensional drawings in **ENGLISH** or otherwise, the offers will not be considered.

**2.0 OPENING OF TENDERS**

The Part I - Technical & commercial bid alone would be opened on the Tender opening date.

The Part II - Price bid of technically suitable Bidders alone would be opened. The Technically Suitable Bidders would be informed about the tender opening date through e-mail.

Clarifications if any required by BHEL for Technical evaluation **would be** sought from Bidders before opening of Part II - price bid

**For any queries clarifications the bidders may contact us through our FAX NO. +91 431 2520719 or through e-mail <arunachal@bheltry.co.in >&< chells@bheltry.co.in>**

MM: CP &amp; SP

**Annexure For Techno Commercial Bid**

Check List - to be filled and submitted along with Technical Bid

BHEL Commercial Terms and Conditions for Indigenous Supplies	Vendor's Confirmation / Comments
Technical confirmation to BHEL's Specification as called for in BHEL Format shall be furnished. If needed additional sheets shall be used.	
Prices shall be quoted <del>Item wise</del> only as per the model format enclosed	
Prices shall be quoted on "FIRM PRICE" basis only The prices should be only on F.O.R / Despatching station basis with Packing & Forwarding charges if any. Applicable % of ED & Sales Tax, Freight & Insurance, Installation & Commissioning Charges should be clearly Indicated	
Validity of offer shall be for a minimum period of 120 days from the date of Tender opening	
Delivery period from the date of Letter of Intent / Purchase order shall be clearly mentioned in the offer	
Liquidated damages @ '0.5% per week subject to a maximum of 10% of the order value shall be applicable for delay in deliveries For Details Refer Annexure- v	
Following Risk Purchase clause shall be applicable The purchaser at his option will be entitled to terminate the contract and to purchase elsewhere at the risk and cost of the seller either the whole of the goods or any part which the supplier has failed to deliver or dispatch within the time stipulated or if the same were not available, the best and the nearest available substitute therefore The supplier shall be liable for any loss which the Purchaser may sustain by reason of such risk purchases	
Payment term for supply portion: Payment term is 100% direct payment after 45 days from the date of receipt and acceptance of materials For details Refer Annexure- v	
Erection / commissioning: (if applicable only) Erection / commissioning charges if any has been mentioned in the offer or else confirmation that Erection /commissioning shall be done at free of cost is available in the offer,	
The equipment shall be guaranteed for a period of 12 months from the date of commissioning	
Final inspection and acceptance of equipment will be after installation at BHEL, Trichy	
The vendor shall provide necessary drawings, Test Certificates and Operating Maintenance Manuals etc., as called for in the Technical Specification, in the required number of copies at no extra cost	
Any warranty replacement during warranty period shall be supplied free of charge on FOR BHEL, Trichy basis.	
Offers should be submitted only in sealed cover super-scribing clearly the Enquiry reference and due date.	
% of Excise Duty with cess	
% of TAX (CST/VAT)-(INGST with FORM-17 or CST with C-FORM)	
Packing & Forwarding Charges ( if any in % only)	
Percentage of Freight& transit insurance charges, if any Freight charges from Dispatching station to BHEL, Tiruchirappalli • Supplier should quote for F.O.R-BHEL Trichy Stores.	
As per Commercial terms and conditions, acceptance for participation in Reverse auction (RA).Yes/No to be indicated	
Name of the person for participating reverse auction	
Land Line Number	
Fax Number	
Mobile Number	
E-mail ID	

## NOTE:-

- It is confirmed that all the terms and conditions stipulated in the Enquiry have been fully understood by us and all clarifications & details have been obtained.
- Your offer should be indicating applicable if any P&F Charges, % of ED, Sales Tax -CST or VAT, Service Tax), Freight, Insurance and Installation and Commissioning Charges etc., as per our Price Format
- Your specific acceptance to our Payment terms, LD & Risk Purchase Clause are essential for consideration of your offer. Other wise your offer is liable for rejection.
- No row shall be left blank. Please indicate NA, in case the item is "not applicable"

**Annexure For Price Bid**

**Bharat Heavy Electricals Limited TIRUCHIRAPPALLI CAPITAL PURCHASE  
MODEL PRICE BID FORMAT FOR INDIAN BIDDERS**

Annexure-IV

Enquiry No. & Date:

Bidder's Offer No. & Date:

Sl No	Description of item	Unit	Quantity	Rate in Rs.	Value in Rs.
	<b>TOTAL VALUE IN RS.</b>				
	<b>Packing &amp; Forwarding charges in % if any</b>				
	<b>Freight &amp; Insurance Charges In % if freight charges are not mentioned it will be considered as FOR-BHEL TRICHY.</b>				
	<b>Excise Duty (indicate in %)</b>				
	A) TNGST — VAT (%)				
	B) CST with C-FORM — (%)				
	C) CST without C-Form — (%)				
	<b>Approximate Net weight of the total consignment</b>				
	<b>Approximate Gross weight of the total consignment</b>				
	<b>Approximate Dimensions of the Consignment</b>				
	<b>The price indicated shall be inclusive of all accessories, spares etc. as given in the scope of supply. Individual item-wise break-up price shall be attached as an annexure to this price bid format.</b>				

**Signature & Seal of Vendor**

**NOTE:**

1. The price bid should be submitted only as per the above format. No row shall be left blank. Please indicate NA, in case the item is "not applicable".
2. Prices shall be quoted item-wise only as per the above format.
3. If Price quoted is Inclusive of ED, the included ED Value and Base Value shall be indicated item-wise.

<b>Payment Term (Indigenous)</b>	
<b>If materials are receivable at Stores/Trichy <u>without</u> PBG</b>	Payment term is 100% direct payment after 45 days from the date of receipt and acceptance of materials.
<b>If materials are receivable at Stores/Trichy <u>with</u> PBG</b>	Payment term is 100% direct payment after 45 days from the date of receipt and acceptance of materials and against 10% PBG valid for the warranty period.
Any deviation in the above payment term will attract loading as mentioned below. “Base rate of SBI (as applicable on the date of bid opening. Techno-commercial bid opening in case of two part bids) + 6% shall be considered for loading for the period of relaxation sought by bidders.	

Offers of indigenous Suppliers with any other Payment terms will be rejected.

#### **Liquidated Damages / Penalty -**

The delivery of the goods specified in the purchase order should be made within the time prescribed. LD for delay in 'Supply' and/or 'E&C' will be applicable to the delays attributed to vendor. LD will be considered separately for 'Delivery' and 'E&C'. Where the seller supplies or dispatches the goods, beyond the delivery period Liquidated damages shall be applicable 0.5% of the total order value per week or part thereof subject to a maximum of 10% of the total order value.

**Material Despatched after Due date:** Once the delivery due date is crossed, bills have to be clubbed till final despatch and forwarded for processing of payment as a single bunch. LD percentage will be calculated from Delivery due date to final despatch date.

The rate of LD for delayed E&C shall be @ 0.5% per week of delay of total PO value (Supply + E&C) in E&C subject to a maximum of 10% of total PO value (Supply + E&C).

For staggered delivery schedule, LD shall be 0.5% of the undelivered portion per week of the delay or part thereof subject to a maximum of 10% of the total order value.

Any deviation from the above LD clause, loading will be applied to the extent to which it is not agreed by the bidder (at offered value).

For the purpose of Imposing LD, the FOB delivery (B/L date) shall be considered.

#### **Guarantee / Warranty Period – (if applicable)**

Normally No deviation permitted and the deviated offers are liable for rejection.

#### **Ranking-**

BHEL will consider the ranking after the loading is applied as referred above wherever deviations are observed.

#### **Performance Bank Guarantee – (if applicable)**

Normally No deviation permitted and the deviated offers are liable for rejection.

**Fraud prevention clause:** The bidder along with its associate/collaborator/sub-contractor/sub-vendor/consultants/service providers shall strictly adhere to BHEL fraud prevention policy displayed on BHEL website <http://www.bhel.com> and shall immediately bring to the notice of BHEL management about any fraud or suspected fraud as soon as it comes to their notice.

#### **NOTE:-**

1. If the due date of tender opening happens to be a holiday, the tenders will be opened on the next working day.
2. BHEL reserves the right to go for a reverse auction (RA) instead of opening the submitted sealed bid which will be decided after technical evaluation. Information and general terms and conditions covering RA are given in commercial terms and conditions.
3. Corrigendum if any, with respect to this tender will be hosted only in the website <http://www.bhel.com> or <http://tenders.gov.in>. You are requested to visit the website regularly for updates.

**Special Provisions for Micro and Small Enterprises (MSE)**

1. 20% of the tendered quantity is earmarked for MSE suppliers in this tender.
2. Out of the 20% tendered quantity reserved for MSE suppliers, 4% shall be earmarked for procurement from MSE owned by SC/ST entrepreneurs.
3. In case MSE vendor participating in the tender quotes within the price band of L1+15%, they will be allowed to supply the portion of the requirement subject to acceptance of L1 price by MSE vendor. In case of more than one such MSE, the supply shall be shared proportionately.
4. "MSE suppliers can avail the intended benefits only if they submit along with the offer, attested copies of either EM II certificate having deemed validity (five years from the date of issue of acknowledgement in EM-II) or valid NSIC certificate or EM II certificate along with attested copy of a CA certificate (Format enclosed at Annexure -VII where deemed validity of EM II certificate of five Years has expired) applicable for the relevant financial year (latest audited). Date to be reckoned for determining the deemed validity will be the date of bid opening (Part 1 in case of two part bid). Non submission of such documents will lead to consideration of their bid at par with other bidders. No benefit shall be applicable for this enquiry if any deficiency in the above required documents are not submitted before price bid opening. If the tender is to be submitted through e-procurement portal, then the above required documents are to be uploaded on the portal. Documents should be notarized or attested by a Gazetted officer."

**Certificate by Chartered Accountant on letter head**

This is to Certify that M/S .....  
(hereinafter referred to as 'company') having its registered office at  
..... is registered under MSMED Act 2006, (Entrepreneur  
Memorandum No (Part-II) ..... dtd:.....,  
Category: ..... (Micro/Small)). (Copy enclosed).

Further verified from the Books of Accounts that the investment of the company as on  
date..... as per MSMED Act 2006 is as follows:

1. **For Manufacturing Enterprises:** Investment in plant and machinery (i.e. original cost  
excluding land and building and the items specified by the Ministry of Small Scale Industries vide its  
notification No.S.O.1722(E) dated October 5, 2006 :  
Rs.....Lacs
2. **For Service Enterprises:** Investment in equipment (original cost excluding land and building and  
furniture, fittings and other items not directly related to the service rendered or as may be notified under the MSMED  
Act, 2006:  
Rs.....Lacs

The above investment of Rs.....Lacs is within permissible limit of  
Rs.....Lacs for .....Micro / Small (Strike off which is not applicable)  
Category under MSMED Act 2006.

Date:

(Signature)

Name -

Membership number -

Seal of Chartered Accountant