



BHARAT HEAVY ELECTRICALS LIMITED

Page
1/4

(A Government of India Undertaking)
HIGH PRESSURE BOILER PLANT
PURCHASE DEPARTMENT - FOSSIL BOILERS
THIRUCHIRAPALLI - 620014
TAMILNADU (INDIA)

PHONE :2577938
GRAMS : BHARATELEC
FAX NO: 2520719
E-mail: tvenkat@bheltry.co.in
Web:

429-002/A

Enquiry No	Enquiry Date	Due Date for Quotation
2661500506 - 75	27.11.2015	21.12.2015
Please quote Enquiry No, Date and due date in all correspondences. This is only a request for quotation and not an order. Bid should be submitted in two parts. 1.Techno-commercial bid (Part-I) and 2.Price bid(Part-II) in a separate sealed cover and both covers must be placed in a third cover and sealed. Our Enquiry No., Enq. date & Enq. Due date must be written on all three covers.		

Item	Description	Unit	Quantity	Delivery Quantity	Schedule Date
10	GUIDE RING KIT 38.1 mm SPECIFICATION FOR CUSTOM BUILT CODED GUIDE RING FOR TUBE DIA 38.1MM GUIDE RING KIT CONSISTS OF THE FOLLOWING ASSEMBLY ALONG WITH THREE NUMBERS OF SPACER SET 1. GUIDE RING 2. ROLLER CHAIN ASSEMBLY 3. LINK NOTE FOR ALL ITEMS: (1)THE GIVEN DRAWING IS REFERENCE PURPOSE ONLY. (2)FOR EXACT DIMENSIONS AND TO UNDERSTAND THE FUNCTION OF GUIDRING SUPPLIER MAY VISIT BHEL TRICHY BEFORE QUOTING. (3)AFTER PLACEMENT OF PURCHASE ORDER SUPPLIER SHALL MAKE AND SUBMIT THE DRAWING FOR BHEL APPROVAL . ONE ITEM HAS TO BE SUPPLIED FOR BHEL ACCEPTANCE . AFTER ACCEPTANCE OF THE ITEM ONLY OTHER ITEMS QUANTITY SHALL BE MANUFACURED AND SUPPLIED. (4)SS-304 MATERIAL SHALL BE USED FOR MANUFACTURING OF GUIDE RING (5)MATERIAL TEST CERTIFICATE FROM GOVT. AUTHORISED LABORATORY SHOULD BE PROVIDED ALONG WITH THE MATERIAL.	NO	1.000	1.00	12.02.16
20	GUIDE RING KIT 57 mm SPECIFICATION FOR CUSTOM BUILT CODED GUIDE RING FOR TUBE DIA 57mm GUIDE RING KIT CONSISTS OF THE FOLLOWING ASSEMBLY ALONG WITH THREE NUMBER OF SPACER SET 1. GUIDE RING 2. ROLLER CHAIN ASSEMBLY 3. LINK	NO	1.000	1.00	12.02.16
30	GUIDE RING KIT 60.3 mm SPECIFICATION FOR CUSTOM BUILT CODED GUIDE RING FOR	NO	1.000	1.00	12.02.16

The offers should reach us 30 minutes before the time of opening of tenders.
The offers will be opened at 14.30 hrs on the due date of tender in the presence of tenderers who have submitted their offer and who may like to be present for the tender opening.Late and delayed offers are liable to be rejected.

Yours faithfully,
For BHARAT HEAVY ELECTRICALS LIMITED

MANAGER / PURCHASE
(FOSSIL BOILERS)
Yours faithfully,



BHARAT HEAVY ELECTRICALS LIMITED

(A Government of India Undertaking)
HIGH PRESSURE BOILER PLANT
PURCHASE DEPARTMENT - FOSSIL BOILERS
THIRUCHIRAPALLI - 620014
TAMILNADU (INDIA)

Page
2/4

PHONE :2577938
GRAMS : BHARATELEC
FAX NO: 2520719
E-mail: tvenkat@bheltry.co.in
Web:

2661500506 / 27.11.2015

23505

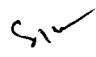
40	TUBE DIA 60.3mm GUIDE RING KIT CONSISTS OF THE FOLLOWING ASSEMBLY ALONG WITH THREE NUMBER OF SPACER SET 1. GUIDE RING 2. ROLLER CHAIN ASSEMBLY 3. LINK	NO	1.000	1.00	12.02.16
50	GUIDE RING KIT 54 mm SPECIFICATION FOR CUSTOM BUILT CODED GUIDE RING FOR TUBE DIA 54mm GUIDE RING KIT CONSISTS OF THE FOLLOWING ASSEMBLY ALONG WITH THREE NUMBER OF SPACER SET 1. GUIDE RING 2. ROLLER CHAIN ASSEMBLY 3. LINK	NO	1.000	1.00	12.02.16
60	GUIDE RING KIT 63. 5 mm SPECIFICATION FOR CUSTOM BUILT CODED GUIDE RING FOR TUBE DIA 63.5mm. GUIDE RING KIT CONSISTS OF THE FOLLOWING ASSEMBLY ALONG WITH THREE NUMBER OF SPACER SET 1. GUIDE RING 2. ROLLER CHAIN ASSEMBLY 3. LINK	NO	1.000	1.00	12.02.16

General Note:

- 1.POINT-BY-POINT CONFIRMATION TO BHEL'S SPECIFICATIONS, COMMERCIAL TERMS & CONDITIONS ARE TO BE PROVIDED BY THE VENDORS IN "ANNEXURE A &B.
2. FILL UP ANNEXURE A. PLEASE ENSURE THAT ALL TERMS & CONDITIONS SHOULD BE INDICATED IN THE UN-PRICED BID TO BE ATTACHED WITH THE TECHNO-COMMERCIAL BID POSITIVELY.
3. VALIDITY OF THE OFFER SHOULD NOT BE LESS THAN 90 DAYS.
4. THE BIDDER SHALL MEET PRE-QUALIFICATION CRITERIA

The offers should reach us 30 minutes before the time of opening of tenders.
The offers will be opened at 14.30 hrs on the due date of tender in the presence of tenderers who have submitted their offer and who may like to be present for the tender opening.Late and delayed offers are liable to be rejected.

Yours faithfully,
For **BHARAT HEAVY ELECTRICALS LIMITED**


MANAGER / PURCHASE
(FOSSIL BOILERS)
Yours faithfully,



BHARAT HEAVY ELECTRICALS LIMITED

(A Government of India Undertaking)
HIGH PRESSURE BOILER PLANT
PURCHASE DEPARTMENT - FOSSIL BOILERS
THIRUCHIRAPALLI - 620014
TAMILNADU (INDIA)

PHONE :2577938
GRAMS : BHARATELEC
FAX NO: 2520719
E-mail: tvenkat@bheltry.co.in
Web:

2661500506 / 27.11.2015

23505

6. WHEREVER FOR SPLITTING OF ORDER AS PER ANNEXURE II CLAUSE 27, IF SPLITTED QUANTITY COMES OUT < 1 , THE SPLITTING OF ORDER WILL NOT BE FEASIBLE. (For MSE vendors)

LIST OF ATTACHMENTS:

- 1.Pre qualification criteria
2. ANNEXURE-II TERMS AND CONDITIONS OF THE ENQUIRY. (TWO PART-BID)
3. ANNEXURE-V- CA certificate format(as per MSMED act 2006) to be furnished , if applicable -Refer ANNEXURE II CLAUSE 27 (For MSE vendors)
- 4.ANNEXURE-A CHECK LIST FOR TECHNICAL & COMMERCIAL TERMS CONFIRMATION-TO BE FILLED BY THE SUPPLIER.
5. ANNEXURE-B MODEL PRICE BID FORMAT.
6. ANNEXURE-VI CHECK LIST TO BE SUBMITTED ALONG WITH OFFER
7. DRAWING

All the tenders may be addressed to the following address:

**The Tender Opening Cell / MM
Room No: 26, Building 24, Ground Floor
Bharat Heavy Electricals Limited
TIRUCHIRAPALLI 620014**

In case personal delivery of the offer, it shall be dropped into the respective box kept in Room No: 26, after duly entering the data in the system.

Offers will be accepted only up to 14.00 Hrs on the due date. Therefore, vendors shall ensure to submit the offers well before this time. All due date extension requirements should be addressed to the respective Purchase mail IDs. All the due date extension requests from vendors will be considered only up to 48 hours before the due date and time.

Vendors are requested to avoid submission of offers through e mail / fax. In case of any unavoidable situation, offers shall be sent through e mail to the following mail ID only tender_cell@bheltry.co.in.

As tenders are being opened by Common Tender Opening Cell, offer covers should be sealed with tenderer's distinctive seal and super scribed with correct Tender No. item of supply and due date of opening.

The offers will be opened at 14.30 hrs on the due date of the tender in the presence of tenderers who have submitted their offer and who may like to be present for the tender opening. Late and delayed offers are liable to be rejected.

The bidder along with its associate/ collaborators/ sub-contractors/ sub-vendors/ consultants/ service

The offers should reach us 30 minutes before the time of opening of tenders. The offers will be opened at 14.30 hrs on the due date of tender in the presence of tenderers who have submitted their offer and who may like to be present for the tender opening. Late and delayed offers are liable to be rejected.

Yours faithfully,
For **BHARAT HEAVY ELECTRICALS LIMITED**

MANAGER / PURCHASE
(FOSSIL BOILERS)
Yours faithfully,



BHARAT HEAVY ELECTRICALS LIMITED

(A Government of India Undertaking)
HIGH PRESSURE BOILER PLANT
PURCHASE DEPARTMENT - FOSSIL BOILERS
THIRUCHIRAPALLI - 620014
TAMILNADU (INDIA)

PHONE :2577938
GRAMS : BHARATELEC
FAX NO: 2520719
E-mail: tvenkat@bheltry.co.in
Web:

2661500506 / 27.11.2015

23505

providers shall strictly adhere to BHEL fraud prevention policy displayed on BHEL website <http://www.bhel.com> and shall immediately bring to the notice of BHEL management about any fraud or suspected fraud as soon as it comes to their notice.

Enclosures:

"LD clause has to be confirmed without fail."

The offers should reach us 30 minutes before the time of opening of tenders.
The offers will be opened at 14.30 hrs on the due date of tender in the presence of tenderers who have submitted their offer and who may like to be present for the tender opening. Late and delayed offers are liable to be rejected.

Yours faithfully,
For **BHARAT HEAVY ELECTRICALS LIMITED**

MANAGER / PURCHASE
(FOSSIL BOILERS)
Yours faithfully,

PRE - QUALIFICATION CRITERIA

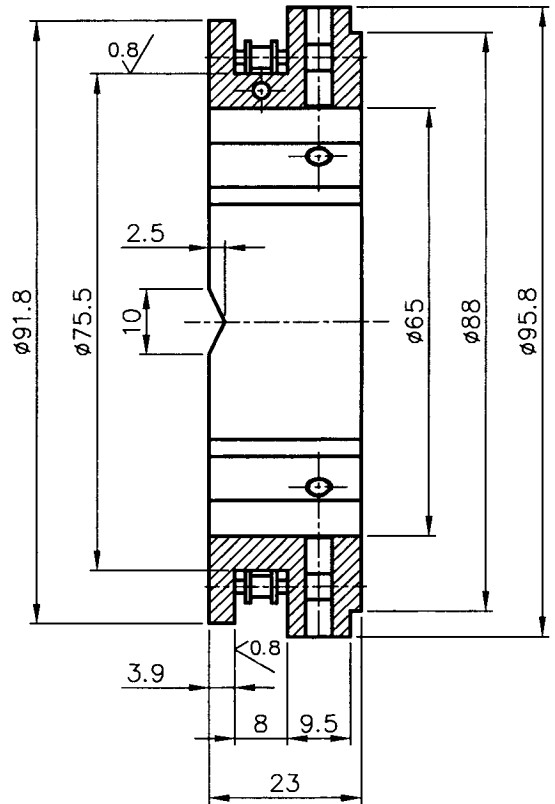
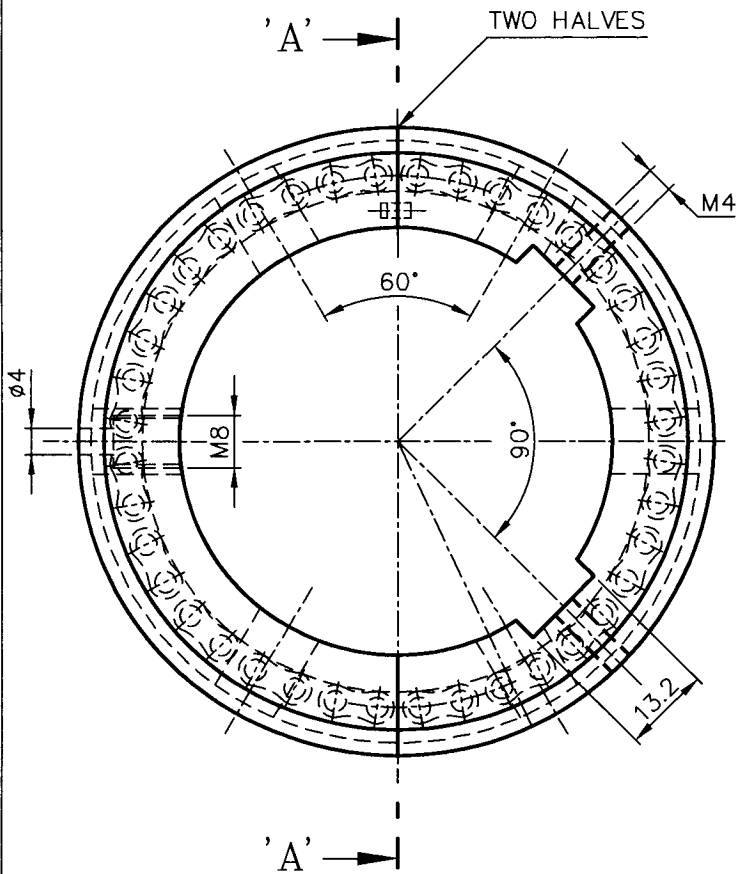
The BIDDER/VENDOR has to compulsorily meet all the following requirements and supporting documents should be furnished with out which the offer will not be considered for technical evaluation.

S. No.	Requirements	Vendors Response
1	Only those who have supplied similar items to industries shall quote	
2	Vendor should have minimum 3 years experience in this field.	
3	vendor should also submit following details which are necessary for qualifying their offer. a)Company profile details has to be provided along with offer b)Documentary evidence of previous Purchase Orders.The PO copies should be on the name of the Bidder.	
4	BHEL Reserves the right to visit the vendor's works for verifying the manufacturing facilities and any other credential furnished by the vendor in case the information furnished with the offers found to be false/incorrect the offer shall be rejected	

CAUTION: THIS DRAWING IS OUR SOLE PROPERTY AND SHOULD NOT BE USED IN ANY FORM FOR ANY PURPOSE WITHOUT THE WRITTEN PERMISSION OF BHARAT HEAVY ELECTRICALS LIMITED

ALL DIMENSIONS ARE IN MM

1.6//0.8




SECTION - 'AA'

FOR REFERENCE ONLY

NOTE: -

- * 01. MANUFACTURING OF THE COMPONENT TO BE DONE ONLY AFTER STUDYING THE COMPONENT PHYSICALLY.

No. of Pieces	ROD $\phi 96 \times 23L$	SS-304		0.54		
	DESCRIPTION	MATERIAL	STANDARD	NET.WT.IN KGS.	DRAWING No.	ITEM No.
	MACHINE: MAGNATECH ORBITAL TIG WELDING MACHINE - UNIT-II				DATE- 11/03/2013	
	TITLE: GUIDE RING			DRAWN - N.MADURAVEERAN		
			SKETCH NO.-			

TERMS AND CONDITIONS OF THE ENQUIRY (TWO PART BID)

1. The tender will be operated on two part bid basis i.e. (I).Techno-Commercial Bid & (II).Price Bid.
2. Techno-Commercial Bid: Containing Technical details, specifications, commercial terms and conditions like percentage of Freight & Insurance, ED WITH CESS, Taxes ,delivery terms, delivery schedule, validity of offer, payment terms (except price details), acceptance for LD clause, RP clause etc. as per ANNEXURE-A shall be put in a cover (1) and super scribed as "Techno-Commercial Bid" for Enquiry No:Dt:Due Dt.:
3. Price Bid: Containing the price details shall be put in a separate cover (2) and superscribed as "Price Bid" for Enquiry No:Dt:Due Dt.: as per ANNEXURE –B (submitted in your company letter head)
4. You are requested to put the above two envelopes (Techno-Commercial Bid & Price Bid) inside a separate larger sealed envelope and this envelope shall be super scribed as "Techno-Commercial Bid and Price Bid" for Enquiry No:Dt:Due Dt.:

Your Quotations should be sent to:

The Tender Opening Cell/MM

Room No-26 , Building – 24 , Ground Floor

Bharat Heavy Electrical Limited

Tiruchirapalli- 620014 .

In case personal delivery of the offer , it shall be dropped into the respective box after duly entering the data in the system kept in room no 26 .

Vendors are requested to avoid submission of offers thro email / fax . In case of any unavoidable situation, offers shall be sent thro email to the following mail ID only " **tender_cell@bheltry.co.in** "

In case offer is not sent to the **tender_cell@bheltry.co.in** & offer only sent to the any other BHEL trichy official email id will not be considered.

As such Tenders are being opened by Common Tender opening Cell , offer covers should be sealed with tender's distinctive seal and super scribed with correct Tender NO, item of supply and due date of Opening .

5. Tender should not be addressed to any individual's name but only by designation.
6. Tenders should be free from CORRECTION AND ERASURES. Corrections if any must be attested; all amounts shall be indicated both in words as well as in figures. Where there is difference between amount quoted in words and figures, amount quoted in words shall only be considered.
7. Please submit point wise compliance to our specifications, terms and conditions. Otherwise it will be presumed that you are accepting BHEL's terms and conditions. Fill Up Annexure A. Please Ensure That All Terms & Conditions Should Be Indicated in The Un-Priced Bid To Be Attached With The Techno-Commercial Bid Positively (ANNEXURE-A)
8. Offer/s received after due date and time: **02:00 pm** will not be considered under any circumstances.
9. **Validity** of quoted rates should be maintained minimum for **90 days** from the date of Tender opening for ordering (Technical Bid). The quoted/Finalized rates shall be Firm till completion of the supplies.
10. The rates are to be quoted on **F.O.R. BHEL TRICHY STORES (Inclusive of Packing, Forwarding). If any Freight & Transit Insurance charges which are payable to supplier is applicable, please indicate extra in %...** All the items should be supplied at our stores, BHEL / TRICHY-14 at your own cost. Offers with any other delivery conditions is not acceptable.

IMPORTANT NOTE:
FOR Indian Bidders

(I) Delivery condition like Ex-works / Ex-godown / Transportation of materials through transport carriers from your works up to the transport carrier's office at Tiruchy and taking delivery of goods by BHEL from such office of transport carriers is not acceptable to us)

▪ For Foreign Bidders :

Bidders should submit their offer for CIF Chennai with freight and insurance break up details. FOB rate will be arrived by subtracting the corresponding freight & insurance break up from the CIF rate. Port of Loading should be indicated without fail. BHEL reserves the right to order on FOB or CIF basis. Mode of shipment will be Sea.

CIF incoterms:

For CFR terms, moved through CONTAINERS (Suppliers should clearly specify this in their offer) it would be presumed by BHEL that the freight charges quoted is on LILO (LINER IN LINER OUT) basis including extra charges, if any, like Container Imbalance Charges, Trade Imbalance charges or any other charges payable to the Liner. No other charges other than the quoted Freight rate will be paid by BHEL excepting applicable Terminal Handling Charges, Container cleaning Charges, DO charges to Shipping Liner at Discharge Port. If any deviation is taken by Tenderer, a suitable loading on the freight rate per MT shall be considered by BHEL for arriving at the Total landed Cost.

For CFR terms, moved through BREAK BULK BASIS (Suppliers should clearly specify this in their offer) it would be presume by BHEL that the freight charges quoted is on LILO (LINER IN LINER OUT) basis.

In case of shipment through Containers on CFR basis, the BL should bear the endorsement that "14 free days for Container Detention is applicable".

FOB incoterms:

The available load ports for FCL (Full Container Load) Cargo in Freight Contract are Antwerp, Hamburg, Genoa, Rotterdam, Bilbao, Gothenberg, Felixstowe, St.Petersberg, Busan, Dalian, Shanghai, Kobe, Osaka, Yokohama.

The available load ports for LCL (Less than Container Load) Cargo in Freight Contract are Antwerp, Hamburg, Genoa, Rotterdam, Bilbao, Gothenberg, Felixstowe, Thamesport, Tilbury, Le Harve, St.Petersberg, Busan, Masan, Dalian, Shanghai, Tianjin, Kobe, Osaka, Yokohama, Singapore, Durban.

The available load ports for BB (Break Bulk) Cargo in Freight Contract are Antwerp, Hamburg, Genoa.

11. Payment Terms (Indigenous)

Payment term is "100% direct EFT payment after 45 days from the date of receipt and acceptance of materials at BHEL Stores".

The duplicate copy of the invoice meant for the transporters should accompany the material as stipulated under C.E. rules 52a and 173c (or) 57gg. A Photostat copy of the above invoice for each Delivery Chelan should be submitted along with the original bills routed through bank or submitted directly to BHEL finance department.

Any deviation in the above payment term will attract loading as mentioned below. "Base rate of SBI (as applicable on the date of bid opening. Techno-commercial bid opening in case of two part bids) + 6% shall be considered for loading for the period of relaxation sought by bidders.

Payment other than credit payment will not be acceptable & will be rejected.

Offers of indigenous Suppliers with payment terms as LC / Advance Payment, Payment through bank etc. will be rejected.

Payment term for supply portion(For import supplies)

BHEL Payment term is 100% payment on CAD basis after 45 days from the date of receipt of documents, specified in PO, at BHEL bank. Respective bank charges to respective account.

Any deviation in the above payment term will attract loading as mentioned below :

"Base rate of SBI (as applicable on the date of bid opening. Techno

Commercial bid opening in case of two part bids) + 6% shall be considered for loading for the period of relaxation sought by bidders.

If the LC payment is insisted, TWO sets of original TCs to be submitted prior to dispatch and a certificate to that effect from BHEL should form a part of the documents to be negotiated. If this condition is not complied by the vendor, the offer is liable for rejection.

In the case of Usance LCs the loading will be considered @ 1.5% on the offered Value.

For LC at sight the loading will be considered @ 3.5% on the offered Value.

Offers with payment terms as Advance payment, CAD at sight and Confirmed LCs etc will be rejected.

Payment terms for Indian agent:

Indian Agency Commission ,if any, shall be clearly specified in the offer and the same will be paid in Indian Rupees against acceptance of the materials

INDIAN AGENTS OF FOREIGN SUPPLIERS :

BHEL shall deal directly with foreign vendors, wherever required, for procurement of goods. However, if the foreign principal desires to avail of the services of an Indian agent, then the foreign principal should ensure compliance to regulatory guidelines - which require mandatory submission of an Agency Agreement

It shall be incumbent on the Indian agent and the foreign principal to adhere to the relevant guidelines of Government of India, issued from time to time.

If the offer is submitted by Agents, duly signed agency agreement shall be submitted along with the offer in Techno-Commercial bid. The Agency Agreement should specify the precise relationship between the foreign OEM / foreign principal and their Indian agent and their mutual interest in the business. All services to be rendered by agent/ associate, whether of general nature or in relation to the particular contract, must be clearly stated by the foreign supplier/ Indian agent. Any payment, which the agent or associate receives in India or abroad from the OEM, whether as commission or as a general retainer fee should be brought on record in the Agreement and be made explicit in order to ensure compliance to laws of the country.

Any agency commission to be paid by BHEL to the Indian agent shall be in Indian currency only.

Tax deduction at source is applicable to the agency commission paid to the Indian agent as per the prevailing rules.

In the absence of any agency agreement, BHEL shall not deal with any Indian agent (authorized representatives / associate / consultant, or by whatever name called) and shall deal directly with the foreign principal only for all correspondence and business purposes.

The supply and execution of the Purchase Order (including indigenous supplies/ service) shall be in the scope of the OEM/ foreign principal. The OEM/ foreign principal should submit their offer inclusive of all indigenous supplies/ services and evaluation will be based on 'total cost to BHEL'. In case OEM/ foreign principal recommends placement of order(s) on Indian supplier(s)/ agent on their behalf, the credentials/ capacity/ capability of the Indian supplier(s)/ agent to make the supplies/ services will be checked by BHEL, before opening of price bids. It will be the responsibility of the OEM/ foreign principal to get acquainted with the evaluation requirements of Indian supplier/ agent as per SEARP available on www.bhel.com.

The responsibility for successful execution of the contract lies with the OEM/ foreign principal.

Either the Indian agent on behalf of the Principal/OEM or Principal/OEM itself can bid but both cannot bid simultaneously for the same item in the same tender. If offer is received by both Indian agent and Principal/OEM, then the offer from Principal/OEM only will be considered.

If an agent submits bid on behalf of the Principal/OEM, the same agent shall not submit bid on behalf of another Principal/OEM for the same item. If an agent submits bid on behalf of more than one Principal/OEM for a single item, his offer will be completely rejected for the concerned item.

12. Liquidated Damages / Penalty:-

The delivery of the goods specified in the purchase order should be made within the time prescribed. LD for delay in 'Supply' and/or 'E&C' will be applicable to the delays attributed to vendor. LD will be considered separately for 'Delivery' and 'E&C'. Where the seller supplies or dispatches the goods, beyond the delivery period Liquidated damages shall be applicable 0.5% of the total order value per week or part thereof subject to a maximum of 10% of the total order value.

**** In case of single delivery date , Order should be completed 100% for processing the bill, otherwise LD will be calculated based on Total PO Value restricted to Max % as mentioned in the PO Condition column**

Material Despatched after Due date: Once the delivery due date is crossed, bills have to be clubbed till final despatch and forwarded for processing of payment as a single bunch. LD percentage will be calculated from Delivery due date to final despatch date.

The rate of LD for delayed E&C shall be @ 0.5% per week of delay of total PO value (Supply + E&C) in E&C subject to a maximum of 10% of total PO value (Supply + E&C).

For staggered delivery schedule, LD shall be 0.5% of the undelivered portion per week of the delay or part thereof subject to a maximum of 10% of the total order value.

Any deviation from the above LD clause, loading will be applied to the extent to which it is not agreed by the bidder (at offered value).

For the purpose of Imposing LD, the FOB delivery (B/L date) shall be considered

13. If Guarantee / Warranty period is applicable as per tender specification, No deviation permitted and deviated offers are liable for rejection.

14. IMPORTANT NOTE: BHEL WILL CONSIDER THE RANKING AFTER THE LOADING IS APPLIED AS REFERRED ABOVE WHEREVER DEVIATIONS ARE OBSERVED.

15. No revision of prices will be entertained at any circumstances after tenders are opened.

16. If any sales tax is payable as extra to the quoted price it should be specifically stated in quotations along with CST & VAT Number failing which the purchaser will not be liable for payment of sales tax. Our TIN 33243560005 dt.01.01.2007 & CST no 239383 DT, 11.06.1991

17. On the due date of tender opening, only the technical bids will be opened. Technical bids will be evaluated by us and clarifications required, if any, will be called for from the bidders on technical and commercial points. The price bids of techno-commercially suitable bidders will be opened at a later date with prior intimation to respective suitable bidders.

18. Cost Evaluation

Evaluation will be done on the basis of "Total landed cost to BHEL".

For evaluation, the exchange rate (TT selling rate of SBI) on the date of Part-I bid opening shall be considered. If the relevant day happens to be a bank holiday, then the forex rate as on the previous working day shall be considered.

BHEL will consider the ranking after the loading is applied as referred above, wherever deviations are observed. Ranking (L-1, L-2 etc.) will be done only for the Techno-Commercially acceptable offers.

Normally BHEL reserves the right to place order for individual items with different vendors. At special circumstance ranking shall be done on compatible basis which will be indicated through Enquiry special instruction General Notes.

In the event of more than one vendor becoming L-1 for any of the item / items, the enquiry quantity for those item / items may be shared equally among all the L1 vendors.

19. BHEL reserves the right to increase or decrease the tender quantity and split up the tender quantity among more than one vendor at the lowest acceptable price to BHEL and place order accordingly in any proportion at our own discretion.

20. Lowest price received against BHEL tenders need not be the technically acceptable one and in that case BHEL reserves the right not to consider the same. The purchaser shall be under no obligation to accept the lowest or any other tender and shall be entitled to accept or reject any tender in part or full without assigning any reason whatsoever.

21. BHEL reserves the right to negotiate or refloat the tender opened, if L1 price is not the lowest acceptable price to BHEL due to inter-alia other reasons.

22. **PACKING AND MARKING:** The supplier shall arrange for securely protecting and packing the stores to avoid loss or damages during transit.

23. **RISK PURCHASE:** Alternatively the purchaser at his option will be entitled to terminate the contract and to purchase elsewhere at the risk and cost of the seller either the whole of the goods or any part which the previous supplier has failed to deliver or dispatch within the time stipulated as aforesaid or if the same were not available, the best and the nearest available substitutes therefore. The supplier shall be liable for any loss, which the purchaser may sustain by reason of such risk purchases in addition to penalty at the rate mentioned in our LD clause.

24. **PREFERENTIAL DELIVERY:** (Applicable in the case of BHEL's Enquiry specifies Preferential Delivery in the Special Instructions) It should be noted if a contract is placed on a higher tendered as a result of this invitation to tender in preference to the lowest acceptable offer in consideration of the earlier delivery, the seller will be liable to pay to the purchaser the difference between the contract rate and that of the lowest acceptable tender on the basis of final price F.O.R destination, including all elements of freights, Sales tax, duties and other incidents, incidental in case of failure to complete supplies in terms of such contract within the date of delivery specified in the tender and incorporated in the contract, such difference amount in addition to penalty at the rate mentioned in our LD clause.

25. **CENVAT CREDIT:** If any Excise Duty is payable, the Chapter Head / Sub-head reference and the rate of the duty should be quoted. If the Tenderer is availing CENVAT credit for this input material, the effect of Performa credit should be passed on to the purchaser. Tenderer under "CENVAT" shall be preferred.

26. Any other conditions which might have been quoted by the seller and are in contravention to the terms prescribed in the order and which have not been specifically accepted by purchaser in written will not be applicable to the contract.

27. The bidder may also be a Micro and Small Enterprises (MSE) vendor registered as per MSE act. As per the public procurement policy notified by the Central government,

20% of the tendered quantity is earmarked for MSE suppliers in this tender.

Out of the 20% tendered quantity reserved for MSE suppliers, 4% shall be earmarked for procurement from MSE owned by SC / ST entrepreneurs.

In case MSE vendor participating in the tender quotes within the price band of L1 + 15%, they will be allowed to supply the portion of the requirement subject to acceptance of L1 price by MSE vendor. In case of more than one such MSE, the supply shall be shared proportionately.

"MSE suppliers can avail the intended benefits only if they submit along with the offer, attested copies of either EM II certificate having deemed validity (five years from the date of issue of acknowledgement in EM, II) or valid NSIC certificate or EM II certificate along with attested copy of a CA certificate (Format enclosed at Annexure -V where deemed validity of EM II certificate of five years has expired)

applicable for the relevant financial year (latest audited). Date to be reckoned for determining the deemed validity will be the date of bid opening (Part 1 in case of two part bid). Non submission of such documents will lead to consideration of their bid at par with other bidders. In case any improper / lack of documents is there vendor on their own interest may submit all the relevant documents as stated above before price bid opening.

No benefit shall be applicable for this enquiry if any deficiency in the above required documents are not submitted before price bid opening. **Documents should be notarized or attested by a Gazetted officer for consideration of MSE certificate. "**

Such Micro/Small Enterprises registered vendors must state the sub-category to which they belong and submit documentary proof for the same. The sub-categories:

- (a) Enterprises owned by Scheduled Castes.
- (b) Enterprises owned by Scheduled Tribes.
- (c) Enterprises owned by other than above two categories

The enterprises under (a) & (b) means the proprietor in case of single owned firm and all partners in case of partnership firm and all directors in case of private/public limited must belong to SC/ST category

28. For verification of data submitted towards evaluation of bidder's capability, BHEL may decide to visit the bidder(s) works. Any fact found deviating from submitted data shall make the bidder liable to be disqualified.

29. In the event of more than one vendor becoming L1 for any of the item / items, the enquiry quantity for those item / items will be shared equally among all the L1 vendors.

30. The correspondence between the bidder and BHEL through email is considered as valid document Legally though not signed. It is treated as valid confirmations made on behalf of the respective company and comes under the legal ambit of the business transaction and hence binding on both the parties. If any difference is found in the terms in the Techno-commercial bid and price bid, the terms mentioned in the Techno-Commercial Bid & clarification sought through mail acceptable by BHEL will be considered.

31. Equipment will be inspected and proved at vendor's works prior to dispatch, if applicable as per tender condition. However final inspection and acceptance of equipment will be after installation at BHEL, Trichy.

32. Erection / commissioning charges , if applicable as per tender condition will be clearly mentioned in the offer or else confirmation that Erection / commissioning shall be done at free of cost is available in the offer.

33. Price shall be quoted item wise.

34. Any warranty replacement during warranty period shall be supplied free of charge on FOR BHEL, TIRUCHIRAPALLI basis

35. The vendor shall provide necessary drawings, Test Certificates and Operating Maintenance Manuals etc., as called for in the Technical Specification, in the required number of copies at no extra cost.

36. Part Shipment or Transshipment is not permissible (For import supplies)

37. In case of any short shipment in the main equipment / spares, where separate rates are not available in the contract, the customs duty levied on such supplies, shall be borne by the supplier / Indian agent.(For import supplies)

38. Indicate Nearest airport & sea port, Country of Origin .(For import supplies)

39. Vendors Meeting Our Pre-Qualification Criteria & Technical Specification Will Be Essential For Consideration Of Offer.

40. For The Vendor Willing To Participate In Tender Opening, The Representative Should Have Valid Company ID Proof & Authorization Letter From The Concerned Firm Who Has Submitted The Offer.

41. After Technical Scrutinisation Of The Offers, Price Bid Of Only Technically Qualified Vendors Will Be Opened With Prior Intimation.

42. If The Due Date Of Tender Opening Happens to be a Holiday, Those Tenders Will Be Opened On Next Working Days

43. For any clarification you can contact to pgavictor@bheltry.co.in , surajkumar@bheltry.co.in

44. This Tender Is Hosted Both In Bhel Website And In NIC, PSU Portal And Any Corrigendum May PI Be Viewed in BHEL's website <http://www.bhel.com> (Tender Notification page)

Govt. Tender website <http://tenders.gov.in> (Public sector units > Bharat Heavy Electricals Limited Page)

45. If we receive offer from both Manufacturer and their Agent / Dealer or any other, the offer of Manufacturer only will be considered . Either the Indian agent on behalf of the Principal/OEM or Principal/OEM itself can bid but both cannot bid simultaneously for the same item in the same tender. If offer is received by both Indian agent and Principal/OEM, then the offer from Principal/OEM only will be considered.

If an agent submits bid on behalf of the Principal/OEM, the same agent shall not submit bid on behalf of another Principal/OEM for the same item. If an agent submits bid on behalf of more than one Principal/OEM for a single item, his offer will be completely rejected for the concerned item.

46. ARBITRATION : All disputes or differences whatsoever which may arise at any time during execution of the Contract shall be mutually settled by BHEL Trichy and Vendor as per provision of the Contract. However, in the event such disputes cannot be settled mutually, such disputes shall be settled as per the Arbitration and reconciliation Act, 1996 of the Govt. of India and its subsequent amendments. In case of disputes with the Central PSUs, the same shall be settled at Tiruchirapalli as per the Guidelines of the Govt. of India. However, during the period such disputes are settled either by mutual discussions between the parties or by legal means, Vendor shall continue to do the work as per terms & conditions of Contract.

47 The quality of the supplies should strictly conform to Technical specifications applicable for the item. The offer should specifically confirm this.

48 If any quality problem is pointed out by any BHEL unit w.r.t. supplied material, the same shall be settled and corrected immediately with the concerned BHEL unit, by the supplier. If there is any failure by the supplier to settle such quality problems, the matter will be considered very seriously and appropriate penal action may be initiated against the respective supplier.

49. BHEL shall be at liberty to accept any tender, part or in full, at their discretion without giving any reason

50. Unloading at BHEL Unit / Site has to be done by the suppliers and BHEL will not be in a position to provide any handling / unloading facilities.

51. If any quality problem is pointed out by any BHEL unit w.r.t. supplied material, the same shall be settled and corrected immediately with the concerned BHEL unit, by the supplier. If there is any failure by the supplier to settle such quality problems, the matter will be considered very seriously and appropriate penal action may be initiated against the respective supplier.

52.The supplier shall arrange for securely protecting and packing the material to avoid loss or damages during transit.

53.Tender evaluation will be carried out on the basis of Technical Specifications and Commercial Terms and Conditions specified in the tender documents and changes thereof (if any) will be communicated to all bidders before Price Bid Opening / Reverse Auction.

54.There is no minimum quantity for placement of purchase order.

Annexure-V

Certificate by Chartered Accountant on letter head

This is to Certify that M/S
(hereinafter referred to as 'company') having its registered office at
..... is registered under MSMED Act 2006, (Entrepreneur
Memorandum No (Part—II) dtd.....
Category:(Micro/Small)). (Copy enclosed).

Further verified from the Books of Accounts that the investment of the company as per the
latest audited financial year as per MSMED Act 2006 is as follows:

- 1. For Manufacturing Enterprises:** Investment in plant and machinery (i.e. original cost excluding land and building and the items specified by the Ministry of Small Scale Industries vide its notification No,S.0.1722(E) dated October 5, 2006 :
Rs.....Lacs
- 2. For Service Enterprises:** Investment in equipment (original cost excluding land and building and furniture, fittings and other items not directly related to the service rendered or as may be notified under the MSMED Act, 2006:
Rs...Lacs

(Strike off whichever is not applicable)

The above investment of RsLacs is within permissible limit of
Rs.Lacs forMicro / Small (Strike off which is not applicable)
Category under MSMED Act 2006.

Or

The company has been graduated from its original category (Micro/ Small) (Strike off which is not applicable) and the date of graduation of such enterprise from its original category is
(dd/mm/yyyy) which is within the period of 3 years from the date of graduation of such enterprise from its original category as notified vide S.O. No. 3322(E) dated 01.11.2013 published in the gazette notification dated 04.11.2013 by Ministry of MSME.

Date:

(Signature)

Name -

Membership number –

Seal of chartered accountant

ANNEXURE –A (CHECK LIST FOR TECHNICAL & COMMERCIAL TERMS CONFIRMATIONS)**(a).TECHNICAL TERMS CONFIRMATION: AGAINST ALL ENQ SL NOS (SUBMITTED IN COVER NO: 1)**

ENQ SL NO	BHEL SPECIFICATIONS	VENDOR'S SPECIFICATION	unit	Quantity	Consignment against each separately	weight each item	whether quoted/ not quoted
10							
20							
30							

(b).COMMERCIAL TERMS CONFIRMATION REQUIRED FROM SUPPLIERS (SUBMITTED IN COVER NO: 1)

SL NO	DESCRIPTION	BHEL REQUIREMENTS	Vendor to fill up
1	VALIDITY	MINIMUM 90 Days from Date of tender opening	
2	PRICE QUOTED	FOR BHEL TRICHY STORES INCLUSIVE OF PACKING & FORWARDING CHARGES.	
3	EXCISE DUTY WITH CESS (Whether inclusive (or) extra) Clearly mention the percentage	SUPPLIER TO QUOTE	
4	CVD charges if any (Whether inclusive (or) extra) Clearly mention the percentage	SUPPLIER TO QUOTE	
5	VAT % Clearly mention the percentage with& without form	SUPPLIER TO QUOTE	
6	CST % with& without c form Clearly mention the percentage	SUPPLIER TO QUOTE	
7	FREIGHT & INSURANCE CHARGES FOR DELIVERY AT BHEL / TRICHY STORES	SUPPLIER TO QUOTE IN % ONLY	
8	DEIVERY SCHEDULE FROM THE DATE OF PURCHASE ORDER / LETTER OF INTENT	SUPPLIER TO QUOTE IN NO. OF DAYS/ WEEKS	
9	PAYMENT TERMS	As per Clause 11 of Terms and Conditions of the Enquiry (Two Part Bid)	
10	LIQUIDATED DAMAGES CLAUSE	As per Clause 12 of Terms and Conditions of the Enquiry (Two Part Bid)	
11	RISK PURCHASE CLAUSE	As per Clause 23 of Terms and Conditions of the Enquiry (Two Part Bid)	
12	GUARANTEE / WARRANTY	AS PER TENDER CONDITION	
13	ERECTION / COMMISSIONING	AS PER TENDER CONDITION	
14.	Origin of dispatch	SUPPLIER TO QUOTE	
145	Nearest airport & sea port (For import supplies)	SUPPLIER TO QUOTE	
16	Country of Origin (For import supplies)	SUPPLIER TO QUOTE	
17	CONTACT PERSON DETAILS	NAME:	
		MOBILE NO:	
		LAND LINE NO:	
		EMAIL :	
		FAX:	

NOTE: a). -It is confirmed that all the terms and conditions stipulated in the Enquiry have been fully understood by us and all clarifications & details have been obtained.

b)Your specific acceptance to our Payment terms,LD & Risk Purchase Clause are essential for consideration of your offer.

c).No row shall be left blank. Please indicate NA, in case the item is "not applicable"

Full postal Address:

Signature & Office Seal of the vendor

ANNEXURE –B (MODEL PRICE BID FORMAT)

ENQ SL NO	BHEL SPECIFICATIONS	VENDOR'S SPECIFICATION	unit	quantity	Rate in Rs.	Value in Rs.
10						
20						
30						

PRICE BID FORMAT OF ALL QUOTED ITEMS, IF ANY ITEM YOUR ARE NOT QUOTED SIMPLY YOU SHOULD MENTION AS "NOT QUOTED" AGAINST THAT ENQ SL NO. . (SUBMITTED IN SEPARATE COVER NO: 2)

Annexure-VI

CHECK LIST TO BE SUBMITTED ALONG WITH OFFER

SL NO	Documents submitted	Vendor's Confirmation Yes/No
01.	Offer Submitted in 2 part bid system i.e. (I).Techno-Commercial Bid & (II).Price Bid inside a separate larger sealed envelope and this envelope shall be super scribed as "Techno-Commercial Bid and Price Bid" for Enquiry No:Dt.:Due Dt.:	
02.	Annexure-A part-(a).TECHNICAL TERMS CONFIRMATION & part (b).COMMERCIAL TERMS CONFIRMATION to be SUBMITTED ALONGWITH IN COVER NO: 1	
03.	Annexure-B- Price Bid to be SUBMITTED IN SEPARATE COVER NO: 2	
04.	Pre-Qualification Criteria fulfilled& documents Submitted	
05.	Documents/technical catalogues /DRAWINGS, (wherever as applicable) submitted as per tender condition	
06.	point to point confirmation provided as per tender condition	