



429-002/A

BHARAT HEAVY ELECTRICALS LIMITED

(A Government of India Undertaking)
HIGH PRESSURE BOILER PLANT
PURCHASE DEPARTMENT - FOSSIL BOILERS
THIRUCHIRAPALLI - 620014
TAMILNADU (INDIA)

Page
1/2

PHONE :2577938
GRAMS : BHARATELEC
FAX NO: 2520719
E-mail: tvenkat@bheltry.co.in
Web:

Enquiry No	Enquiry Date	Due Date for Quotation
2661500540 - 55	09.12.2015	31.12.2015
Please quote Enquiry No, Date and due date in all correspondences. This is only a request for quotation and not an order. Bid should be submitted in two parts. 1.Techno-commercial bid (Part-I) and 2.Price bid(Part-II) in a separate sealed cover and both covers must be placed in a third cover and sealed. Our Enquiry No., Enq. date & Enq. Due date must be written on all three covers.		

Item	Description	Unit	Quantity	Delivery Quantity	Schedule Date
10	GEAR BOX ASSY. (WET GRINDER) AS PER DRAWING: 2M 20C 60 05025 ALL PARTS ARE IN ASSEMBLED CONDITION. (SUB DRGS. NO. 3M 20C 60 15076, 3M 20C 60 15089, 4M 20C 60 29655, 3M 20C 60 12733-01, 4M 20C 60 27860-02, 3M 20C 60 15090, 4M 20C 60 29659, 4M 20C 60 29660, 3M 20C 60 15091, 4M 20C 60 29661, 4M 20C 60 29663-01). VENDOR QUALIFYING CRITERIA Only those vendors who satisfy the following conditions will get qualified to participate in the tender: 1.,,Vendor should have minimum 2 years of experience in this field. 2.,,Previous PO details for supplying similar kind of items to BHEL and/or any-other Organisation should be submitted along with offer. (Otherwise offer will be rejected.) 3.,,Company profile details has to be provided along with offer. 4.,,BHEL reserves the right to review/ visit the vendor's credentials/ works for verifying the manufacturing facilities and any other credential furnished by the vendor. In case the information furnished with the offers found to be false/ incorrect, the offer shall be rejected.	NO	4.000	4.00	12.12.16

General Note:
GENERAL NOTE:PLEASE SUBMIT YOUR OFFER IN "TWO PART BID SYSTEM" AS PER THE ANNEXURES ENCLOSED.
ENCLOSURES:ANNEXURE II,III,IV,V,VI,VII

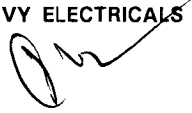
All the tenders may be addressed to the following address:

**The Tender Opening Cell / MM
Room No: 26, Building 24, Ground Floor
Bharat Heavy Electricals Limited**

The offers should reach us 30 minutes before the time of opening of tenders. The offers will be opened at 14.30 hrs on the due date of tender in the presence of tenderers who have submitted their offer and who may like to be present for the tender opening.Late and delayed offers are liable to be rejected.

V. CHELLIAH
Sr Manager / Purchase
MM / RM / CP & SP
BHEL, TRICHY - 620 014.

Yours faithfully,
For **BHARAT HEAVY ELECTRICALS LIMITED**



MANAGER / PURCHASE
(FOSSIL BOILERS)
Yours faithfully,



BHARAT HEAVY ELECTRICALS LIMITED

(A Government of India Undertaking)
HIGH PRESSURE BOILER PLANT
PURCHASE DEPARTMENT - FOSSIL BOILERS
THIRUCHIRAPALLI - 620014
TAMILNADU (INDIA)

PHONE :2577938
GRAMS : BHARATELEC
FAX NO: 2520719
E-mail: tvenkat@bheltry.co.in
Web:

2661500540 / 09.12.2015

23505

TIRUCHIRAPALLI 620014

In case personal delivery of the offer, it shall be dropped into the respective box kept in Room No: 26, after duly entering the data in the system.

Offers will be accepted only up to 14.00 Hrs on the due date. Therefore, vendors shall ensure to submit the offers well before this time. All due date extension requirements should be addressed to the respective Purchase mail IDs. All the due date extension requests from vendors will be considered only up to 48 hours before the due date and time.

Vendors are requested to avoid submission of offers through e mail / fax. In case of any unavoidable situation, offers shall be sent through e mail to the following mail ID only tender_cell@bheltry.co.in.

As tenders are being opened by Common Tender Opening Cell, offer covers should be sealed with tenderer's distinctive seal and super scribed with correct Tender No. item of supply and due date of opening.

The offers will be opened at 14.30 hrs on the due date of the tender in the presence of tenderers who have submitted their offer and who may like to be present for the tender opening. Late and delayed offers are liable to be rejected.

The bidder along with its associate/ collaborators/ sub-contractors/ sub-vendors/ consultants/ service providers shall strictly adhere to BHEL fraud prevention policy displayed on BHEL website <http://www.bhel.com> and shall immediately bring to the notice of BHEL management about any fraud or suspected fraud as soon as it comes to their notice.


Enclosures:

"LD clause has to be confirmed without fail."

The offers should reach us 30 minutes before the time of opening of tenders.
The offers will be opened at 14.30 hrs on the due date of tender in the presence of tenderers who have submitted their offer and who may like to be present for the tender opening. Late and delayed offers are liable to be rejected.

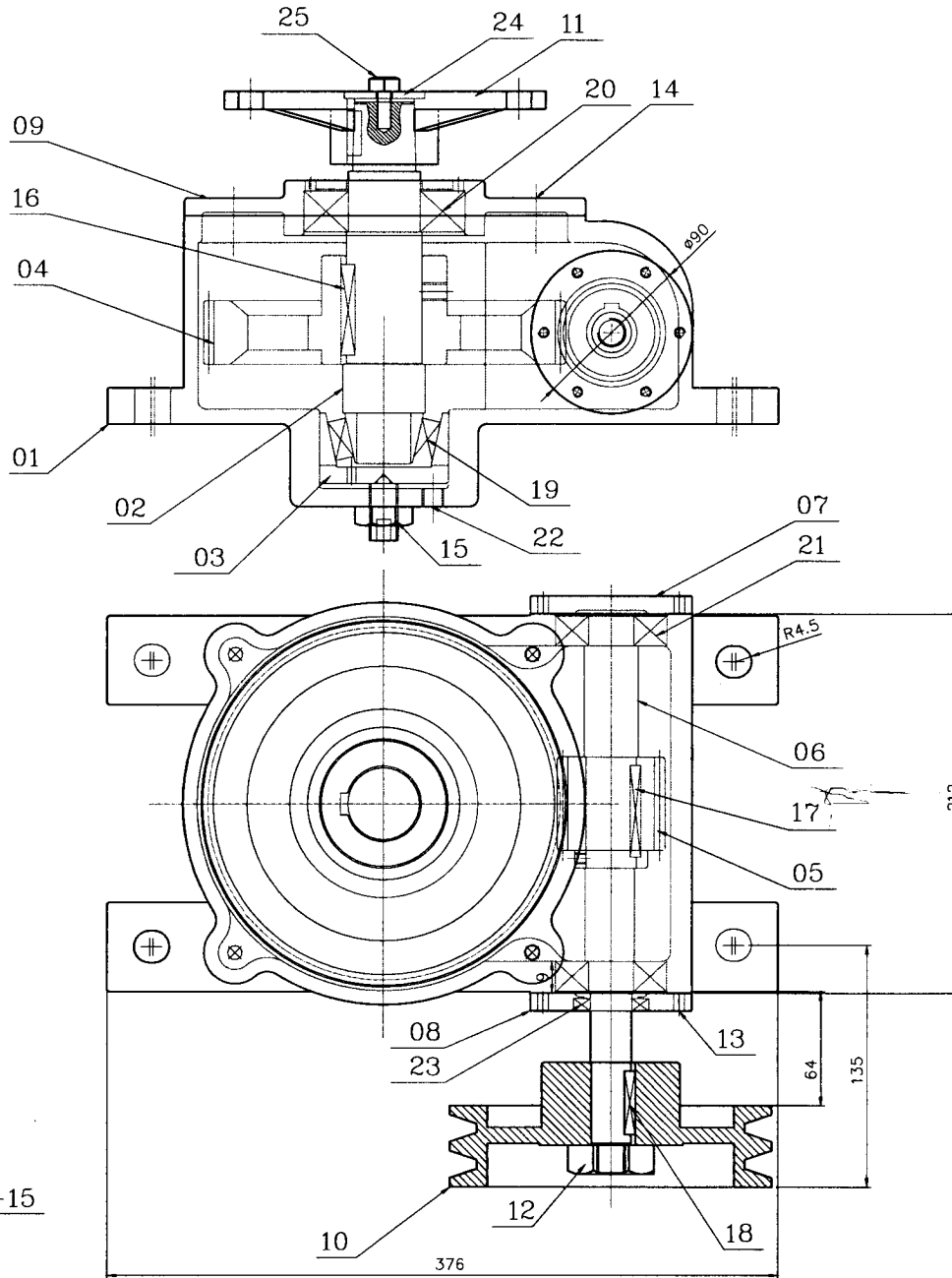
V. CHELLIAH
Sr Manager / Purchase
MM / RM / CP & SP
BHEL, TRICHY - 620 014.

Yours faithfully,
For BHARAT HEAVY ELECTRICALS LIMITED


MANAGER / PURCHASE
(FOSSIL BOILERS)
Yours faithfully,

THIS DRAWING IS OUR SOLE PROPERTY AND NOT TO BE REPRODUCED OR COPIED FOR ANY PURPOSE WITHOUT THE WRITTEN PERMISSION OF BHARAT HEAVY ELECTRICALS LIMITED

ALL DIMENSIONS ARE IN MM



ITEM NO-15

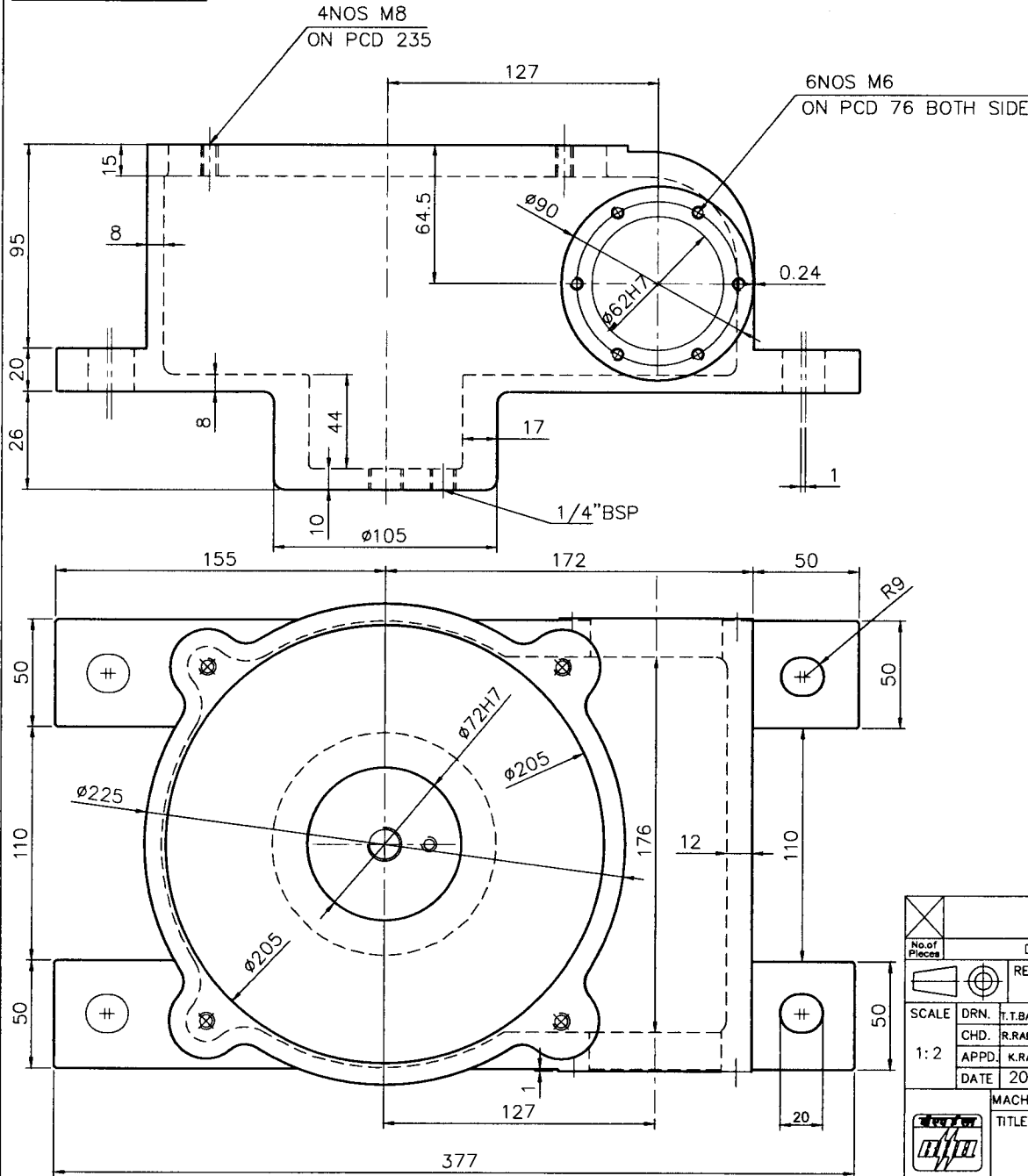
1	HEX.BOLT M8x10	BPS 41222	1368							25
1	SPACER ID9xOD45x4t									24
1	OIL SEAL OD42xID24x7t									23
1	M12x10 DRAIN PLUG	BPS 41222	1633 Part2							22
2	ANGULAR CONTACT BALL BEARING OD62xID25x17t No.7305 BE									21
1	ANGULAR CONTACT BALL BEARING OD90xID40x23t No.7308 BE									20
1	TAPER ROLLER BEARING No.32306 OD72xID30x28.25t									19
1	KEY 6x6x35L									18
1	KEY 6x7x50L									17
1	KEY 12x8x50L									16
1	M16 ADJUSTABLE LOCKING SCREW & NUT									15
4	HEX.SCREW M8x10	BPS 41222	1368							14
12	ALN.SCREW M6x10	8PS 41202								13
1	M16 LOCK NUT									12
1	FLANGE COUPLING							4M20C6029663		11
1	PULLEY							4M20C6029661		10
1	GEARBOX HOUSING COVER							3M20C6015091		09
1	END COVER							4M20C6029660		08
1	END COVER							4M20C6029659		07
1	DRIVE SHAFT							3M20C6015090		06
1	HELICAL PINION							4M20C6027860		05
1	HELICAL GEAR WHEEL							3M20C6012733		04
1	SPACER							4M20C6029655		03
1	MAIN SHAFT							3M20C6015089		02
1	GEARBOX HOUSING							3M20C6015076		01
No. of Places										
DESCRIPTION MATERIAL STANDARD NET.WT.IN KGS DRAWING No. ITEM No.										
REFERENCE: ALTERATIONS: DCN REF DATE SIGN. INDEX										
SCALE	ORN: T.BALAKRISHNAN	7.3.2013								
	CHD: R.RAMAMOORTHY									
1:2	APPD: K.RAMANAN									
	DATE 12/03/2013									
MACHINE: PORTABLE TUBE INSERT SCARFER				TYPE: KKK						
TITLE: GEARBOX ASSY (WET GRINDER)				DRAWING No: 2M20C60050215						
				Sheet No:		No. of Sheets:				

THIS DRAWING IS OUR SOLE PROPERTY AND IS NOT TO BE REPRODUCED OR USED FOR ANY PURPOSE WITHOUT THE WRITTEN PERMISSION OF BHARAT HEAVY ELECTRICALS LIMITED

ALL DIMENSIONS ARE IN MM

62H7	+0.025	72H7	+0.025
	+0.002		+0.002

1.6 / 0.8 /



NOTE: -

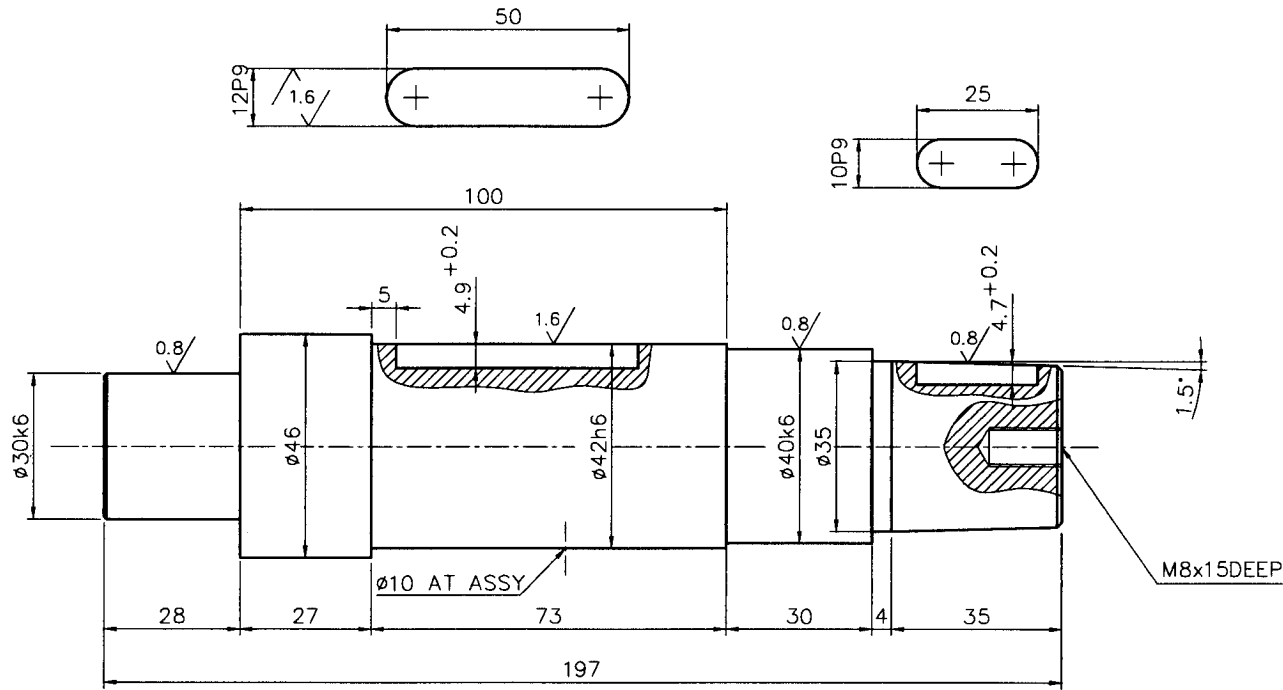
01. MATL.SHOULD BE FREE FROM CRACKS,BLOWHOLES AND POROSITY.
02. SHARP CORNERS TO BE REMOVED

		FG 220	IS: 210	2M20C6005025		01
No. of Pieces	DESCRIPTION	MATERIAL	STANDARD	NET.WT.IN KGS.	DRAWING No.	ITEM No.
	REFERENCE:	ALTERATIONS:		DCN REF	DATE	SIGN.
SCALE	DRN. T.T.BALAKRISHNAN					
	CHD. R.RAMAMOORTHY					
1:2	APPD. K.RAMANAN					
	DATE 20.03.13					
MACHINE: CANTEEN EQUIPMENT			TYPE: CANTEEN			
TITLE: GEARBOX HOUSING (WET GRINDER)			DRAWING No: 3M20C6015076			
			Sheet No:		No. of Sheets:	

THIS DRAWING IS OUR SOLE PROPERTY AND NOT TO BE REPRODUCED OR USED FOR ANY PURPOSE WITHOUT THE WRITTEN PERMISSION OF BHARAT HEAVY ELECTRICALS LIMITED

ALL DIMENSIONS ARE IN MM

30k6	+0.018	42h6	-0.000	12P9	-0.018	10P9	-0.015	1.6 / 0.8 /
40k6	+0.002		-0.016		-0.061		-0.051	



NOTE: -

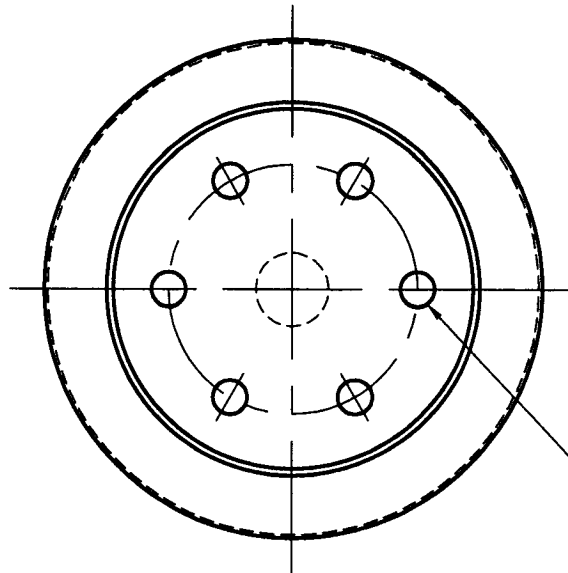
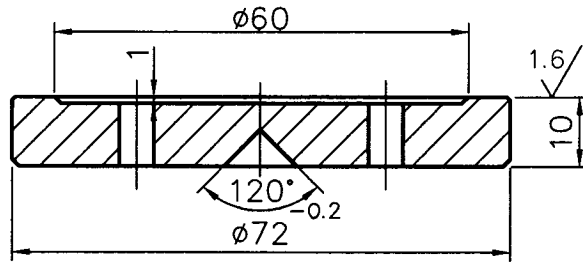
CHAMFER CORNERS FOR 1/45°

X		Ø46x197 L	45C8	IS:2004	2.14	2M20C6005025	02
No. of Pieces	DESCRIPTION		MATERIAL	STANDARD	NET.WT.IN KGS.	DRAWING No.	ITEM No.
	REFERENCE:		ALTERATIONS:		DCN REF	DATE	SIGN.
SCALE	DRN.	T.T.BALAKRISHNAN					
	CHD.	R.RAMAMOORTHY					
1:1	APPD.	K.RAMANAN					
	DATE	20.03.13					
MACHINE: CANTEEN EQUIPMENT			TYPE: CANTEEN				
TITLE:			DRAWING No:				
MAIN SHAFT Ø46x197 L (WET GRINDER)			3M20C6015089				
			Sheet No:		No. of Sheets:		

CAUTION: THIS DRAWING IS OUR SOLE PROPERTY AND SHOULD NOT BE USED IN ANY FORM FOR ANY PURPOSE WITHOUT THE WRITTEN PERMISSION OF BHARAT HEAVY ELECTRICALS LIMITED

ALL DIMENSIONS ARE IN MM

3.2//1.6/



HOLE 6-6NOS.
ON PCD36

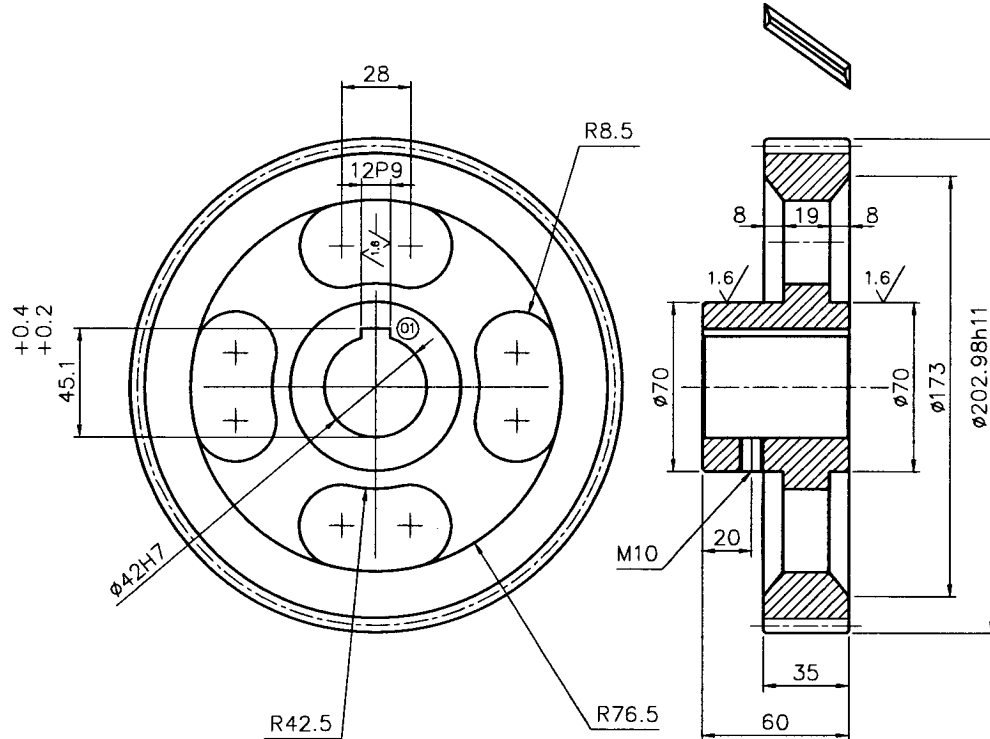
NOTE: -
CHAMFER CORNERS FOR 1/45°

X		ø72x10 L	45C8	IS: 2004	0.31	2M20C6005025	03
No. of Pieces	DESCRIPTION		MATERIAL	STANDARD	NET.WT.IN KGS.	DRAWING No.	ITEM No.
		REFERENCE:	ALTERATIONS:		DCN REF	DATE	SIGN.
SCALE	DRN.	T.T.BALAKRISHNAN					
1:1	CHD.	R.RAMAMOORTHY					
	APPD.	K.RAMANAN					
	DATE	20.03.13					
MACHINE: CANTEEN EQUIPMENT			TYPE: CANTEEN				
	TITLE: SPACER OD72x10T (WET GRINDER)			DRAWING No:		4M20C6029655	
				Sheet No:		No. of Sheets:	

THIS DRAWING IS OUR SOLE PROPERTY AND SHOULD NOT BE USED IN ANY FORM FOR ANY PURPOSES WITHOUT THE WRITTEN PERMISSION OF BHARAT HEAVY ELECTRICALS LIMITED

ALL DIMENSIONS ARE IN MM

12P9	-0.018	42H7	+0.025	ø202.98h11	-0.000	3.2/1.6/√
	-0.061		+0.002		-0.290	



NO. OF TEETH	56
MODULE	2.5
PRESSURE ANGLE	20°
HELIX ANGLE	45°
HAND OF HELIX	RH
WIDTH ACROSS 5 TEETH	119.57 ^{-0.158} _{-0.210}
CORRECTION FACTOR	NIL
QTY. & TOL. ZONE	9c DIN 3967
MATING GEAR NO. OF TEETH	15
MATING GEAR DRAWING NO.	4M20C6027860
CENTRE DISTANCE	127

NOTE: -
CHAMFER CORNERS FOR 2/45°

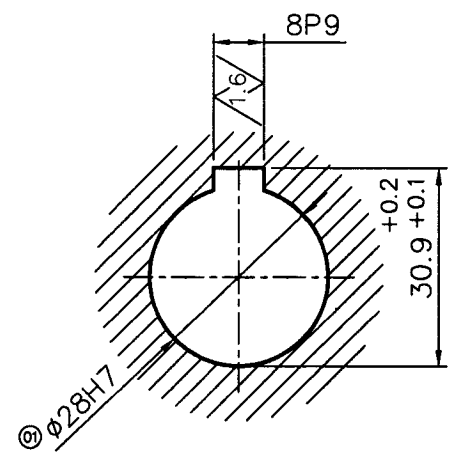
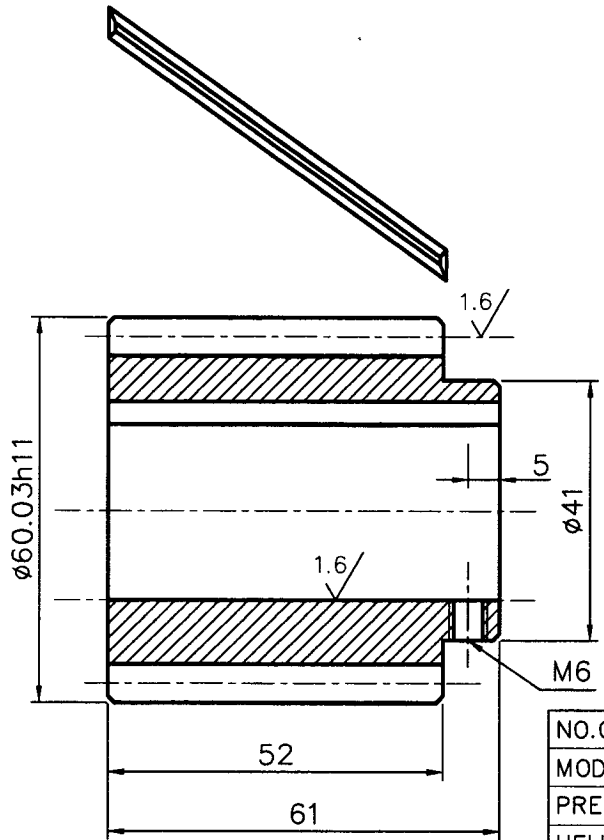
No. of Pieces		FG 220	IS: 210	5.6	2M20C6005025	04
DESCRIPTION		MATERIAL	STANDARD	NET.WT. IN KGS.	DRAWING No.	ITEM No.
REFERENCE:		ALTERATIONS:		DCN REF	DATE	SIGN.
		KEY WAY ADDED			17.04.13	K.RAMANAN
SCALE	DRN. P. ALBERT ROSS					
1:2	CHD. R. RAMAMOORTHY					
	APPD. C.S. JAYASHEELAN					
	DATE 27.03.87					
MACHINE: CANTEEN EQUIPMENT			TYPE: CANTEEN			
TITLE:		DRAWING No:		INDEX		
HELICAL GEAR WHEEL		3M20C601273301				
56 T/ø202.98		Sheet No:		No. of Sheets:		
(WET GRINDER)						

CAUTION: THIS DRAWING IS OUR SOLE PROPERTY AND SHOULD NOT BE USED IN ANY FORM FOR ANY PURPOSE WITHOUT THE WRITTEN PERMISSION OF BHARAT HEAVY ELECTRICALS LIMITED

ALL DIMENSIONS ARE IN MM

ø60.03 h11	-0.000	8 P9	-0.015
	-0.190		-0.051
ø28H7	+0.021		
	+0.000		

3.2//1.6/0.8/



NO. OF TEETH	15
MODULE	2.5
PRESSURE ANGLE	20°
HELIX ANGLE	45°
HAND OF HELIX	RH
WITH ACROSS 5 TEETH	35.27 -0.141 -0.188
CORRECTION FACTOR	+0.4
QTY. & TOL. ZONE	9c DIN 3967
MATING GEAR NO. OF TEETH	56
MATING GEAR DRAWING NO:	3M20C6012733
CENTRE DISTANCE	127

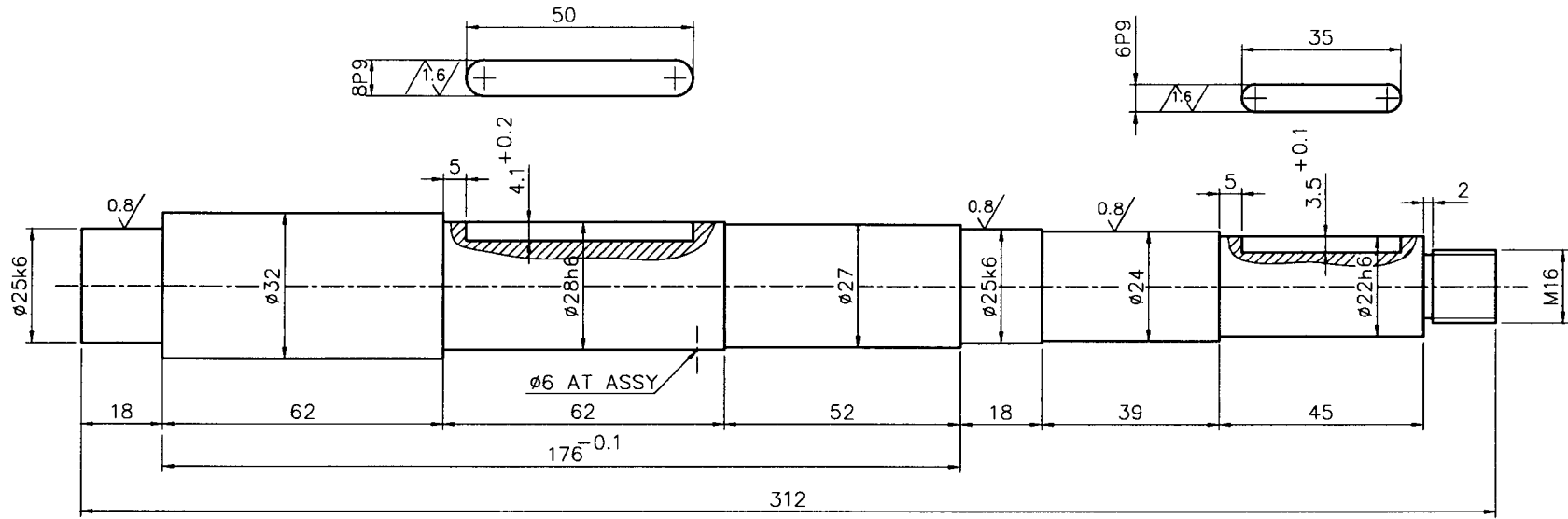
NOTE: -
 CHAMFER CORNERS FOR 1/45°
 HARDENED TO HRC 35 ±2

No. of Pieces		DESCRIPTION		MATERIAL	STANDARD	NET.WT. IN KGS.	DRAWING No.	ITEM No.		
X		ø61x61 L		55C8	IS: 5517	1.05	2M20C6005025	05		
SCALE 1:1	DRN.	P.A. ROSS			ALTERATIONS:		DCN REF	DATE	SIGN.	INDEX
	CHD.	R. RAMAMOORTHY			ø28 WAS ø26			17.04.13	K. RAMANAN	01
	APPD.	K. RAMANAN			MATERIAL WAS CHANGED			02.06.14	RRM	02
	DATE	06.06.2006								
MACHINE: CANTEEN EQUIPMENT					TYPE: CANTEEN					
TITLE: HELICAL PINION OD60.30x15T (WET GRINDER)					DRAWING No: 4M20C602786002					
Sheet No:					No. of Sheets:					

THIS DRAWING IS OUR SOLE PROPERTY AND IS NOT TO BE REPRODUCED OR USED FOR ANY PURPOSE WITHOUT THE WRITTEN PERMISSION OF BHARAT HEAVY ELECTRICALS LIMITED

ALL DIMENSIONS ARE IN MM

25k6	+0.015 +0.002	22h6	+0.015 +0.000	28h6	+0.015 +0.000	8P9	-0.015 -0.051	6P9	-0.012 -0.042	1.6 / 0.8 /
------	------------------	------	------------------	------	------------------	-----	------------------	-----	------------------	-------------



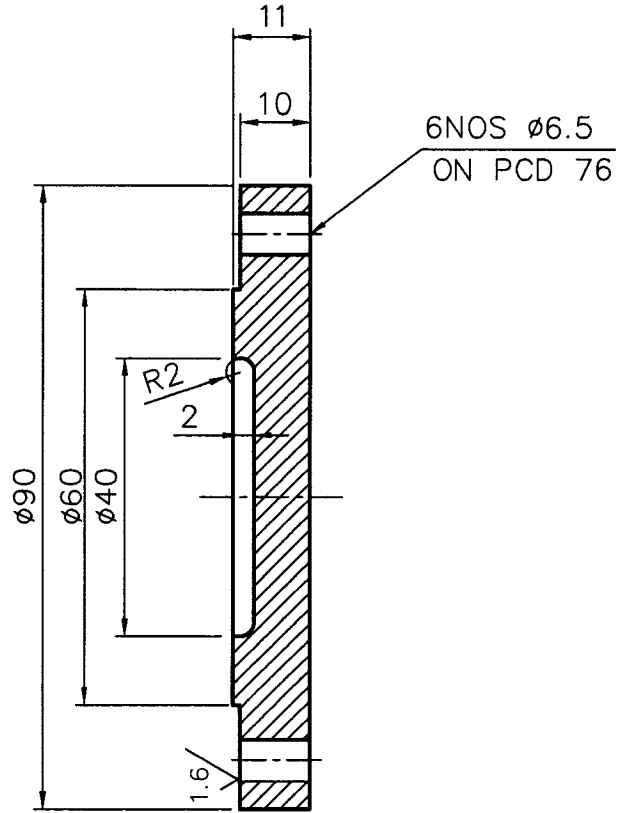
NOTE: -
AVOID SHARP CORNER

X		Ø32x312 L	45C8	IS: 2004	1.74	2M20C6005025	06
No. of Pieces	DESCRIPTION		MATERIAL	STANDARD	NET.WT.IN KGS.	DRAWING No.	ITEM No.
	REFERENCE:		ALTERATIONS:		DCN REF	DATE	SIGN.
SCALE	DRN.	T.T.BALAKRISHNAN					
	CHD.	R.RAMAMOORTHY					
1:1	APPD.	K.RAMANAN					
	DATE	20.03.13					
MACHINE: CANTEN EQUIPMENT			TYPE: CANTEN				
TITLE:			DRAWING No:				
			DRIVE SHAFT (WET GRINDER)		3M20C6015090		
					Sheet No:		No. of Sheets:

CAUTION: THIS DRAWING IS OUR SOLE PROPERTY AND SHOULD NOT BE USED IN ANY FORM FOR ANY PURPOSE WITHOUT THE WRITTEN PERMISSION OF BHARAT HEAVY ELECTRICALS LIMITED

ALL DIMENSIONS ARE IN MM

3.2//1.6/



NOTE: -
CHAMFER CORNERS FOR 1/45°

No. of Pieces		DESCRIPTION		MATERIAL	STANDARD	NET.WT.IN KGS.	DRAWING No.	ITEM No.
SCALE		DRN.	T.T.BALAKRISHNAN					
1:1		CHD.	R.RAMAMOORTHY					
		APPD.	K.RAMANAN					
		DATE	20.03.13					
MACHINE: CANTEN EQUIPMENT				TYPE: CANTEN				
TITLE:				DRAWING No:				
END COVER OD90x11t				4M20C6029659				
(WET GRINDER)				Sheet No:				No. of Sheets:

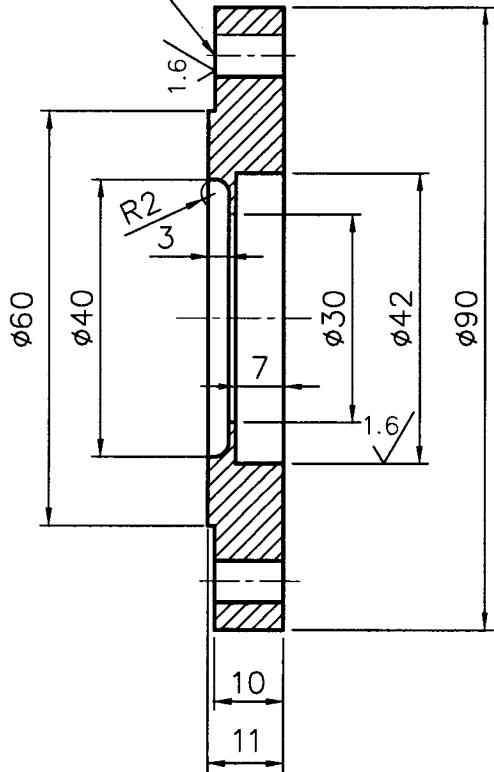
THIS DRAWING IS OUR SOLE PROPERTY AND SHOULD NOT BE USED IN ANY FORM FOR ANY PURPOSE WITHOUT THE WRITTEN PERMISSION OF BHARAT HEAVY ELECTRICALS LIMITED

CAUTION:

ALL DIMENSIONS ARE IN MM

3.2//1.6/

6NOS $\phi 6.5$
 ON PCD 76



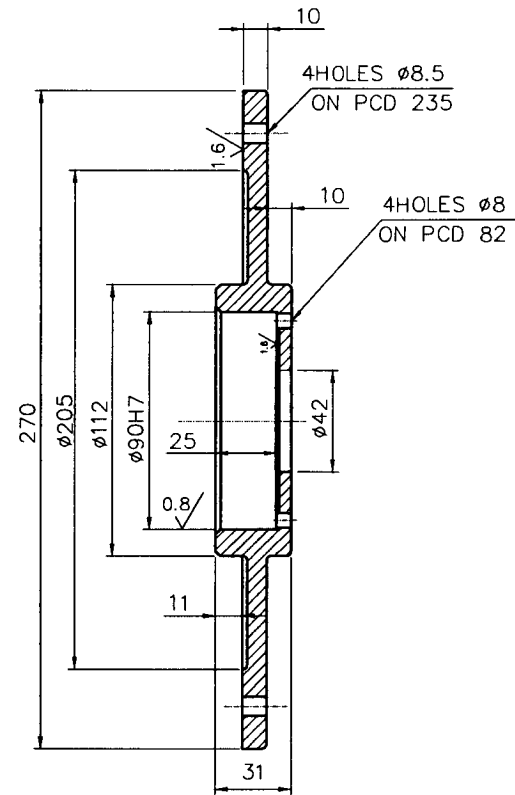
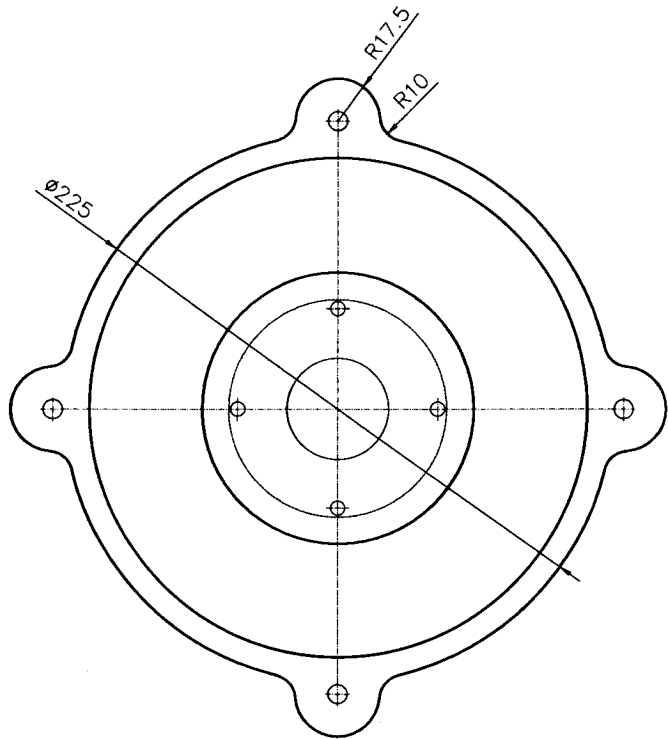
NOTE: -
 CHAMFER CORNERS FOR 1/45°

	$\phi 90 \times 11t$	45C8	IS: 2004	0.426	2M20C6005025	08
No. of Pieces	DESCRIPTION	MATERIAL	STANDARD	NET.WT.IN KGS.	DRAWING No.	ITEM No.
	REFERENCE:	ALTERATIONS:		DCN REF	DATE	SIGN.
SCALE 1:1	DRN.	T.T.BALAKRISHNAN	<i>T. T. Balakrishnan</i>			
	CHD.	R.RAMAMOORTHY				
	APPD.	K.RAMANAN				
	DATE	20.03.13				
	MACHINE: CANTEEN EQUIPMENT			TYPE: CANTEEN		
	TITLE: END COVER $\phi 90 \times 11t$ (WET GRINDER)			DRAWING No: 4M20C6029660		
				Sheet No: No. of Sheets:		

THIS DRAWING IS OUR SOLE PROPERTY AND SHOULD NOT BE USED IN ANY FORM FOR ANY PURPOSES WITHOUT THE WRITTEN PERMISSION OF BHARAT HEAVY ELECTRICALS LIMITED

ALL DIMENSIONS ARE IN MM

$\phi 90H7$ $\frac{-0.012}{-0.042}$ $\sqrt{1.6 / 0.8}$



NOTE: -

- 01. MATL.SHOULD BE FREE FROM CRACKS,BLOWHOLES AND POROSITY.
- 02. SHARP CORNERS TO BE REMOVED

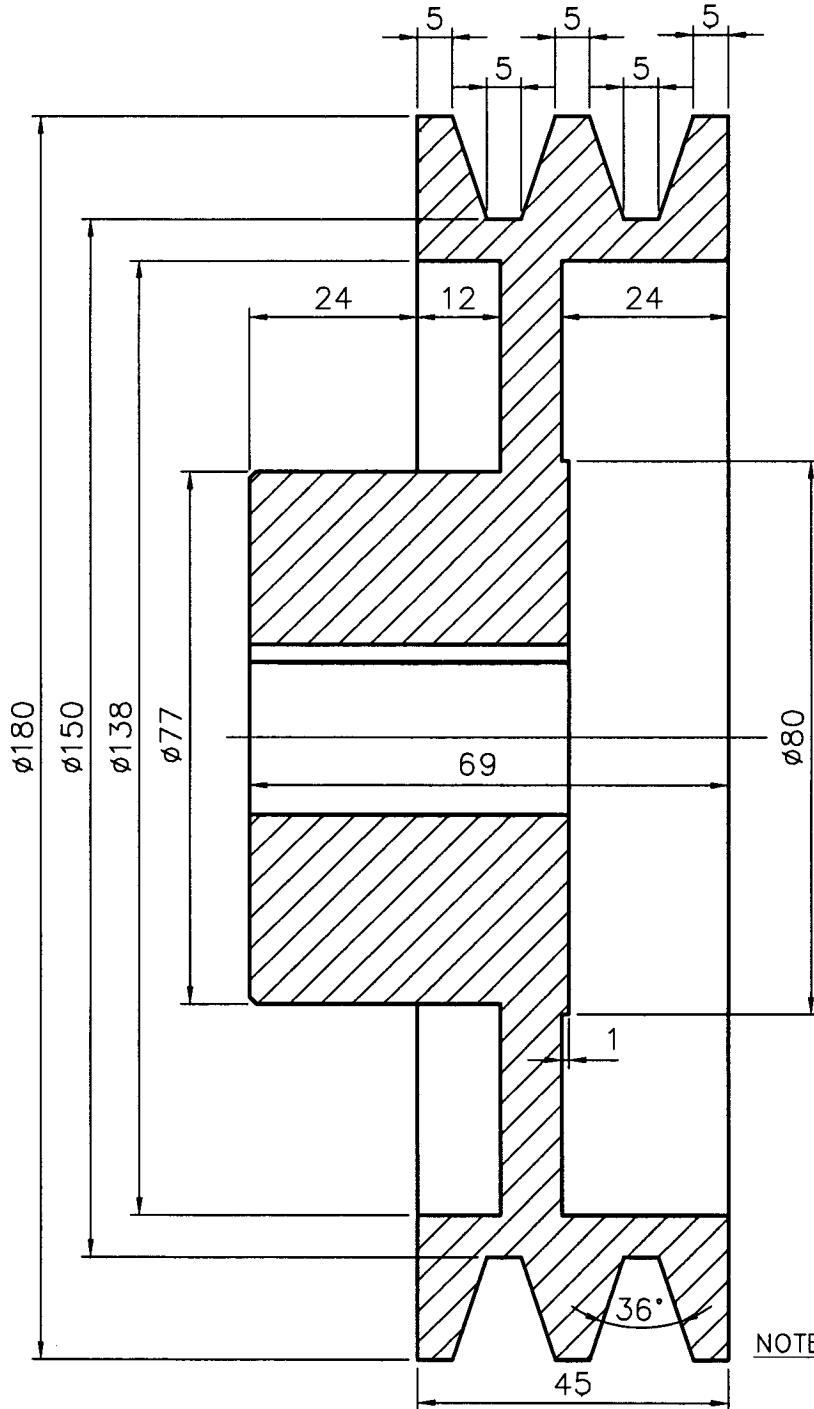
		FG 220	IS: 210	4.53	2M20C6005025	09
No. of Pieces	DESCRIPTION	MATERIAL	STANDARD	NET.WT.IN KGS.	DRAWING No.	ITEM No.
	REFERENCE:	ALTERATIONS:		DCN REF	DATE	SIGN.
SCALE	DRN. T.T.BALAKRISHNAN					
	CHD. R.RAMAMOORTHY					
1:2	APPD. K.RAMANAN					
	DATE 20.03.13					
MACHINE: CANTEEN EQUIPMENT			TYPE: CANTEEN			
TITLE: GEARBOX HOUSING COVER (WET GRINDER)			DRAWING No: 3M20C6015091			
			Sheet No:		No. of Sheets:	

CAUTION: THIS DRAWING IS OUR SOLE PROPERTY AND SHOULD NOT BE USED IN ANY FORM FOR ANY PURPOSE WITHOUT THE WRITTEN PERMISSION OF BHARAT HEAVY ELECTRICALS LIMITED

ALL DIMENSIONS ARE IN MM

ø22H7	+0.021	6P9	-0.012
	+0.000		-0.042

3.2 // 1.6 // 0.8 /



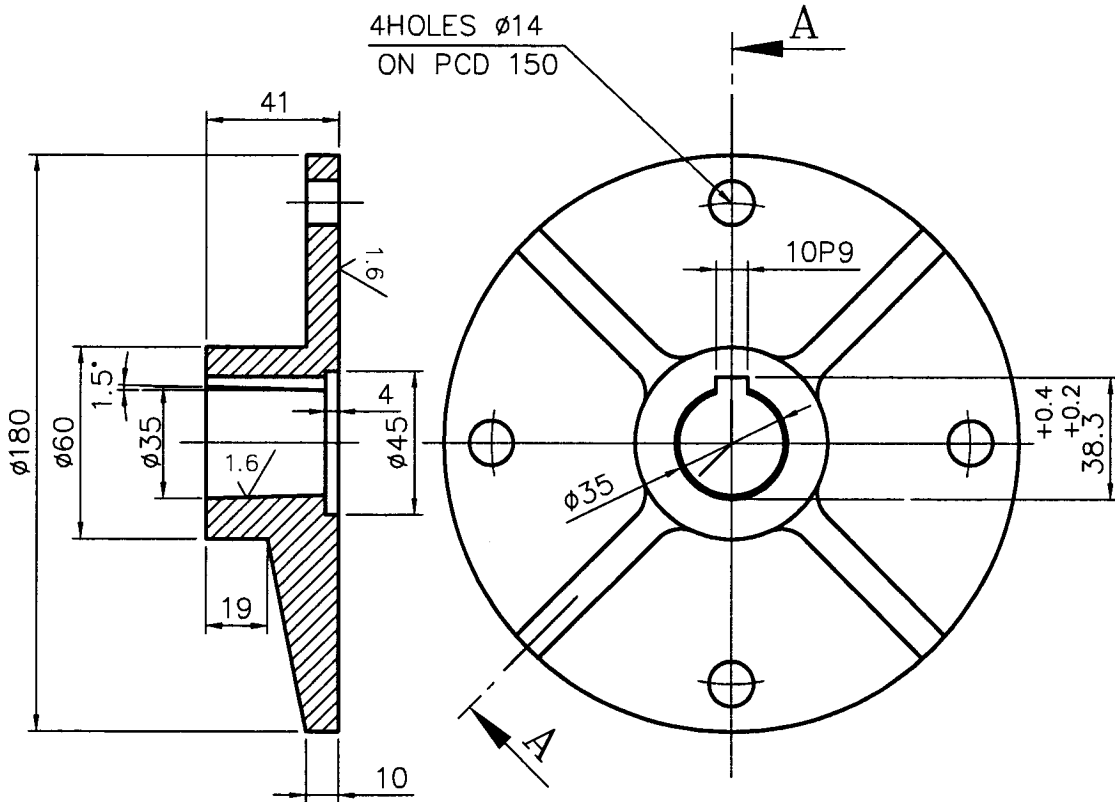
NOTE: -
 CHAMFER CORNERS FOR 1/45°

No. of Pieces		DESCRIPTION		MATERIAL	STANDARD	NET.WT.IN KGS.	DRAWING No.	ITEM No.
X				FG 220	IS: 210	4.74	2M20C6005025	10
REFERENCE:		ALTERATIONS:		DCN REF	DATE	SIGN.	INDEX	
SCALE	DRN.	T.T.BALAKRISHNAN	T.T. Balakrishnan					
1:1	CHD.	R.RAMAMOORTHY						
	APPD.	K.RAMANAN						
	DATE	20.03.13						
MACHINE: CANTEEN EQUIPMENT				TYPE: CANTEEN				
TITLE:				DRAWING No:				
PULLEY OD180x69t (WET GRINDER)				4M20C6029661				
				Sheet No:				No. of Sheets:

CAUTION: THIS DRAWING IS OUR SOLE PROPERTY AND SHOULD NOT BE USED IN ANY FORM FOR ANY PURPOSE WITHOUT THE WRITTEN PERMISSION OF BHARAT HEAVY ELECTRICALS LIMITED

ALL DIMENSIONS ARE IN MM


10P9	-0.015	3.2//1.6/
	-0.051	



SECTION-AA

NOTE: -

CHAMFER CORNERS FOR 1/45°
HARDENED TO HRC.35 ±2

No. of Pieces		DESCRIPTION		MATERIAL	STANDARD	NET.WT.IN KGS.	DRAWING No.		ITEM No.
				55C8	IS: 5517	0.45	2M20C6005025		07
REFERENCE:				ALTERATIONS:		DCN REF	DATE	SIGN.	INDEX
				MATERIAL WAS CHANGED			02.06.14	R.R.M	(01)
SCALE 1:2	DRN.	T.T.BALAKRISHNAN							
	CHD.	R.RAMAMOORTHY							
	APPD.	K.RAMANAN							
	DATE	04.04.13							
MACHINE: CANTEEN EQUIPMENT					TYPE: CANTEEN				
TITLE:					DRAWING No:				
 FLANGE COUPLING (WET GRINDER) OD180x41T					4M20C602966301				
					Sheet No:		No. of Sheets:		

CAPITAL PURCHASE
COMMERCIAL TERMS AND CONDITIONS

1.0 QUOTATIONS

The Bidders shall submit the offer in **TWO INNER ENVELOPES** as indicated below which shall be sealed in one outer envelope.

Envelope I This sealed envelope should contain all the copies of technical bid together with un-priced commercial bid & annexure III. This envelope should be clearly marked **'Part I - Technical and commercial bid'**,

Indicating Enquiry No., Due Date and Address & Reference of the Bidder.

Envelope II This sealed envelope should contain **price as per Annexure-IV format**. This envelope should be clearly marked **"Part II - Price bid"**, indicating **Enquiry No., Due Date and Address & Reference of the Bidder**.

Both the envelopes (Part I & II) shall be put in one cover (**Envelope III**), duly sealed, superscribing as Part I and Part II of Enquiry No., due date of opening and the address and reference of the Bidder

The above offer should reach this office on or before the due date by 14.00 hours (IST). Late offers will not be considered.

Tender should not be addressed to any individual's name

The Tender Opening Cell/MM
Room No-26 , Building – 24 , Ground Floor
Bharat Heavy Electrical Limited
Tiruchirapalli- 620014 .

Tenders should be free from **CORRECTION AND ERASURES**, Corrections if any, must be attested. All Amounts shall be indicated both in words as well as in figures. Where there is difference between amount quoted in words and figures, amount quoted in words shall prevail.

Offers should be in **ENGLISH** and accompanied by detailed technical literature, catalogue and detailed dimensional drawings in **ENGLISH** or otherwise, the offers will not be considered.

2.0 OPENING OF TENDERS

The Part I - Technical & commercial bid alone would be opened on the Tender opening date.

The Part II - Price bid of technically suitable Bidders alone would be opened. The Technically Suitable Bidders would be informed about the tender opening date through e-mail.

Clarifications if any required by BHEL for Technical evaluation **would be** sought from Bidders before opening of Part II - price bid

For any queries clarifications the bidders may contact us through our FAX NO. +91 431 2520719 or through e-mail <arunachal@bheltry.co.in >&< chells@bheltry.co.in>

Annexure For Techno Commercial Bid

Check List - to be filled and submitted along with Technical Bid

BHEL Commercial Terms and Conditions for Indigenous Supplies	Vendor's Confirmation / Comments
Technical confirmation to BHEL's Specification as called for in BHEL Format shall be furnished. If needed additional sheets shall be used.	
Prices shall be quoted item wise only as per the model format enclosed	
Prices shall be quoted on " FIRM PRICE " basis only The prices should be only on F.O.R / Despatching station basis with Packing & Forwarding charges if any. Applicable % of ED & Sales Tax, Freight & Insurance, Installation & Commissioning Charges should be clearly Indicated	
Validity of offer shall be for a minimum period of 120 days from the date of Tender opening	
Delivery period from the date of Letter of Intent / Purchase order shall be clearly mentioned in the offer	
Liquidated damages @ '0.5% per week subject to a maximum of 10% of the order value shall be applicable for delay in deliveries For Details Refer Annexure- v	
Following Risk Purchase clause shall be applicable The purchaser at his option will be entitled to terminate the contract and to purchase elsewhere at the risk and cost of the seller either the whole of the goods or any part which the supplier has failed to deliver or dispatch within the time stipulated or if the same were not available, the best and the nearest available substitute therefore The supplier shall be liable for any loss which the Purchaser may sustain by reason of such risk purchases	
Payment term for supply portion: Payment term is 100% direct payment after 45 days from the date of receipt and acceptance of materials For details Refer Annexure- v	
Erection / commissioning: (if applicable only) Erection / commissioning charges if any has been mentioned in the offer or else confirmation that Erection /commissioning shall be done at free of cost is available in the offer,	
The equipment shall be guaranteed for a period of 12 months from the date of commissioning	
Final inspection and acceptance of equipment will be after installation at BHEL, Trichy	
The vendor shall provide necessary drawings, Test Certificates and Operating Maintenance Manuals etc., as called for in the Technical Specification, in the required number of copies at no extra cost	
Any warranty replacement during warranty period shall be supplied free of charge on FOR BHEL, Trichy basis.	
Offers should be submitted only in sealed cover super-scribing clearly the Enquiry reference and due date.	
Confirm MSE vendor or not (Incase of MSE vendor necessary documentary proof shall be furnished as per Annexure VI)	
% of Excise Duty with cess	
% of TAX (CST/VAT)-(INGST with FORM-17 or CST with C-FORM)	
Packing & Forwarding Charges (if any in % only)	
Percentage of Freight& transit insurance charges, if any Freight charges from Dispatching station to BHEL, Tiruchirappalli • Supplier should quote for F.O.R-BHEL Trichy Stores.	
As per Commercial terms and conditions, acceptance for participation in Reverse auction (RA).Yes/No to be indicated	
Name of the person for participating reverse auction	
Land Line Number	
Fax Number	
Mobile Number	
E-mail ID	

NOTE:-

- It is confirmed that all the terms and conditions stipulated in the Enquiry have been fully understood by us and all clarifications & details have been obtained.
- Your offer should be indicating applicable if any P&F Charges, % of ED, Sales Tax -CST or VAT, Service Tax), Freight, Insurance and Installation and Commissioning Charges etc., as per our Price Format
- Your specific acceptance to our Payment terms, LD & Risk Purchase Clause are essential for consideration of your offer. Other wise your offer is liable for rejection.
- No row shall be left blank. Please indicate NA, in case the item is "not applicable"

Annexure For Price Bid

Bharat Heavy Electricals Limited TIRUCHIRAPPALLI CAPITAL PURCHASE
MODEL PRICE BID FORMAT FOR INDIAN BIDDERS

Annexure-IV

Enquiry No. & Date:

Bidder's Offer No. & Date:

Sl No	Description of item	Unit	Quantity	Rate in Rs.	Value in Rs.
	TOTAL VALUE IN RS.				
	Packing & Forwarding charges in % if any				
	Freight & Insurance Charges In % if freight charges are not mentioned it will be considered as FOR-BHEL TRICHY.				
	Excise Duty (indicate in %)				
	A) TNGST — VAT (%)				
	B) CST with C-FORM — (%)				
	C) CST without C-Form — (%)				
	Approximate Net weight of the total consignment				
	Approximate Gross weight of the total consignment				
	Approximate Dimensions of the Consignment				
	The price indicated shall be inclusive of all accessories, spares etc. as given in the scope of supply. Individual item-wise break-up price shall be attached as an annexure to this price bid format.				

Signature & Seal of Vendor

NOTE:

1. The price bid should be submitted only as per the above format. No row shall be left blank. Please indicate NA, in case the item is "not applicable".
2. Prices shall be quoted item-wise only as per the above format.
3. If Price quoted is Inclusive of ED, the included ED Value and Base Value shall be indicated item-wise.

Payment Term (Indigenous)

If materials are receivable at Stores/Trichy <u>without</u> PBG	Payment term is 100% direct payment after 45 days from the date of receipt and acceptance of materials.
If materials are receivable at Stores/Trichy <u>with</u> PBG	Payment term is 100% direct payment after 45 days from the date of receipt and acceptance of materials and against 10% PBG valid for the warranty period.
Any deviation in the above payment term will attract loading as mentioned below. “Base rate of SBI (as applicable on the date of bid opening. Techno-commercial bid opening in case of two part bids) + 6% shall be considered for loading for the period of relaxation sought by bidders.	

Offers of indigenous Suppliers with any other Payment terms will be rejected.

Liquidated Damages / Penalty -

The delivery of the goods specified in the purchase order should be made within the time prescribed. LD for delay in 'Supply' and/or 'E&C' will be applicable to the delays attributed to vendor. LD will be considered separately for 'Delivery' and 'E&C'. Where the seller supplies or dispatches the goods, beyond the delivery period Liquidated damages shall be applicable 0.5% of the total order value per week or part thereof subject to a maximum of 10% of the total order value.

Material Despatched after Due date: Once the delivery due date is crossed, bills have to be clubbed till final despatch and forwarded for processing of payment as a single bunch. LD percentage will be calculated from Delivery due date to final despatch date.

The rate of LD for delayed E&C shall be @ 0.5% per week of delay of total PO value (Supply + E&C) in E&C subject to a maximum of 10% of total PO value (Supply + E&C).

For staggered delivery schedule, LD shall be 0.5% of the undelivered portion per week of the delay or part thereof subject to a maximum of 10% of the total order value.

Any deviation from the above LD clause, loading will be applied to the extent to which it is not agreed by the bidder (at offered value).

For the purpose of Imposing LD, the FOB delivery (B/L date) shall be considered.

Guarantee / Warranty Period – (if applicable)

Normally No deviation permitted and the deviated offers are liable for rejection.

Ranking-

BHEL will consider the ranking after the loading is applied as referred above wherever deviations are observed.

Performance Bank Guarantee – (if applicable)

Normally No deviation permitted and the deviated offers are liable for rejection.

Fraud prevention clause: The bidder along with its associate/collaborator/sub-contractor/sub-vendor/consultants/service providers shall strictly adhere to BHEL fraud prevention policy displayed on BHEL website <http://www.bhel.com> and shall immediately bring to the notice of BHEL management about any fraud or suspected fraud as soon as it comes to their notice.

NOTE:-

1. If the due date of tender opening happens to be a holiday, the tenders will be opened on the next working day.
2. BHEL reserves the right to go for a reverse auction (RA) instead of opening the submitted sealed bid which will be decided after technical evaluation. Information and general terms and conditions covering RA are given in commercial terms and conditions.
3. Corrigendum if any, with respect to this tender will be hosted only in the website <http://www.bhel.com> or <http://tenders.gov.in>. You are requested to visit the website regularly for updates.

Special Provisions for Micro and Small Enterprises (MSE)

1. 20% of the tendered quantity is earmarked for MSE suppliers in this tender.

2. Out of the 20% tendered quantity reserved for MSE suppliers, 4% shall be earmarked for procurement from MSE owned by SC/ST entrepreneurs.
Such Micro/Small Enterprises registered vendors must state the sub-category to which they belong and submit documentary proof for the same. The sub-categories are:
 - (a) Enterprises owned by Scheduled Castes.
 - (b) Enterprises owned by Scheduled Tribes.
 - (c) Enterprises owned by other than above two categories

The enterprises under (a) & (b) means the proprietor in case of single owned firm and all partners in case of partnership firm and all directors in case of private/public limited must belong to SC/ST category.

3. In case MSE vendor participating in the tender quotes within the price band of L1+15%, they will be allowed to supply the portion of the requirement subject to acceptance of L1 price by MSE vendor. In case of more than one such MSE, the supply shall be shared proportionately.

4. "MSE suppliers can avail the intended benefits only if they submit along with the offer, attested copies of either EM II certificate having deemed validity (five years from the date of issue of acknowledgement in EM-II) or valid NSIC certificate or EM II certificate along with attested copy of a CA certificate (Format enclosed at Annexure -VII where deemed validity of EM II certificate of five Years has expired) applicable for the relevant financial year (latest audited). Date to be reckoned for determining the deemed validity will be the date of bid opening (Part 1 in case of two part bid). Non submission of such documents will lead to consideration of their bid at par with other bidders. No benefit shall be applicable for this enquiry if any deficiency in the above required documents are not submitted before price bid opening. If the tender is to be submitted through e-procurement portal, then the above required documents are to be uploaded on the portal. Documents should be notarized or attested by a Gazetted officer."

Certificate by Chartered Accountant on letter head

This is to Certify that M/S
(hereinafter referred to as 'company') having its registered office at
..... is registered under MSMED Act 2006, (Entrepreneur
Memorandum No (Part-II) dtd:.....,
Category: (Micro/Small)). (Copy enclosed).

Further verified from the Books of Accounts that the investment of the company as on
date..... as per MSMED Act 2006 is as follows:

1. **For Manufacturing Enterprises:** Investment in plant and machinery (i.e. original cost excluding land and building and the items specified by the Ministry of Small Scale Industries vide its notification No.S.O.1722(E) dated October 5, 2006 :
Rs.....Lacs
2. **For Service Enterprises:** Investment in equipment (original cost excluding land and building and furniture, fittings and other items not directly related to the service rendered or as may be notified under the MSMED Act, 2006:
Rs.....Lacs

The above investment of Rs.....Lacs is within permissible limit of
Rs.....Lacs forMicro / Small (Strike off which is not applicable)
Category under MSMED Act 2006.

Date:

(Signature)

Name -

Membership number -

Seal of Chartered Accountant