



429-G02/A

**BHARAT HEAVY ELECTRICALS LIMITED**

( A Government of India Undertaking )  
HIGH PRESSURE BOILER PLANT  
PURCHASE DEPARTMENT - FOSSIL BOILERS  
THIRUCHIRAPPALLI - 620014  
TAMILNADU (INDIA)

Page  
1/3

PHONE :2577938  
GRAMS : BHARATELEC  
FAX NO: 2520719  
E-mail: tvenkat@bheltry.co.in  
Web:

	<b>Enquiry No</b> 2661500553 - 46	<b>Enquiry Date</b> 18.12.2015	<b>Due Date for Quotation</b> 12.01.2016
<p>Please quote Enquiry No, Date and due date in all correspondences. This is only a request for quotation and not an order. <b>Bid should be submitted in two parts. 1.Techno-commercial bid (Part-I) and 2.Price bid(Part-II) in a separate sealed cover and both covers must be placed in a third cover and sealed. Our Enquiry No., Enq. date &amp; Enq. Due date must be written on all three covers.</b></p>			

Item	Description	Unit	Quantity	Delivery Quantity	Schedule Date
10	331010040000  5 Pin 15 Amps Two in One flush type switched socket with Brass screws, suitable for 230V AC supply. MAKE:KALKI,ELLELUS,KUNDAN,LISHA or ANCHOR Only suitable.	NO	300.000	300.00	01.03.16
20	331010070000  Tumbler switch single pole with Baklite cover with Porcelain base rated for 5 Amps, suitable for 230V with Brass components. MAKE:Trishul,Anchor or Kalki only suitable.	NO	300.000	300.00	01.03.16
30	331010150000  Flush type Bell Push, suitable for 230V, rated for 5 Amps. MAKE:-ANCHOR .	NO	25.000	25.00	01.03.16
40	331010890000 M.S.SADDLE CLAMP 20MM DIA	NO	2000.000	2,000.00	01.03.16
50	331011010000  PVC plain Tee, Grey colour 20mm Dia	NO	200.000	200.00	01.03.16
60	331011530000  Soldering Iron with Pencil Tip 65W, 230V. MAKE:-SOLDRON or TONY make only suitable.	NO	5.000	5.00	01.03.16
70	331012580000  Jhonson & Jhonson make Black Insulation Cotton Tape 1.9cm width x 20Metre Length & P 203 Grade. MAKE:-Jhonson & Jhonson	ROL	100.000	100.00	01.03.16
80	331013840000  Electrolytic tinned copper Reducer terminal ends for solderless crimping as per IS 1897/BS 1977 Size 95.00 sqmm. MAKE:DOWELLS,UNIVERSAL MACHINES,UMA OR HEX ONLY SUITABLE.	NO	100.000	100.00	01.03.16
90	331015620000	NO	500.000	500.00	01.03.16

The offers should reach us 30 minutes before the time of opening of tenders. The offers will be opened at 14.30 hrs on the due date of tender in the presence of tenderers who have submitted their offer and who may like to be present for the tender opening.Late and delayed offers are liable to be rejected.

Yours faithfully,  
For BHARAT HEAVY ELECTRICALS LIMITED

**ARUN PRASATH. N**  
MANAGER / PURCHASE  
Senior Engineer  
(FOSSIL BOILERS)  
Purchase ( CP & SP / PM / RM )  
Yours faithfully,  
BHEL, TIRUCHY - 620014.



# BHARAT HEAVY ELECTRICALS LIMITED

( A Government of India Undertaking )  
HIGH PRESSURE BOILER PLANT  
PURCHASE DEPARTMENT - FOSSIL BOILERS  
THIRUCHIRAPALLI - 620014  
TAMILNÁDU (INDIA)

Page  
2/3

PHONE :2577938  
GRAMS : BHARATELEC  
FAX NO: 2520719  
E-mail: tvenkat@bheltry.co.in  
Web:

2661500553 / 18.12.2015

23505

Quantity	Item Description	Unit	Rate	Amount	Delivery Date
100	4 Hole Cerramic Insulator as per Drg:4M-20C-60-28741	NO	10.000	10.00	01.03.16
110	Industrial water Immersion Heater, fixed with metallic cap for protection of terminals. Depth of immersion 220mm, rated watts 3KW, flange type 11/2 BSPP, suitable for single phase, 230V AC supply. MAKE:-Escort type IHCU30/22.	KG	3.000	3.00	01.03.16
120	Soldering Paste for Copper in 250ml container. MAKE:-Eyre .	L	100.000	100.00	01.03.16
130	Fast Drying Insulating varnish V30 air drying for motor rewinding (Insulvar Varnish/Elmo Luft 1A- GOLDEN)Drum of 1 Litre container.	NO	5.000	5.00	01.03.16
140	Soldering Iron with Pencil Tip 125W, 230V. MAKE:-SOLDRON or TONY make only suitable.	NO	1000.000	1,000.00	01.03.16
	Cylindrical Porcelin insulator as per Drg.4E-20C-25656				

## General Note:

Important note:

YOU SHOULD CONFIRM LD CLAUSE, VALIDITY , PAYMENT TERMS AND DELIVERY PERIOD AS PER BHEL COMMERCIAL TERMS AND CONDITIONS. OTHERWISE YOUR OFFER WILL BE REJECTED.

ENCLOSURS :


DRAWINGS FOR ITEM NO. 90 & 140

ANNEXURE - 'A':- COMMERCIAL TERMS AND CONDITIONS MUST BE FILLED AND SUBMITTED ALONG WITH TECHNO COMMERCIAL BID.

All the tenders may be addressed to the following address:

The offers should reach us 30 minutes before the time of opening of tenders. The offers will be opened at 14.30 hrs on the due date of tender in the presence of tenderers who have submitted their offer and who may like to be present for the tender opening.Late and delayed offers are liable to be rejected.

Yours faithfully,  
For BHARAT HEAVY ELECTRICALS LIMITED

  
MANAGER / PURCHASE  
ARUN PRAGATH. N  
Senior Engineer  
Purchase ( CP & SP ) / MM / RM  
BHEL, TIRUCHY - 620 014,



# BHARAT HEAVY ELECTRICALS LIMITED

( A Government of India Undertaking )  
HIGH PRESSURE BOILER PLANT  
PURCHASE DEPARTMENT - FOSSIL BOILERS  
THIRUCHIRAPALLI - 620014  
TAMILNÁDU (INDIA)

Page 3/3  
PHONE :2577938  
GRAMS : BHARATELEC  
FAX NO: 2520719  
E-mail: tvenkat@bheltry.co.in  
Web:

2661500553 / 18.12.2015

23505

The Tender Opening Cell / MM  
Room No: 26, Building 24, Ground Floor  
Bharat Heavy Electricals Limited  
TIRUCHIRAPALLI 620014

In case personal delivery of the offer, it shall be dropped into the respective box kept in Room No: 26, after duly entering the data in the system.

Offers will be accepted only up to 14.00 Hrs on the due date. Therefore, vendors shall ensure to submit the offers well before this time. All due date extension requirements should be addressed to the respective Purchase mail IDs. All the due date extension requests from vendors will be considered only up to 48 hours before the due date and time.

Vendors are requested to avoid submission of offers through e mail / fax. In case of any unavoidable situation, offers shall be sent through e mail to the following mail ID only tender\_cell@bheltry.co.in.

As tenders are being opened by Common Tender Opening Cell, offer covers should be sealed with tenderer's distinctive seal and super scribed with correct Tender No. item of supply and due date of opening.

The offers will be opened at 14.30 hrs on the due date of the tender in the presence of tenderers who have submitted their offer and who may like to be present for the tender opening. Late and delayed offers are liable to be rejected.

The bidder along with its associate/ collaborators/ sub-contractors/ sub-vendors/ consultants/ service providers shall strictly adhere to BHEL fraud prevention policy displayed on BHEL website <http://www.bhel.com> and shall immediately bring to the notice of BHEL management about any fraud or suspected fraud as soon as it comes to their notice.

**Enclosures:**

"LD clause has to be confirmed without fail."

The offers should reach us 30 minutes before the time of opening of tenders. The offers will be opened at 14.30 hrs on the due date of tender in the presence of tenderers who have submitted their offer and who may like to be present for the tender opening. Late and delayed offers are liable to be rejected.

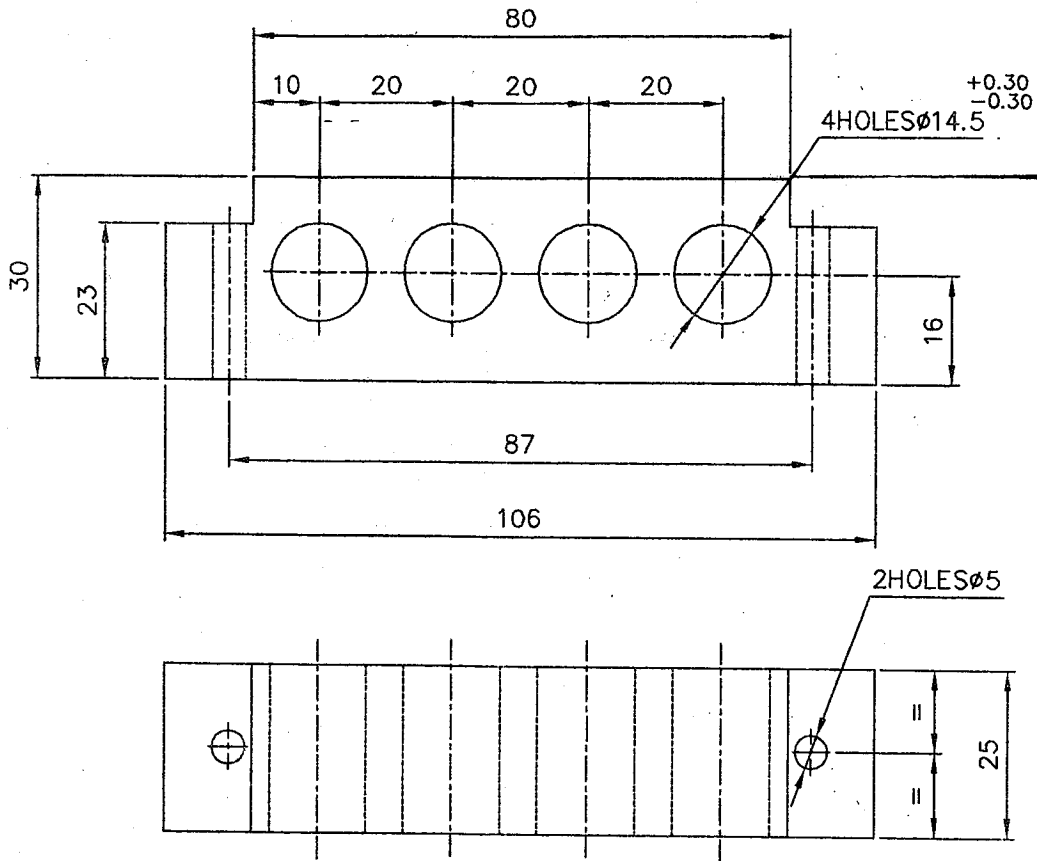
Yours faithfully,  
For BHARAT HEAVY ELECTRICALS LIMITED

ARUN PRASATH. N.  
MANAGER / PURCHASE  
(FOSSIL BOILERS)  
Purchase Cell / MM / RM  
BHEL, TIRUCHY - 620014

CAUTION: THIS DRAWING IS OUR SOLE PROPERTY AND SHOULD NOT BE USED IN ANY FORM FOR ANY PURPOSE WITHOUT THE WRITTEN PERMISSION OF BHARAT HEAVY ELECTRICALS LIMITED TRICHIRAPPALLI - 620 014.

ALL DIMENSIONS ARE IN MM

24. CANTEEN / 4 Hole Insulator.



CHEMICAL PROPERTIES

AL2 O3 : 75% - 76%  
 Si O2 : 23% - 24%  
 Fe2 O3 : MAX 1.5%

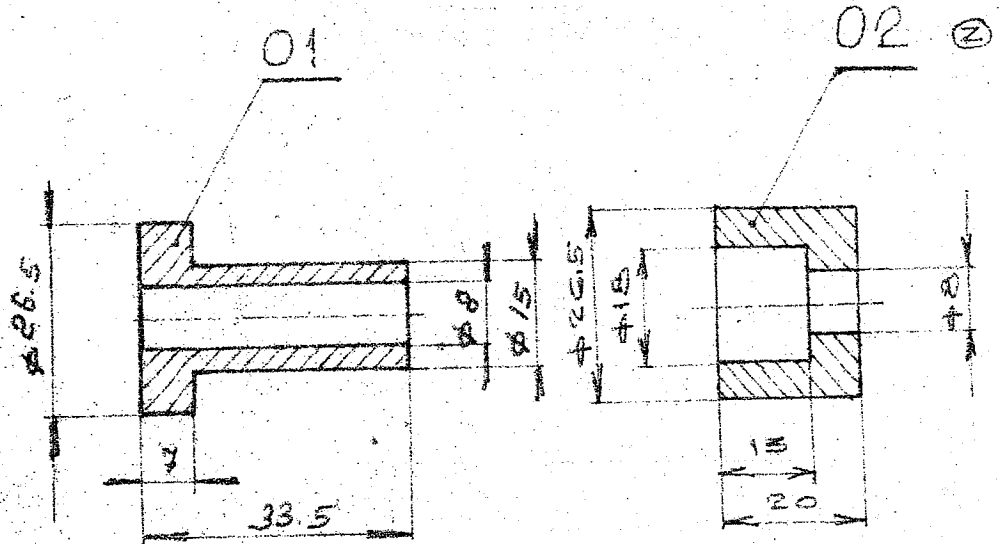
PHYSICAL PROPERTIES

MAX. SERVICE TEMP. : 1760°C  
 APP. DENSITY : 2.45 - 2.65 gm./cc.  
 APP. POROSITY : 19% - 22%  
 COLD CRUSHING STRENGTH (kg/cm<sup>2</sup>) : 500 - 600 kg/cm.

X		CERAMIC	0.160			
No. of Pieces	DESCRIPTION	MATERIAL	STANDARD	NET. WT. IN KGS.	DRAWING No.	ITEM No.
	REFERENCE:		ALTERATIONS:	DCN REF	DATE	SIGN.
SCALE	DRAWN	P.A. ROSS				
	CHECKED					
1:1	APPROVED					
	DATE	25-10-10				
MACHINE: CANTEEN EQUIPMENT			TYPE: CANTEEN			
	TITLE:		DRAWING No:		REV.	
	HEATING ELEMENT SUPPORT (RICE BOILER & WATER BOILER.) (FOR 24 CANTEEN)		4M20C6028741			
			Sheet No:		No. of Sheets:	

Caution  
 THIS DRAWING IS OUR SOLE PROPERTY AND SHOULD NOT BE USED IN ANY FORM FOR ANY OTHER PURPOSE WITHOUT THE WRITTEN PERMISSION OF BHARAT HEAVY ELECTRICALS LTD., CHENNAI - 600 014.

39-507 A



PHYSICAL PROPERTIES

MAX. TEMPERATURE : 1600°  
 C.E.S = 350 kg/cm<sup>2</sup>  
 APPARENT POROSITY : 24 TO 83%

CHEMICAL COMPOSITION

AL2 O3 = 57 TO 60%  
 FE2 O3 = 2%  
 P.C.E = + 36

1	± 26.5 X 20 L	SILLIMINATE	IS: 2044	0.010	02	
1	± 26.5 X 20 S.L.	SILLIMINATE	IS: 2044	0.015	01	
					06	
				1-E-20C-02355		
No. of	DESCRIPTION	MATERIAL	STD/BPS	AST. AC. IN. HGT	DRAWING No.	Rev.
REFERENCE			ALTERATIONS: CC-17 EC-80	DATE	DESIGN	INDEX
			ITEM NO: OR ADDED	230199		②
SCALE DRAWN	R. Ramamurthy					
CHECKED	R. Ramamurthy					
APPROVED	[Signature]					
DATE	09-01-96					
MACHINE	CANTEN EQUIPMENT					
TITLE	TERMINAL BUSH					
	(108: 00265: 335)					
TYPE	CANTEN-SIGRE					
DRAWING No.	4-E-20C-25656					
No. of Sheets	1					
Sheet No.	1					
Total wt. (Kg)						
REV	Z					

**BHARAT HEAVY ELECTRICALS LIMITED TIRUCHIRAPALLI**  
**CAPITAL PURCHASE**

Annexure-A

**PART - I**

**ACCEPTANCE OF COMMERCIAL TERMS AND CONDITIONS BY THE VENDORS.**

(This should be essentially filled in and sent along with the techno-commercial offer without fail. If this check list is not filled and submitted along with techno-commercial offer (Part I) or if the vendor does not confirm acceptance to the terms and conditions proposed herein, BHEL reserves the right to reject such offers)

**CHECK-LIST FOR INDIGENOUS VENDORS**

DESCRIPTION
<p>The Bidders shall submit their offer in <b>TWO INNER ENVELOPES</b> as indicated below which shall be sealed in one outer envelope.</p> <ul style="list-style-type: none"><li>❖ <b>Envelope I:</b> This sealed envelope should contain all the copies of technical bid together with un-priced commercial bid. This envelope should be clearly marked "<b>Part I - Technical and commercial bid</b>", indicating Enquiry No., Due Date and Address &amp; Reference of the Bidder.</li><li>❖ <b>Envelope II:</b> This sealed envelope should contain <b>price details</b>. This envelope should be clearly marked "<b>Part II - Price bid</b>", indicating Enquiry No., Due Date and Address &amp; Reference of the Bidder. This part should contain the schedule of price particulars and must be co-related to the technical details provided in Part I.</li></ul> <p>All the two envelopes (Part I&amp;II) shall be put in one cover, duly sealed, super scribing as "<b>Part I and Part II of Enquiry No., due date of opening</b>" and the address and reference of the Bidder. The offer received without the above guidelines, will not be considered for opening.</p> <p>The above offer should reach this office on or before the due date by 14.00 Hrs (IST). Late offers will not be considered.</p> <p>Tender should not be addressed to any Individual's name but only by designation to:</p> <ol style="list-style-type: none"><li>1) Please submit your offer on F.O.R - BHEL, TRICHY (Tamilnadu) basis and in two part (part-i: techno-commercial bid and part-ii: price bid) in a separate covers and both covers to be placed in an envelope which is super scribed with enquiry no, enquiry date and due date of tender opening.</li><li>2) If the offer is submitted in single part and the same will be liable for rejection.</li><li>3) All the Tenders may be addressed to the following address to <b>The Tender Opening Cell/MM</b> <b>Room No-26, Building – 24, Ground Floor</b> <b>Bharat Heavy Electrical Limited</b> <b>Tiruchirappalli- 620014.,</b> <b>TAMILNADU, INDIA</b></li><li>4) In case personal delivery of the offer, it shall be dropped into the respective box after duly entering the data in the system kept in room no. 26.</li><li>5) Offers will be accepted received till 14.00 hrs on the due date. Therefore Vendors shall ensure to submit the offers before this time.</li><li>6) Vendors are requested to avoid submission of offers thro email / fax. In case of any unavoidable situation, offers shall be sent thro email to the following mail ID only "<b>tender_cell@bheltry.co.in</b> "</li></ol> <p>Tenders should be free from <b>CORRECTIONS AND ERASURES</b>. Corrections if any, must be attested. All amounts shall be indicated both in words as well as in figures. In case of any difference between amount quoted in words and figures, amount quoted in words shall prevail.</p> <p>Offers should be in <b>ENGLISH</b> and accompanied by detailed technical literature, catalogue and detailed dimensional drawings in <b>ENGLISH</b> or otherwise, the offers will not be considered.</p>
<p><b><u>OPENING OF TENDERS</u></b></p> <p>The Part I- Technical &amp; commercial bid would be opened on the Tender opening date.</p> <p>Part-II, Price bid of technically suitable Bidders alone would be opened after complete evaluation of Part-I. Hence the Bidders are required to submit their best competitive price in the price bid in a sealed cover (Part-II).</p> <p>Date and time of Price Bid (Part-II) opening date shall be intimated to the technically and commercially acceptable bidders only. Clarifications if any required by BHEL for Technical evaluation would be sought from bidders before opening of Part II - Price Bid</p>

**TAXES AND DUTIES :**

All Taxes and Duties payable as extra to the quoted price should be specifically stated in offers along with CST & TIN No / Tariff No. etc., failing which the purchaser will not be liable for payment of such Taxes and Duties. Our TIN No. 33243560005, TNGST No. 3560005, CST. No. 239383 Dt. 11-06-1991 & BHEL ECC No. AAACB4146PXM012, Service Tax Reg No (STC)- AAACB4146PST006. Assessment circle Tiruverambur.

**Cenvat credit & VAT credit** (for Indian Bidders only): If any Excise Duty is payable, the chapter head / sub-head reference and the rate of the duty should be quoted. If the tenderer is availing **CENVAT** credit for his input materials, the effect of Proforma credit should be passed on to the purchaser

**Income Tax applicable**

Any service charges payable towards supervision of E&C, training, performance prove-out etc., will be released after deduction of Income Tax as per Indian Income Tax Act / as per the Govt. of India rules and TDS certificate will be issued by BHEL for such deductions. Applicable service tax on E&C charges will be payable extra. The liability of depositing the same to the Govt. will be of the supplier

SL. NO.	<b><u>BHEL COMMERCIAL TERMS AND CONDITIONS FOR INDIGENOUS SUPPLIES</u></b>	Vendor's Confirmation / Comments
1	<p><b><u>Bid should be submitted in Two Parts.</u></b></p> <p>1. Techno-commercial Bid (Part-I) and 2. Price Bid (Part-II) in a separate sealed cover and both the covers must be placed in a Third Cover and Sealed. Our Enquiry No., Enq. Date &amp; Enq. Due date must be written on all Three covers</p>	
2	<p><b><u>ARBITRATION:</u></b> All disputes or differences whatsoever which may arise at any time during execution of the Contract shall be mutually settled by BHEL and Contractor as per provision of the Contract. However, in the event such disputes cannot be settled mutually, such disputes shall be settled as per the Arbitration and reconciliation Act, 1996 of the Govt. of India and it's subsequent amendments. In case of disputes with the Central PSUs, the same shall be settled at Tiruchirappalli as per the Guidelines of the Govt. of India.</p> <p>However, during the period such disputes are settled either by mutual discussions between the parties or by legal means, Contractor shall continue to do the work as per terms &amp; conditions of Contract.</p>	
3	If offer is received from both OEM/Manufacturer and authorized dealers or Agent, then OEM/Manufacturer offer will only be considered and dealers or Agent offer will be ignored.	
4	Technical confirmation to BHEL's Specification shall be furnished. If needed additional sheets shall be used.	
5	Prices shall be quoted item wise only.	
6	<p>Delivery INCO TERMS- Price quoted <b>-FOR BHEL TRICHY (TN), STORES</b> or ex-WORKS Basis or, FOR WORKS (DESPATCHING STATION)</p> <p>In case of EX works / FOR WORKS basis, indicate the Despatching station.</p> <p>Prices shall be quoted on "FIRM PRICE" basis only.</p>	
7	<b>Validity</b> of offer shall be for a minimum period of <b>120 days</b> from the date of Tender opening	
8	<b>Delivery period</b> from the date of Letter of Intent / Purchase order (write in DAYS/WEEKS)	

<p>9</p>	<p><b>Liquidated damages</b> shall be 0.5% of the total order value per week or part thereof subject to a maximum of 10% of the total order value.</p> <p>For staggered delivery schedule, LD shall be 0.5% of the undelivered portion per week of the delay or part thereof subject to a maximum of 10% of the total order value.</p> <p><b>** In case of single delivery date , Order should be completed 100% for processing the bill, otherwise LD will be calculated based on Total PO Value restricted to Max % as mentioned in the PO Condition column.</b></p> <p><b>Material Despatched after Due date:</b> Once the delivery due date is crossed, <u>bills have to be clubbed till final despatch and forwarded for processing of payment as a single bunch.</u> LD percentage will be calculated from Delivery due date to final despatch date.</p> <p>For staggered delivery schedule, LD shall be 0.5% of the undelivered portion per week of the delay or part thereof subject to a maximum of 10% of the total order value.</p> <p><b>Any deviation from the above LD clause, loading will be applied to the extent to which it is not agreed by the bidder (at offered value).</b></p>	
<p>10</p>	<p><b><u>Payment term for supply portion:</u></b></p> <p>Payment term is <b>100% direct payment after 45 days</b> from the date of receipt and acceptance of materials.                  Note: Only Direct Payment after goods receipt &amp; acceptance will be accepted .Above payment term acceptance is essential for consideration of your offer</p> <p><b>Any deviation in the above payment term will attract loading as mentioned below. “Base rate of SBI (as applicable on the date of bid opening. Techno-commercial bid opening in case of two part bids) + 6% shall be considered for loading for the period of relaxation sought by bidders.</b></p> <p>Payment through Bank is not preferred. In case of Payment through Bank is opted by Supplier, BHEL prefers documents submission through bank with copy of LR and door delivery of Goods to Stores with Consignee copy attached. In this case Loading will be 3% on the offered value. Offers of indigenous Suppliers with payment terms as <u>LC/Advance Payment are liable for rejection.</u></p> <p><b><u>Important Note:</u></b> BHEL will consider the ranking after the loading is applied as referred vide Sl. No. 9 &amp;10 above wherever deviations are observed.</p>	
<p>11</p>	<p><b><u>Following Risk Purchase clause shall be applicable:</u></b></p> <p>The purchaser at his option will be entitled to terminate the contract and to purchase elsewhere at the risk and cost of the seller either the whole of the goods or any part which the supplier has failed to deliver or dispatch within the time stipulated or if the same were not available, the best and the nearest available substitute therefore. The supplier shall be liable for any loss which the Purchaser may sustain by reason of such risk purchases.</p>	
<p>12</p>	<p><b><u>Erection / commissioning: (if applicable only)</u></b></p> <p>Erection / commissioning charges if any has been mentioned in the offer or else confirmation that Erection / commissioning shall be done at free of cost is available in the offer.</p>	

13	<p>The equipment shall be guaranteed as per tender condition from the date of receipt &amp; acceptance /(commissioning date ,if applicable as per tender condition). Normally No deviation permitted and the <u>deviated offers are liable for rejection.</u></p>	
14	<p>Equipment will be inspected at vendor's works prior to dispatch if applicable. However final inspection and acceptance of equipment will be after installation at BHEL, Trichy and Tamilnadu.</p>	
15	<p>The vendor shall provide necessary drawings, Test Certificates and Operating Maintenance Manuals etc., as called for in the Technical Specification, in the required number of copies at no extra cost.</p>	
16	<p>Any warranty replacement during warranty period shall be supplied free of charge on FOR BHEL, Trichy, Tamilnadu basis.</p>	
17	<p>The bidder may also be a Micro and Small Enterprises (MSE) vendor registered as per MSE act. As per the public procurement policy notified by the Central government,</p> <p>20% of the tendered quantity is earmarked for MSE suppliers in this tender. Out of the 20% tendered quantity reserved for MSE suppliers, 4% shall be earmarked for procurement from MSE owned by SC / ST entrepreneurs.</p> <p>In case MSE vendor participating in the tender quotes within the price band of L1 + 15%, they will be allowed to supply the portion of the requirement subject to acceptance of L1 price by MSE vendor. In case of more than one such MSE, the supply shall be shared proportionately.</p> <p>"MSE suppliers can avail the intended benefits only if they submit along with the offer, attested copies of either EM II certificate having deemed validity (five years from the date of issue of acknowledgement in EM, II) or valid NSIC certificate or EM II certificate along with attested copy of a CA certificate (Format enclosed at Annexure -V where deemed validity of EM II certificate of five years has expired) applicable for the relevant financial year (latest audited). Date to be reckoned for determining the deemed validity will be the date of bid opening (Part 1 in case of two part bid). Non submission of such documents will lead to consideration of their bid at par with other bidders. No benefit shall be applicable for this enquiry if any deficiency in the above required documents are not submitted before price bid opening. <b>Documents should be notarized or attested by a Gazetted officer for consideration of MSE certificate.</b> "</p> <p>Such Micro/Small Enterprises registered vendors must state the sub-category to which they belong and submit documentary proof for the same. The sub-categories:</p> <p>(a) Enterprises owned by Scheduled Castes.                  (b) Enterprises owned by Scheduled Tribes.                  (c) Enterprises owned by other than above two categories</p> <p>The enterprises under (a) &amp; (b) means the proprietor in case of single owned firm and all partners in case of partnership firm and all directors in case of partnership firm and all directors in case of private/public limited must belong to SC/ST category</p>	

<b><u>OTHER DETAILS REQUIRED</u></b>		
18	% of Excise Duty with cess (EXTRA / INCLUSIVE / NIL)	
19	% of TAX (VAT) (TNGST with FORM-17)	
20	% of TAX (VAT) without form	
21	% of TAX (CST) (CST with C-FORM)	
22	% of TAX (CST) without form	
23	Packing & Forwarding Charges ( in % only)	
24	<b>Freight&amp; transit insurance charges</b> , if any(( in % only) Freight charges from Dispatching station to BHEL <b>TRICHY (TN)</b> (Note: If the delivery terms is Ex Works the materials has to be sent through BHEL approved carrier only ,in this case the freight will be borne by BHEL)	
25	Approximate Net weight of the total consignment	
26	Approximate Gross weight of the total consignment	
27	Approximate Dimensions of the Consignment	
28	Name of the contact person	
29	Land Line Number	
30	Fax Number	
31	Mobile Number	
32	E-mail ID	
33	PAN No.	
34	CST No.	TIN No.

a) It is confirmed that all the terms and conditions stipulated in the Enquiry have been fully understood by us and all clarifications & details have been obtained.

b) Applicable % of ED, Sales Tax -CST or VAT, Service Tax), Freight, Insurance and Installation and Commissioning Charges etc., are indicated in offer.

Full postal Address:

Signature & Office Seal of the vendor

**Note:-**

Your specific acceptances to our Payment terms, LD & Risk Purchase (RP) Clause are essential for consideration of your offer. Otherwise your offer is liable for rejection.

No row shall be left blank. Please indicate NA, in case the item is “not applicable”

**PART - II**

**MODEL PRICE BID FORMAT FOR INDIAN BIDDERS**

Enquiry No. & Date:

Bidder's Offer No. & Date:

SI No	Description of item	Unit (SET /No)	QTY	Rate /Qty in Rs. (excluding of all taxes)	VAT/CST in % (TNGST with FORM-17 or CST with C-FORM)	ED in %	Service Tax in %	Total Value in Rs. (inclusive of all taxes)
	Packing & Forwarding charges (if any) in percentage (or) Lumpsum							
	FOR Dispatching station value in Rs.							
	Percentage of Freight & transit insurance charges, if any (Lumpsum or %) Freight & Insurance charges from Dispatching station to BHEL, TRICHY (TN) (Note:If the delivery terms is Ex Works the materials has to be sent through BHEL approved carrier only, in this case the freight & Insurane will be borne by BHEL)							
	Approximate Net weight of the total consignment							
	Approximate Gross weight of the total consignment							
	Approximate Dimensions of the Consignment							

Signature & Seal of Vendor

**The price bid should be submitted only as per the above format. No row shall be left blank. Please indicate NA, in case the item is "not applicable"**