



BHARAT HEAVY ELECTRICALS LIMITED

(A Government of India Undertaking)
HIGH PRESSURE BOILER PLANT
PURCHASE DEPARTMENT - FOSSIL BOILERS
THIRUCHIRAPALLI - 620014
TAMILNADU (INDIA)

PHONE :2577645
GRAMS : BHARATELEC
FAX NO: 2520719
E-mail: srchandran@bheltry.co.in
Web:

429-002/A

Enquiry No	Enquiry Date	Due Date for Quotation
2681400008 - 79	22.05.2014	19.06.2014
Please quote Enquiry No, Date and due date in all correspondences. This is only a request for quotation and not an order. <u>Bid should be submitted in Two Parts. 1. Techno-commercial Bid (Part-I) and 2. Price Bid (Part-II) in a separate sealed cover and both the covers must be placed in a Third Cover and Sealed. Our Enquiry No., Enq. date & Enq. Due date must be written on all Three covers.</u>		

Item	Description	Unit	Quantity	Delivery Quantity	Schedule Date
10	ANCHORING TOOTHED STUD AS PER DRG NO 4M-18A-15-28241-01, SL.NO: 01, LENGTH (A) = 150 MM, MATERIAL: INCONNEL-600, WORKING TEMPERATURE: 1150 DEG C. NOTE: SUPPLIERS MAY BE ASKED TO PROVIDE CATALOGUES SUPPORTING TECHNICAL SPECIFICATIONS IN THEIR OFFERS/QUOTATIONS.	NO	2000.000	2,000.00	28.07.14
20	ANCHORING TOOTHED STUD AS PER DRG. NO 4M-18A-15-28241-01, SL.NO: 08, LENGTH (A) = 300 MM, MATERIAL: INCONNEL-600, WORKING TEMPERATURE:1150 DEG C.	NO	2000.000	2,000.00	28.07.14
30	METAL LOCK AS PER DRG.NO. 4M-18A-15-214 65 01, MATERIAL: INCONEL 600, WORKING TEMPERATURE: 1250 DEG C.	NO	3000.000	3,000.00	28.07.14

General Note:

VENDOR QUALIFICATION CRITERIA:

1. THE VENDOR SHOULD HAVE MINIMUM THREE YEARS EXPERIENCE IN SUPPLYING ABOVE ITEMS
2. VENDOR SHOULD ATTACH ALL PURCHASE ORDER COPIES ALONG WITH THEIR OFFER FOR HAVING SUPPLIED THE SAME ITEMS.
3. BHEL HAS THE RIGHT TO VISIT THE MANUFACTURING FACILITIES OF THE VENDOR SUPPLYING ABOVE ITEMS.
4. TEST CERTIFICATE FOR MATERIAL CONFIRMITY BY APPROVED LAB FOR ABOVE ITEMS MUST BE SUBMITTED BY VENDOR.

NOTE FOR ALL ITEMS :

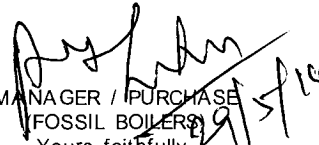
(1) ALL THE ABOVE ITEMS HAVE TO BE OFFERED FOR PRE-DESPATCH INSPECTION BY BHEL AT SUPPLIER'S WORKS.

(2) TEST CERTIFICATE FOR MATERIAL CONFIRMITY AS PER DRG. FROM GOVT APPROVED LAB. MUST BE PRODUCED DURING INSPECTION AND ORIGINAL SHOULD BE

The offers should reach us 30 minutes before the time of opening of tenders.

The offers will be opened at 14.30 hrs on the due date of tender in the presence of tenderers who have submitted their offer and who may like to be present for the tender opening late and delayed offers are liable to be rejected.

Yours faithfully,
For **BHARAT HEAVY ELECTRICALS LIMITED**


MANAGER / PURCHASE
FOSSIL BOILERS
Yours faithfully,



BHARAT HEAVY ELECTRICALS LIMITED

(A Government of India Undertaking)
HIGH PRESSURE BOILER PLANT
PURCHASE DEPARTMENT - FOSSIL BOILERS
THIRUCHIRAPALLI - 620014
TAMILNADU (INDIA)

PHONE :2577645
GRAMS : BHARATELEC
FAX NO: 2520719
E-mail: srchandran@bheltry.co.in
Web:

Page
2/2

2681400008 / 22.05.2014

SUBMITTED BY THE SUPPLIER ALONG WITH MATERIAL SUPPLY.
(3) SUPPLIERS ARE ASKED TO PROVIDE CATALOGUES SUPPORTING TECHNICAL SPECIFICATIONS IN THEIR OFFERS/QUOTATIONS.

General Note:

1. Please submit your detailed offer in two part bid system i.e Part-I :- Technical bid + Checklist (Annexure-A) + Unpriced bid indicating taxes & duties (Annexure-B) in a sealed cover super scribing on the cover as "TECHNICAL & COMMERCIAL BID / PART-I"
Part-II :- Priced offer in another separate sealed cover super scribing on the cover as "PRICE BID / PART-II"
Both the covers shall be duly super-scribed with tender reference and due date of opening. These covers shall be put in a single cover duly super-scribed with tender reference and due date of opening and addressed to us.
2. Point-to-point confirmation to BHEL's specification and commercial terms & conditions shall be provided Annexure-A. All the Annexures should be filled and submitted along with the technical bid (no row shall be left blank), else your offer is liable for rejection.
3. Offers with validity of less than 120 days and non-acceptance of LD , RP clause & Payment terms, will lead to rejection of submitted offer.
4. Order shall be placed on single vendor on cumulative L1 basis for total machines
5. If the due date of tender opening happens to be a holiday, the tenders will be opened on the next working day.
6. Corrigendum if any, with respect to this tender will be hosted only in the website <http://www.bhel.com> or <http://tenders.gov.in>. You are requested to visit the website regularly for updates.

List of Attachments:


1. Commercial Terms and Conditions - Annexure-A
2. Price Bid format - Annexure-B
3. CA Certificate for MSE Vendors-Annexure-I
4. DWGs 4M-18A-15-28241-01, 4M-18A-15-21465-01 & 4M-18A15-21460-01

Enclosures:

"LD clause has to be confirmed without fail."
"Payment to vendors will be made only thro E-Payment mode"

The offers should reach us 30 minutes before the time of opening of tenders.
The offers will be opened at 14.30 hrs on the due date of tender in the presence of tenderers who have submitted their offer and who may like to be present for the tender opening. Late and delayed offers are liable to be rejected.

Yours faithfully,
For BHARAT HEAVY ELECTRICALS LIMITED


MANAGER / PURCHASE
(FOSSIL BOILERS)
Yours faithfully,



BHARAT HEAVY ELECTRICALS LIMITED

(A Government of India Undertaking)
HIGH PRESSURE BOILER PLANT
PURCHASE DEPARTMENT - FOSSIL BOILERS
THIRUCHIRAPALLI - 620014
TAMILNADU (INDIA)

PHONE :2577645
GRAMS : BHARATELEC
FAX NO: 2520719
E-mail: srchandran@bheltry.co.in
Web:

429-002/A

	Enquiry No 2681400008 - 79	Enquiry Date 22.05.2014	Due Date for Quotation 19.06.2014
Please quote Enquiry No, Date and due date in all correspondences. This is only a request for quotation and not an order. <u>Bid should be submitted in Two Parts. 1. Techno-commercial Bid (Part-I) and 2. Price Bid (Part-II) in a separate sealed cover and both the covers must be placed in a Third Cover and Sealed. Our Enquiry No, Enq. date & Enq. Due date must be written on all Three covers.</u>			

Item	Description	Unit	Quantity	Delivery Quantity	Schedule Date
10	ACHORING TOOTHED STUD AS PER DRG NO 4M-18A-15-28241-01, SL.NO: 01, LENGTH (A) = 150 MM, MATERIAL: INCONNEL-600, WORKING TEMPERATURE: 1150 DEG C. NOTE: SUPPLIERS MAY BE ASKED TO PROVIDE CATALOGUES SUPPORTING TECHNICAL SPECIFICATIONS IN THEIR OFFERS/QUOTATIONS.	NO	2000.000	2,000.00	28.07.14
20	ANCHORING TOOTHED STUD AS PER DRG. NO 4M-18A-15-28241-01, SL.NO: 08, LENGTH (A) = 300 MM, MATERIAL: INCONNEL-600, WORKING TEMPERATURE:1150 DEG C.	NO	2000.000	2,000.00	28.07.14
30	METAL LOCK AS PER DRG.NO. 4M-18A-15-214 65-01, MATERIAL: INCONEL 600, WORKING TEMPERATURE: 1250 DEG C.	NO	3000.000	3,000.00	28.07.14

General Note:

VENDOR QUALIFICATION CRITERIA:

1. THE VENDOR SHOULD HAVE MINIMUM THREE YEARS EXPERIENCE IN SUPPLYING ABOVE ITEMS
2. VENDOR SHOULD ATTACH ALL PURCHASE ORDER COPIES ALONG WITH THEIR OFFER FOR HAVING SUPPLIED THE SAME ITEMS.
3. BHEL HAS THE RIGHT TO VISIT THE MANUFACTURING FACILITIES OF THE VENDOR SUPPLYING ABOVE ITEMS.
4. TEST CERTIFICATE FOR MATERIAL CONFIRMITY BY APPROVED LAB FOR ABOVE ITEMS MUST BE SUBMITTED BY VENDOR.

NOTE FOR ALL ITEMS :

- (1) ALL THE ABOVE ITEMS HAVE TO BE OFFERED FOR PRE-DESPATCH INSPECTION BY BHEL AT SUPPLIER'S WORKS.
- (2) TEST CERTIFICATE FOR MATERIAL CONFIRMITY AS PER DRG. FROM GOVT APPROVED LAB. MUST BE PRODUCED DURING INSPECTION AND ORIGINAL SHOULD BE

The offers should reach us 30 minutes before the time of opening of tenders. The offers will be opened at 14.30 hrs on the due date of tender in the presence of tenderers who have submitted their offer and who may like to be present for the tender opening.Late and delayed offers are liable to be rejected.

Yours faithfully,
For **BHARAT HEAVY ELECTRICALS LIMITED**

MANAGER / PURCHASE
(FOSSIL BOILERS)
Yours faithfully,

BHARAT HEAVY ELECTRICALS LIMITED

(A Government of India Undertaking)
HIGH PRESSURE BOILER PLANT
PURCHASE DEPARTMENT - FOSSIL BOILERS
THIRUCHIRAPALLI - 620014
TAMILNADU (INDIA)

Page
2/2

PHONE :2577645
GRAMS : BHARATELEC
FAX NO: 2520719
E-mail: srchandran@bheltry.co.in
Web:

2681400008 / 22.05.2014

SUBMITTED BY THE SUPPLIER ALONG WITH MATERIAL SUPPLY.

(3) SUPPLIERS ARE ASKED TO PROVIDE CATALOGUES SUPPORTING TECHNICAL SPECIFICATIONS IN THEIR OFFERS/QUOTATIONS.

General Note:

1. Please submit your detailed offer in two part bid system i.e Part-I :- Technical bid + Checklist (Annexure-A) + Unpriced bid indicating taxes & duties (Annexure-B) in a sealed cover super scribing on the cover as "TECHNICAL & COMMERCIAL BID / PART-I" Part-II :- Priced offer in another separate sealed cover super scribing on the cover as "PRICE BID / PART-II" Both the covers shall be duly super-scribed with tender reference and due date of opening. These covers shall be put in a single cover duly super-scribed with tender reference and due date of opening and addressed to us.

2. Point-to-point confirmation to BHEL's specification and commercial terms & conditions shall be provided Annexure-A. All the Annexures should be filled and submitted along with the technical bid (no row shall be left blank), else your offer is liable for rejection.

3. Offers with validity of less than 120 days and non-acceptance of LD , RP clause & Payment terms, will lead to rejection of submitted offer.

4. Order shall be placed on single vendor on cumulative L1 basis for total machines

5. If the due date of tender opening happens to be a holiday, the tenders will be opened on the next working day.

6. Corrigendum if any, with respect to this tender will be hosted only in the website <http://www.bhel.com> or <http://tenders.gov.in>. You are requested to visit the website regularly for updates.

List of Attachments:

1. Commercial Terms and Conditions - Annexure-A
2. Price Bid format - Annexure-B
3. CA Certificate for MSE Vendors-Annexure-I
4. DWGs 4M-18A-15-28241-01, 4M-18A-15-21465-01 & 4M-18A15-21460-01

Enclosures:

"LD clause has to be confirmed without fail."
"Payment to vendors will be made only thro E-Payment mode"

The offers should reach us 30 minutes before the time of opening of tenders. The offers will be opened at 14.30 hrs on the due date of tender in the presence of tenderers who have submitted their offer and who may like to be present for the tender opening. Late and delayed offers are liable to be rejected.

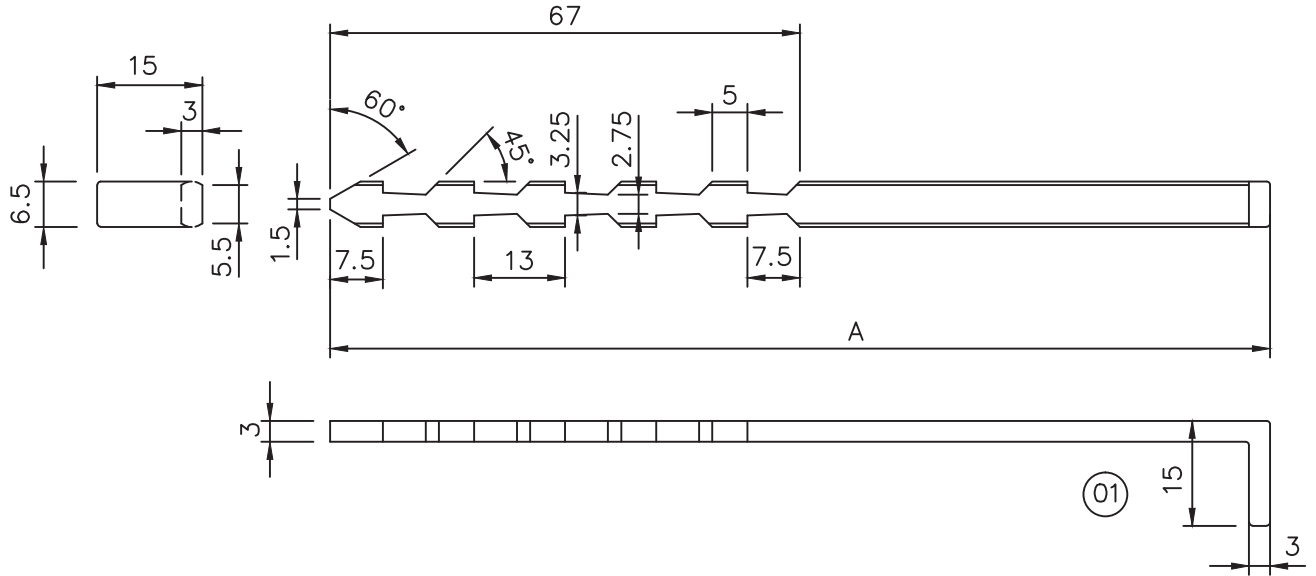
Yours faithfully,
For **BHARAT HEAVY ELECTRICALS LIMITED**

MANAGER / PURCHASE
(FOSSIL BOILERS)
Yours faithfully,

CAUTION: THIS DRAWING IS OUR SOLE PROPERTY AND SHOULD NOT BE USED IN ANY FORM FOR ANY PURPOSE WITHOUT THE WRITTEN PERMISSION OF BHARAT HEAVY ELECTRICALS LIMITED TRICHIRAPPALLI - 620 014.

ALL DIMENSIONS ARE IN MM

3.2/1



SL No.	A	Wt
01	150	0.021
02	(175)	0.025
03	200	0.028
04	100	0.014
05	(225)	0.032
06	(115)	0.016
07	75	0.011
08	300	0.042

WORKING TEMP	MATAL. *
950°C	SS AISI 310
1150°C	INCONEL 600

NOTE: -

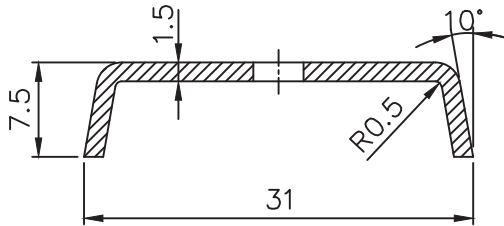
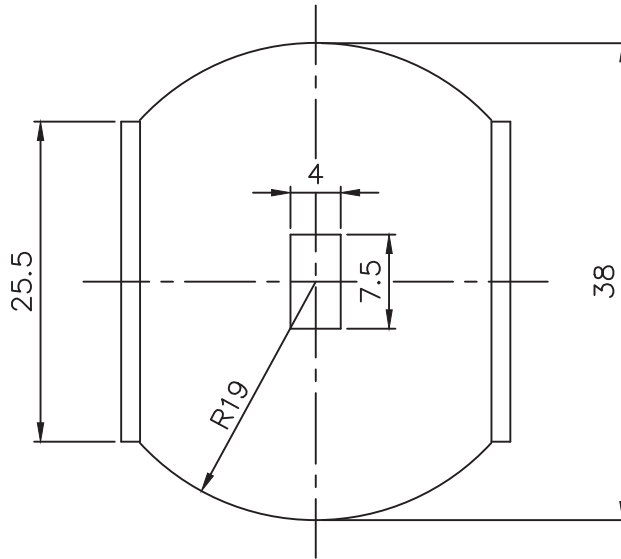
FOR METAL LOCK REF.DRG.No.4M-18A15-21465.
 FOR CUP LOCK REF.DRG No.4M-18A15-21460.
 BRACKETED DIMENSION USED FOR PRECON-17-96KW.

No. of Pieces	DESCRIPTION	MATERIAL	STANDARD	NET.WT.IN KGS.	DRAWING No.	ITEM No.
	REFERENCE: TCD FROM 3M-18A15-08953 Y.		ALTERATIONS:	DCN REF	DATE	SIGN.
	SCALE: DRAWN/TCD N.MANOJ		BEND PORTION 15 MM ADDED		04/10/12	RRM
	CHECKED R.Ramamoorthy					
	APPROVED C.S.Jayasheelan					
	DATE 03-01-84/12-09-08					
MACHINE: ELE. FURNACE ACCESSORIES			TYPE: CERAMIC LINING.			
TITLE: ANCHORING TOOTHED STUD			DRAWING No:			REV.
			4M18A152824101			01
			No. of Sheets:		Sheet No:	

CAUTION: THIS DRAWING IS OUR SOLE PROPERTY AND SHOULD NOT BE USED IN ANY FORM FOR ANY PURPOSE WITHOUT THE WRITTEN PERMISSION OF BHARAT HEAVY ELECTRICALS LIMITED TRICHERAPPALLI - 620 014.

ALL DIMENSIONS ARE IN MM

3.2//✓✓✓



WORKING TEMP	MATL *
950°C	SS AISI 310
1250°C	INCONEL 600

NOTE: -

FOR CUPLOCK REF.DRG.NO: 4M-18A15-21460.

FOR ANCHORING TOOTHED STUD. REF.DRG.NO: 3M-18A15-08953.

No. of Pieces		DESCRIPTION		MATERIAL		STANDARD		NET. W.t(kg)		CROSS. W.t(kg)		DRAWING No.		ITEM No.	
REFERENCE:		ALTERATIONS:		DCN REF		DATE		SIGN.		INDEX					
SCALE		DRAWN/TCD		N.MANOJ		DRG. MODIFIED TO DATE		15.03.12		CSJ		01			
CHECKED		R.RAMAMOORTHY													
APPROVED		C.S.JAYASHEELAN													
DATE		05-01-84/12-09-08													
MACHINE: ELE. FURNACE ACCESSORIES.		TYPE: CERAMIC LINING.													
TITLE:		DRAWING No:		4M18A152146501		REV.									
METAL LOCK		Sheet No:				No. of Sheets:									

BHARAT HEAVY ELECTRICALS LIMITED TIRUCHIRAPALLI
CAPITAL PURCHASE

Annexure-A

ACCEPTANCE OF COMMERCIAL TERMS AND CONDITIONS BY THE VENDORS.

(This should be essentially filled in and sent along with the techno-commercial offer without fail. If this check list is not filled and submitted along with techno-commercial offer (Part I) or if the vendor does not confirm acceptance to the terms and conditions proposed, BHEL reserves the right to reject such offer)

CHECK-LIST FOR VENDORS

SI No	DESCRIPTION
	<p>The Bidders shall submit the offer in TWO INNER ENVELOPES as indicated below which shall be sealed in one outer envelope.</p> <ul style="list-style-type: none"> ❖ Envelope I: This sealed envelope should contain all the copies of technical bid together with un-priced commercial bid. This envelope should be clearly marked “Part I - Technical and commercial bid”, indicating Enquiry No., Due Date and Address & Reference of the Bidder. ❖ Envelope II: This sealed envelope should contain price details. This envelope should be clearly marked “Part II - Price bid”, indicating Enquiry No., Due Date and Address & Reference of the Bidder. This part should contain the schedule of price particulars and must be co-related to the technical details provided in Part I. <p>All the two envelopes (Part I&II) shall be put in one cover, duly sealed, super scribing as Part I and Part II of Enquiry No., due date of opening and the address and reference of the Bidder. The offer received without the above guidelines, will not be considered for opening</p> <p>The above offer should reach this office on or before the due date by 14.00 Hrs (IST). Late offers will not be considered.</p> <p>Tender should not be addressed to any Individual’s name but only by designation to:</p> <p align="center">DGM / CAPITAL PURCHASE / MFG BHARAT HEAVY ELECTRICALS LIMITED HIGH PRESSURE BOILER PLANT TIRUCHIRAPALLI - 620 014 TAMIL NADU, INDIA</p> <p>Tenders should be free from CORRECTION AND ERASURES, Corrections if any, must be attested. All amounts shall be indicated both in words as well as in figures. In case of any difference between amount quoted in words and figures, amount quoted in words shall prevail.</p> <p>Offers should be in ENGLISH and accompanied by detailed technical literature, catalogue and detailed dimensional drawings in ENGLISH or otherwise, the offers will not be considered.</p>
	<p><u>OPENING OF TENDERS</u></p> <p>The Part I- Technical & commercial bid would be opened on the Tender opening date. The Part II - Price bid of Technically suitable Bidders alone would be opened. The Technically suitable Bidders would be informed about the tender opening date. Clarifications if any required by BHEL for Technical evaluation would be sought from bidders before opening of Part II - price bid.</p>
	<p>Taxes and Duties</p> <p>All Taxes and Duties payable as extra to the quoted price should be specifically stated in offers along with CST & TIN No / Tariff No. etc., failing which the purchaser will not be liable for payment of such Taxes and Duties. Our TIN No. 33243560005, TNGST No. 3560005, CST. No. 239383 Dt. 11-06-1991 & BHEL ECC No. AAACB4146PXM012, Service Tax Reg No (STC)- AAACB4146PST006. Assessment circle Tiruverambur.</p> <p>Cenvat credit & VAT credit (for Indian Bidders only): If any Excise Duty is payable, the chapter head / sub-head reference and the rate of the duty should be quoted. If the tenderer is availing CENVAT credit for his input materials, the effect of proforma credit should be passed on to the purchaser</p> <p>Income Tax applicable Any service charges payable towards supervision of E&C, training, performance prove-out etc., will be released after deduction of Income Tax as per Indian Income Tax Act / as per the Govt. of India rules and TDS certificate will be issued by BHEL for such deductions. Applicable service tax on E&C charges will be payable extra. The liability of depositing the same to the Govt. will be of the supplier</p>
	<p>No row shall be left blank. Please indicate NA, in case the item is “not applicable”</p>
	<p>Vendo’s confirmation</p>

4.	Validity: Validity of the offer should be 120 days from the date of tender opening.	
5.	<p>Release of PO & Payment terms:</p> <ul style="list-style-type: none"> ➤ Purchase Orders will be released on the successful L1 vendor. ➤ 100% payment, within 45 to 90 days, after receipt, acceptance of equipment/ materials at BHEL, Tiruchi. <p style="color: red;">Any deviation in the above payment term will attract loading as mentioned below. "Base rate of SBI (as applicable on the date of bid opening. Techno-commercial bid opening in case of two part bids) + 6% shall be considered for loading for the period of relaxation sought by bidders.</p>	
6.	<p>Liquidated damages (LD): The delivery of the goods specified in the purchase order should be made within the time prescribed. LD for delay in 'Supply' and/or 'I&C' will be applicable to the delays attributed to vendor. LD will be considered separately for 'Delivery' and 'I &C'. Where the seller supplies or dispatches the goods, beyond the delivery period Liquidated damages shall be applicable 0.5% of the total order value per week or part thereof subject to a maximum of 10% of the total order value.</p> <p>For staggered delivery schedule, LD shall be 0.5% of the undelivered portion per week of the delay or part thereof subject to a maximum of 10% of the total order value.</p> <p>Any deviation from the above LD clause, loading will be applied to the extent to which it is not agreed by the bidder (at offered value).</p>	
7.	<p>Risk Purchase: Alternatively the purchaser at his option will be entitled to terminate the contract and to purchase elsewhere at the risk and cost of the seller either the whole of the goods or any part which the supplier has failed to deliver or despatch within the time stipulated as aforesaid or if the same were not available from the best and the nearest available substitute. The supplier shall be liable for any loss which the Purchaser may sustain by reason of such risk purchases..</p>	
8.	<p>Delivery terms and evaluation process: Indian Bidders should submit their offer for FOR BHEL, Tiruchy basis. Packing & Forwarding and Freight & Insurance charges from works to BHEL, Tiruchy to be indicated separately if extra from basic rate. . Applicable % of ED & Sales Tax , Commissioning Charges should be clearly indicated. Evaluation of offers shall be on the basis of delivered cost (Net cash outflow to BHEL)</p>	
9.	<p>Guarantee: Vendors shall provide a guarantee for a period of 12 months from the date of commissioning of the equipment or 18 months from date of supply, whichever is earlier. The date of B/L or AWB shall be taken as the date of supply. <u>Offers from vendors not accepting the requested guarantee period will be rejected.</u></p>	
10.	<p>Short shipment / Warranty replacement: In case of any short shipment in the main equipment / spares, customs duty levied on such supplies, shall be borne by the supplier. Any warranty replacement during the warrantee period shall be on FOR, BHEL, Tiruchirappalli, basis.</p>	
11.	<p>Inspection & Testing: All goods shall be subject to inspection by BHEL or its authorized representatives at supplier's works or at BHEL stores or at any other place in India indicated by BHEL as the case may be. The supplier will not charge for the facilities provided for inspection of goods. In case of machine tools, the machine would be inspected and proved at supplier's works prior to dispatch however, final inspection and acceptance of the machine will be carried after installation of the machine at BHEL, Tiruchirappalli.</p>	
12.	<p>Test certificates / Operating and Maintenance manuals : The Bidders shall clearly mention in their offer, that Test Certificates and Operating Maintenance Manuals, etc., as called for in the Technical Specification, in the required number of copies will be provided at no extra cost</p>	
13.	<p>Payment through Bank is not preferred. In case of Payment through Bank is opted by Supplier, BHEL prefers documents submission through bank with copy of LR and door delivery of Goods to Site/Stores with Consignee copy attached. In this case Loading will be 3% on the offered value. Offers of indigenous Suppliers with payment terms as LC/Advance Payment are liable for rejection.</p>	
14.	<p style="background-color: yellow;">BHEL will consider the ranking after the loading is applied as referred above wherever deviations are observed.</p>	
15.	<p>Special Provisions for Micro and Small Enterprises (MSE)</p> <p>MSE suppliers can avail the intended benefits only if they submit along with offer, attested copies of either EM II (Entrepreneur Memorandum Part II) certificate having deemed validity (five years from the date of issue of acknowledgement in EM II) or valid NSIC certificate or EM II certificate along with attested copy of a CA certificate (Format enclosed as per Annexure - I) applicable for the relevant financial year (latest audited), certifying quantum of investment in plant and machinery within the permissible limit as per the act for relevant status (Micro or small) where the deemed validity of EM II is over. Date to be reckoned for determining the deemed validity will be the last date of technical bid submission. Offer/s received without these documents will lead to consideration of their offer at par with other bidders and MSE status of such suppliers shall be shifted to Non MSE supplier.</p>	

16.	<ul style="list-style-type: none"> ➤ Point to point confirmation for the Technical Specification enclosed to be provided. If there are any deviations, the same should be clearly specified. Offers received without confirmation to our specifications will be liable for rejection. If needed additional sheets shall be used. ➤ Equipment/goods offered shall be "New". Re-built / Re-conditioned / Used equipment's will not be accepted. Incomplete offers will not be considered for further processing Fixed price: ➤ BHEL reserves its right to reject a tender due to unsatisfactory past performance in the execution of a contract at any of BHEL projects / units. ➤ BHEL shall be at liberty to reject or accept any tender, part or in full, at their own discretion and any such action is not liable for any question or claim against BHEL. ➤ The vendor shall provide necessary drawings, Test Certificates and Operating Maintenance Manuals etc., as called for in the Technical Specification, in the required number of copies at no extra cost ➤ The Supplier shall arrange for securely protecting and packing the stores to avoid loss or damages during transit. 		
17.	Company Details & Contact		
	Full Address of the company:		
	Company Email ID:	Phone No.:	
	Fax No	Pan No with copy	
	CST /TIN No		
	Name of the contact person:	Mobile No.:	
	e-mail ID		
18.	TO BE CONFIRMED BY VENDOR		
	Country of origin:		
	Station of dispatch/Port Of Shipment		
	Delivery Terms (For destination/Ex-works)		
	Packing & Forwarding Charges in % or Lump sum, if extra from basic rate		
	% of Excise Duty with cess		
	% of TAX (CST/VAT) (TNGST with FORM-17 or CST with C-FORM)		
	Freight & transit insurance charges (if any, in Lumpsum (or) percentage) from Dispatching station to BHEL Tiruchirappalli, (Note:If the delivery terms is Ex Works the materials has to be sent through BHEL approved carrier only, in this case the freight & Insurance will be borne by BHEL)		
19.	Delivery from the date of Letter of Intent / Purchase Order. (This should be inclusive of Order acceptance, drawing approval and time period required for dispatch (B/L or AWB date) etc.,		
20.	Weight & Cubage of package: Approximate Net weight of the total consignment: Approximate Gross weight of the total consignment: Approximate volume of the total consignment:		
For any queries / clarifications the bidders may contact us through our FAX NO. +91 431 2520719 or through e-mail <pgavictor@bheltry.co.in>			

NOTE:-

- a) Your specific acceptances to our Payment terms, LD, Risk Purchase Clause are essential for consideration of your offer. Otherwise your offer is liable for rejection.
- b) No row shall be left blank. Please indicate NA, in case the item is "not applicable"

Declaration:-

We have gone through and understood the 'General guidelines & instructions to bidders for submitting offer' enclosed as a part of the Tender and confirm that our offer has been made in line with the same.

(AFFIX OFFICIAL SEAL HERE)

Signature with date:

Name:

Designation:

Department:

(PLEASE AFFIX YOUR SIGNATURE WITH SEAL ON EACH PAGE)

MODEL PRICE BID FORMAT FOR INDIAN BIDDERS

Enquiry No. & Date:

Bidder's Offer No. & Date:

Sl No	Description of item	Unit	QTY	Basic Rate in Rs	ED in %	VAT/CST in % (TNGST with FORM-17 or CST with C-FORM)	Value in Rs. Including all taxes & duties
10	As per enquiry specifications						
20	As per enquiry specifications						
30	As per enquiry specifications						
	Packing & Forwarding charges (if any) in percentage (or) Lumpsum						
	FOR Dispatching station value in Rs.						
	Percentage of Freight & transit insurance charges, if any (Lumpsum or %) Freight & Insurance charges from Dispatching station to BHEL, Tiruchirappalli (Note:If the delivery terms is Ex Works the materials has to be sent through BHEL approved carrier only, in this case the freight & Insurane will be borne by BHEL)						
	Approximate Net weight of the total consignment						
	Approximate Gross weight of the total consignment						
	Approximate Dimensions of the Consignment						

Signature & Seal of Vendor

The price bid should be submitted only as per the above format. No row shall be left blank. Please indicate NA, in case the item is "not applicable"

Certificate by Chartered Accountant on letter head

This is to Certify that M/S
(hereinafter referred to as 'company') having its registered office at
..... is registered under MSMED Act 2006, (Entrepreneur
Memorandum No (Part-II) dtd:.....,
Category: (Micro/Small)). (Copy enclosed).

Further verified from the Books of Accounts that the investment of the company as on
date..... as per MSMED Act 2006 is as follows:

1. **For Manufacturing Enterprises:** Investment in plant and machinery (i.e. original cost excluding land and building and the items specified by the Ministry of Small Scale Industries vide its notification No.S.O.1722(E) dated October 5, 2006 :
Rs.....Lacs
2. **For Service Enterprises:** Investment in equipment (original cost excluding land and building and furniture, fittings and other items not directly related to the service rendered or as may be notified under the MSMED Act, 2006:
Rs.....Lacs

The above investment of Rs.....Lacs is within permissible limit of
Rs.....Lacs forMicro / Small (~~Strike off which is not applicable~~)
Category under MSMED Act 2006.

Date:

(Signature)

Name -

Membership number -

Seal of Chartered Accountant