



BHARAT HEAVY ELECTRICALS LIMITED

(A Government of India Undertaking)
HIGH PRESSURE BOILER PLANT
PURCHASE DEPARTMENT - FOSSIL BOILERS
THIRUCHIRAPALLI - 620014
TAMILNADU (INDIA)

PHONE :2577645
GRAMS : BHARATELEC
FAX NO: 2520719
E-mail: srchandran@bheltry.co.in
Web:

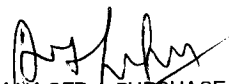
429-002/A

	Enquiry No 2681400012 - 79	Enquiry Date 12.06.2014	Due Date for Quotation 09.07.2014
Please quote Enquiry No, Date and due date in all correspondences. This is only a request for quotation and not an order. <u>Bid should be submitted in Two Parts. 1. Techno-commercial Bid (Part-I) and 2. Price Bid (Part-II) in a separate sealed cover and both the covers must be placed in a Third Cover and Sealed. Our Enquiry No., Enq. date & Enq. Due date must be written on all Three covers.</u>			

Item	Description	Unit	Quantity	Delivery Quantity	Schedule Date
10	Insulation Bricks Cold Face as per IS:2042 Type-III. Size: 230 X 115 X 76 MM. Specification: 1. Service Temperature: 850 deg C max. 2. Bulk Density: 0.75 g / cm3 max. 3. Apparent Porosity: 65% min. 4. Cold Crushing Strength: 7 Kg / cm2 min. 5. PLC after Reheating for 24 hrs (%): 2 at 850 deg C. 6. Size tolerance: + / - 2%	NO	8000.000	8,000.00	28.07.14
20	Insulation Bricks Hot Face as per IS:2042 Type-II. Size: 230 X 115 X 76MM Specification: 1. Service Temperature: 1250 deg C max. 2. PCE OC: 27 3. Bulk Density: 0.9 g / cm3 max. 4. Apparent Porosity: 60% min. 5. Cold Crushing Strength: 15 Kg / cm2 min. 6. PLC after Reheating for 24 hrs (%): 1.5 at 1250 deg C. 7. Size tolerance: + / - 2%	NO	4600.000	4,600.00	28.07.14
30	SHAPPED BRICK AS PER DRG.NO.4M 18D 05 28036 SHAPPED BRICK AS PER DRG.NO.4M 18D 05 28036	NO	500.000	500.00	28.07.14
40	BURNER BLOCK AS PER DRG.NO. 3M-18D-04/03-00274-01 BURNER BLOCK AS PER DRG.NO. 3M-18D-04/03-00274-01	NO	150.000	150.00	28.07.14
50	IS 8, Fire brick, size: 230 mm X 115 mm X 75 mm NOTE: Material should be crack free and material with cracks will not be accepted. Test certificate for material confirmity	NO	5500.000	5,500.00	28.07.14

The offers should reach us 30 minutes before the time of opening of tenders. The offers will be opened at 14.30 hrs on the due date of tender in the presence of tenderers who have submitted their offer and who may like to be present for the tender opening. Late and delayed offers are liable to be rejected.

Yours faithfully,
For **BHARAT HEAVY ELECTRICALS LIMITED**


MANAGER / PURCHASE
FOSSIL BOILERS)

Yours faithfully,



BHARAT HEAVY ELECTRICALS LIMITED

(A Government of India Undertaking)
HIGH PRESSURE BOILER PLANT
PURCHASE DEPARTMENT - FOSSIL BOILERS
THIRUCHIRAPALLI - 620014
TAMILNADU (INDIA)

Page
2/4

PHONE :2577645
GRAMS : BHARATELEC
FAX NO: 2520719
E-mail: srchandran@bheltry.co.in
Web:

2681400012 / 12.06.2014

from approved
lab.should be submitted along with supply of
materials.Material should
be supplied in single batch.If to be supplied in
batches each batche
should be accompanied with Test
certificate.Bricks should have the
Company emblem engraved.
IS 8, Fire brick, size: 230 mm X 115 mm X 75
mm

60	NO	500.000	500.00	28.07.14
SHAPED BRICK AS PER DRG. NO. 4M-18D-05-29639 SHAPED BRICK AS PER DRG. NO. 4M-18D-05-29639				

70	NO	600.000	600.00	28.07.14
CERAMIC CUPLOCK FOR TOOTHED STUD (LONG TYPE) AS PER DRG NO 4-M-18A-15-21460-01				

80	NO	300.000	300.00	28.07.14
----	----	---------	--------	----------

IS:8 SHAPED BRICK 460X115X75MM

NOTE FOR ALL ITEMS :

(1) ALL ITEMS HAVE TO BE OFFERED FOR
PRE-DESPATCH INSPECTION BY BHEL AT
VENDOR'S WORKS.
(2) MATERIALS SHOULD BE CRACK FREE AND
MATERIAL WITH CRACKS WILL NOT BE
ACCEPTED.
(3)TEST CERTIFICATE FOR MATERIAL
CONFIRMITY AS PER DRG. FROM GOVT.
APPROVED LAB. MUST BE PRODUCED DURING
INSPECTION AND ORIGINAL SHOULD BE
SUBMITTED ALONG WITH MATERIALS SUPPLY

(4) MATERIALS SHOULD BE SUPPLIED IN
SINGLE BATCH/PACKING ALONG WITH
ORIGINAL TEST CERTIFICATE. IN CASE OF
MULTIPLE BATCH SUPPLIES,EACH
BATCH/PACKING SHOULD BE ACCOMPANIED
BY ORIGINAL TEST CERTIFICATE.

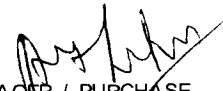
(5)BRICKS SHOULD HAVE MANUFACTURER
COMPANY EMBLEM ENGRAVED ON IT.

VENDOR QUALIFICATION CRITERIA:

1. THE VENDOR SHOULD HAVE MINIMUM
THREE YEARS EXPERIENCE IN SUPPLYING
ABOVE ITEMS
2. VENDOR SHOULD ATTACH ALL PURCHASE
ORDER COPIES ALONG WITH THEIR OFFER
FOR HAVING SUPPLIED THE SAME ITEMS.
3. BHEL HAS THE RIGHT TO VISIT THE
MANUFACTURING FACILITIES OF THE
VENDOR SUPPLYING ABOVE ITEMS.
4. TEST CERTIFICATE FOR MATERIAL
CONFIRMITY BY APPROVED LAB FOR ABOVE
ITEMS MUST BE SUBMITTED BY VENDOR.

The offers should reach us 30 minutes before the time of opening of tenders.
The offers will be opened at 14.30 hrs on the due date of tender in the presence of
tenderers who have submitted their offer and who may like to be present for the tender
opening.Late and delayed offers are liable to be rejected.

Yours faithfully,
For **BHARAT HEAVY ELECTRICALS LIMITED**


MANAGER / PURCHASE
(FOSSIL BOILERS)
Yours faithfully,



BHARAT HEAVY ELECTRICALS LIMITED

(A Government of India Undertaking)
HIGH PRESSURE BOILER PLANT
PURCHASE DEPARTMENT - FOSSIL BOILERS
THIRUCHIRAPALLI - 620014
TAMILNADU (INDIA)

Page
3/4

PHONE :2577645
GRAMS : BHARATELEC
FAX NO: 2520719
E-mail: srchandran@bheltry.co.in
Web:

2681400012 / 12.06.2014

5. VENDOR COMPANY PROFILE DETAILS SHOULD BE SUBMITTED ALONG WITH THE OFFER.
6. ALL MATERIALS SHOULD BE FREE FROM CRACK.

General Note:

1. Please submit your detailed offer in two part bid system i.e Part-I. Technical bid+ Checklist (Annexure-A) + unpriced bid with indicating taxes & duties (Annexure-B) in a sealed cover super scribing on the cover as "TECHNICAL & COMMERCIAL BID / PART-II"
Part-II. Priced offer in another separate sealed cover super scribing on the cover as Part-II

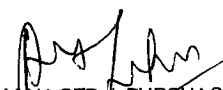
Both the covers shall be duly super-scribed with tender reference and due date of opening. These covers shall be put in a single cover duly super-scribed with tender reference and due date of opening and addressed to us.

2. Point-to-point confirmation to BHEL's specification and commercial terms & conditions shall be provided Annexure-A. All the Annexures should be filled and submitted along with the technical bid (no row shall be left blank), else your offer is liable for rejection.
3. If the due date of tender opening happens to be a holiday, the tenders will be opened on the next working day.
4. All clarifications may be sought at least ten days prior to tender due date, from the undersigned with due written request.
5. Order shall be placed on single vendor on cumulative L1 basis for total quantity
6. BHEL reserves the right to go for a reverse auction (RA) instead of opening the submitted sealed bid, which will be decided after technical evaluation. Information and general terms and conditions covering RA are given in commercial terms and conditions (Annexure-A/Point no.16)
7. Corrigendum if any, with respect to this tender will be hosted only in the website <http://www.bhel.com> or <http://tenders.gov.in>. You are requested to visit the website regularly for updates.
8. BHEL will consider MSME vendor as per Government guidelines.
9. Vendors are requested to avoid the loose or spiral bound bid documents.

List of Attachments:

The offers should reach us 30 minutes before the time of opening of tenders. The offers will be opened at 14.30 hrs on the due date of tender in the presence of tenderers who have submitted their offer and who may like to be present for the tender opening. Late and delayed offers are liable to be rejected.

Yours faithfully,
For **BHARAT HEAVY ELECTRICALS LIMITED**


MANAGER PURCHASE
(FOSSIL BOILERS)
Yours faithfully,



BHARAT HEAVY ELECTRICALS LIMITED

(A Government of India Undertaking)
HIGH PRESSURE BOILER PLANT
PURCHASE DEPARTMENT - FOSSIL BOILERS
THIRUCHIRAPALLI - 620014
TAMILNADU (INDIA)

PHONE :2577645
GRAMS : BHARATELEC
FAX NO: 2520719
E-mail: srchandran@bheltry.co.in
Web:

Page
4/4

2681400012 / 12.06.2014

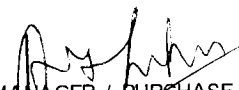
1. Drawings-3M18D0400274-1, 4M18A1521460-1, 4M18D0528036-0 & 4M18D0529639-0
2. Commercial Terms and Conditions - Annexure-A
3. Price Format-Annexure-B
4. CA Certificate for MSE Vendors-Annexure-III

Enclosures:

"LD clause has to be confirmed without fail."
"Payment to vendors will be made only thro E-Payment mode"

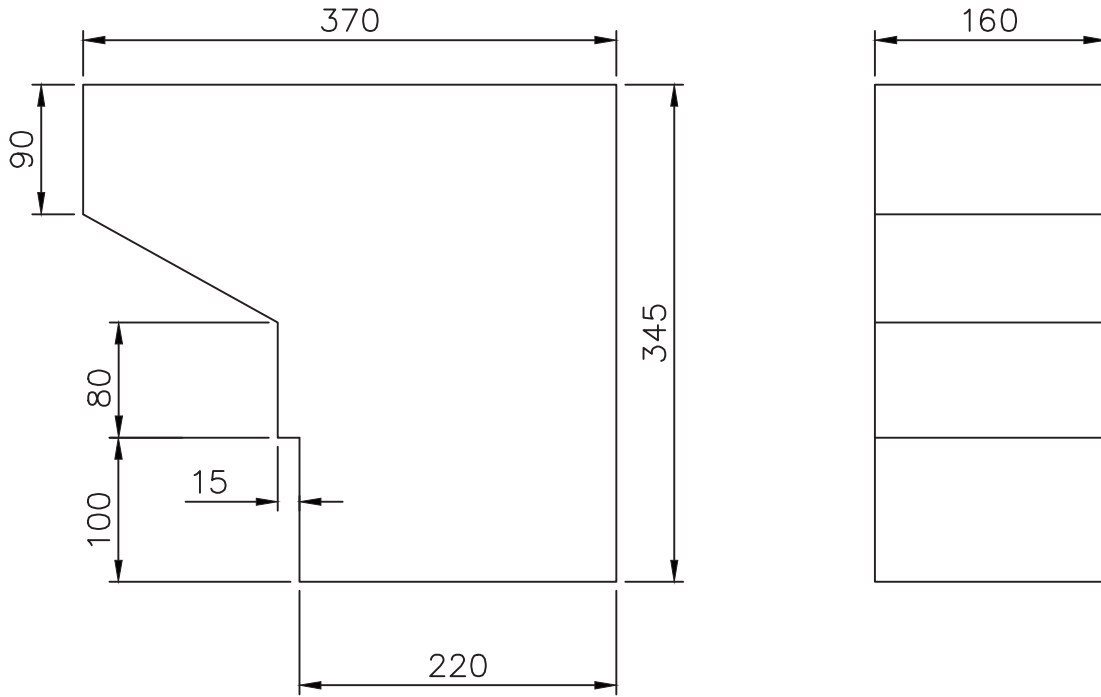
The offers should reach us 30 minutes before the time of opening of tenders.
The offers will be opened at 14.30 hrs on the due date of tender in the presence of tenderers who have submitted their offer and who may like to be present for the tender opening.Late and delayed offers are liable to be rejected.

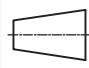
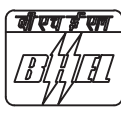
Yours faithfully,
For **BHARAT HEAVY ELECTRICALS LIMITED**


MANAGER / PURCHASE
(FOSSIL BOILERS)
Yours faithfully,

CAUTION: THIS DRAWING IS OUR SOLE PROPERTY AND SHOULD NOT BE USED IN ANY FORM FOR ANY PURPOSE WITHOUT THE WRITTEN PERMISSION OF BHARAT HEAVY ELECTRICALS LIMITED

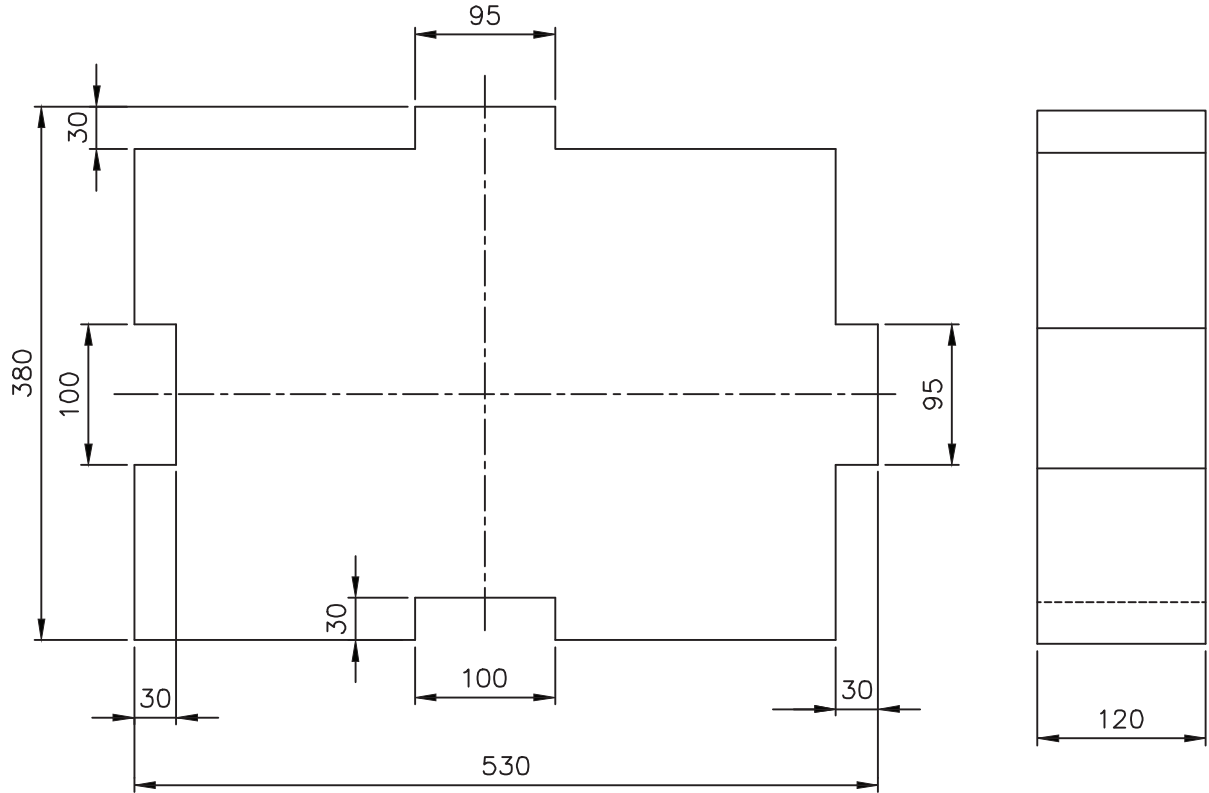
ALL DIMENSIONS ARE IN MM



				IS: 8			
No. of Pieces	DESCRIPTION			MATERIAL	STANDARD	NET.WT.IN KGS.	DRAWING No.
	REFERENCE:			ALTERATIONS:	DCN REF	DATE	SIGN.
SCALE	DRN.	T.T.BALAKRISHNAN	<i>T.T. Balakrishnan</i>				
1:5	CHD.	R.RAMAMOORTHY					
	APPD.	K.RAMANAN					
	DATE	08.08.2011					
MACHINE: PIPE HEATING DOUBLE BOGIE VULCAN				TYPE: 40T			
TITLE: SHAPED BRICK				DRAWING No:			
				4M18D0529639			
				Sheet No:		No. of Sheets:	

CAUTION: THIS DRAWING IS OUR SOLE PROPERTY AND SHOULD NOT BE USED IN ANY FORM FOR ANY PURPOSE WITHOUT THE WRITTEN PERMISSION OF BHARAT HEAVY ELECTRICALS LIMITED

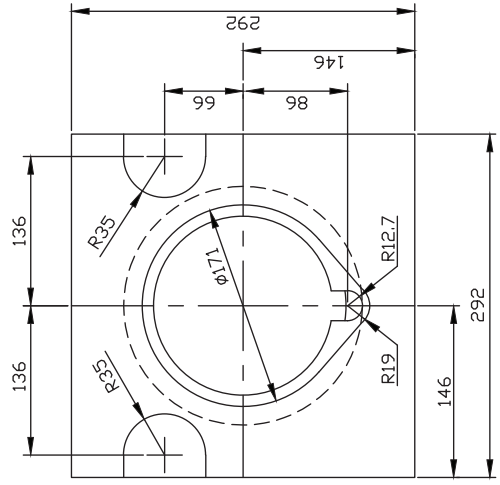
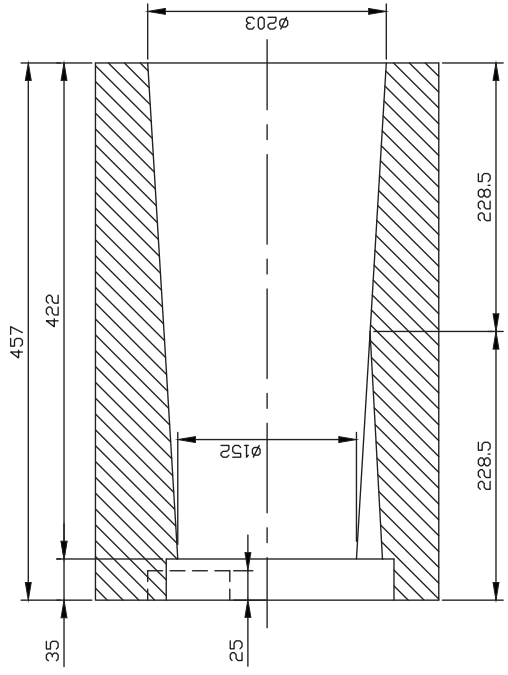
ALL DIMENSIONS ARE IN MM



		IS: 8										
No. of Pieces		DESCRIPTION		MATERIAL		STANDARD		NET.WT.IN KGS.		DRAWING No.		ITEM No.
		REFERENCE:				ALTERATIONS:		DCN REF	DATE	SIGN.	INDEX	
SCALE	DRAWN	P.ALBERT ROSS										
	CHECKED	R.RAMAMOORTHY										
1:5	APPROVED	C.S.JAYASHEELAN										
	DATE	18-08-07										
		MACHINE: PIPE HEATING DOUBLE BOGIE				TYPE: VULCAN 40 T						
		TITLE:				DRAWING No:						
		SHAPPED BRICK				4M18D0528036						
		(BOGIE ASSY.)				Sheet No:				No. of Sheets:		

THIS DRAWING IS OUR SOLE PROPERTY AND SHOULD NOT BE USED IN ANY FORM FOR ANY PURPOSE WITHOUT THE WRITTEN PERMISSION OF BHARAT HEAVY ELECTRICALS LIMITED TRICHIRAPPALI - 620 014.

ALL DIMENSIONS ARE IN MM



NOTE:

1. ALLOWANCE OF DIMENSIONS $\pm 2\%$
2. ALL EDGES SHOULD BE ROUNDED OFF 3MM WITHOUT INDICATION ON THE DRG.

CHEMICAL COMPOSITION

Al² O³ : 56-60%
 Fe² O³ : 1%
 CCS: 350kgf/cm²
 APP. POROSITY 24 to 29%
 BULK DENSITY 2.3 to 2.5gm/cc

No of Pieces	DESCRIPTION	SILIMINITE	IS: 2044	1M18D0300208	
		MATERIAL	STANDARD	NET.WT. IN KGS.	DRAWING No.
SCALE	DRAWN	REFERENCE:	ALTERATIONS:		DCN REF
			INCHES CONVERTED IN MM	DATE	SIGN.
1:4	CHECKED	R.RAMAMOORTHY		03.06.11	01
	APPROVED	C.S.JAYASHEELAN			
	DATE	14.06.11			
MACHINE: 100T CAR BOTTOM FURNACE		TYPE: INDOBERG 100T/ 50T			
TITLE:		DRAWING No: 03		REV.	
BURNER BLOCK		3M18D04002174		01	
		Sheet No:		No of Sheets:	

BHARAT HEAVY ELECTRICALS LIMITED TIRUCHIRAPALLI
CAPITAL PURCHASE

Annexure-A

ACCEPTANCE OF COMMERCIAL TERMS AND CONDITIONS BY THE VENDORS.

(This should be essentially filled in and sent along with the techno-commercial offer without fail. If this check list is not filled and submitted along with techno-commercial offer (Part I) or if the vendor does not confirm acceptance to the terms and conditions proposed herein, BHEL reserves the right to reject such offers)

CHECK-LIST FOR VENDORS

SI No	DESCRIPTION
1.	<p>The Bidders shall submit their offer in TWO INNER ENVELOPES as indicated below which shall be sealed in one outer envelope.</p> <ul style="list-style-type: none">❖ Envelope I: This sealed envelope should contain all the copies of technical bid together with un-priced commercial bid. This envelope should be clearly marked "Part I - Technical and commercial bid", indicating Enquiry No., Due Date and Address & Reference of the Bidder.❖ Envelope II: This sealed envelope should contain price details. This envelope should be clearly marked "Part II - Price bid", indicating Enquiry No., Due Date and Address & Reference of the Bidder. This part should contain the schedule of price particulars and must be co-related to the technical details provided in Part I. <p>All the two envelopes (Part I&II) shall be put in one cover, duly sealed, super scribing as "Part I and Part II of Enquiry No., due date of opening" and the address and reference of the Bidder. The offer received without the above guidelines, will not be considered for opening.</p> <p>The above offer should reach this office on or before the due date by 14.00 Hrs (IST). Late offers will not be considered. Tender should not be addressed to any Individual's name but only by designation to:</p> <p style="text-align: center;">DGM / CAPITAL PURCHASE / MFG 24 BUILDING, 4TH FLOOR BHARAT HEAVY ELECTRICALS LIMITED HIGH PRESSURE BOILER PLANT TIRUCHIRAPALLI - 620 014 TAMIL NADU, INDIA</p> <p>Tenders should be free from CORRECTIONS AND ERASURES. Corrections if any, must be attested. All amounts shall be indicated both in words as well as in figures. In case of any difference between amount quoted in words and figures, amount quoted in words shall prevail.</p> <p>Offers should be in ENGLISH and accompanied by detailed technical literature, catalogue and detailed dimensional drawings in ENGLISH or otherwise, the offers will not be considered.</p>
2.	<p><u>OPENING OF TENDERS</u></p> <p>The Part I- Technical & commercial bid would be opened on the Tender opening date.</p> <p>Part-II, Price bid of technically suitable Bidders alone would be opened after complete evaluation of Part-I. Hence the Bidders are required to submit their best competitive price in the price bid in a sealed cover (Part-II). In case of necessity BHEL reserves the right to go for a reverse auction (RA) instead of opening the submitted sealed bid, which will be decided after technical evaluation. Information and general terms and conditions covering RA are given in this Annexure- I (Point no.16).</p> <p>Date and time of Price Bid (Part-II) opening / RA conducting date shall be intimated to the technically and commercially acceptable bidders only. Clarifications if any required by BHEL for Technical evaluation would be sought from bidders before opening of Part II - Price Bid/ RA</p>
3.	<p><u>TAXES AND DUTIES :</u></p> <p>All Taxes and Duties payable as extra to the quoted price should be specifically stated in offers along with CST & TIN No / Tariff No. etc., failing which the purchaser will not be liable for payment of such Taxes and Duties. Our TIN No. 33243560005, TNGST No. 3560005, CST. No. 239383 Dt. 11-06-1991 & BHEL ECC No. AAACB4146PXM012, Service Tax Reg No (STC)- AAACB4146PST006. Assessment circle Tiruverambur.</p> <p>Cenvat credit & VAT credit (for Indian Bidders only): If any Excise Duty is payable, the chapter head / sub-head reference and the rate of the duty should be quoted. If the tenderer is availing CENVAT credit for his input materials, the effect of proforma credit should be passed on to the purchaser</p> <p>Income Tax applicable Any service charges payable towards supervision of E&C, training, performance prove-out etc., will be released after deduction of Income Tax as per Indian Income Tax Act / as per the Govt. of India rules and TDS certificate will be issued by BHEL for such deductions. Applicable service tax on E&C charges will be payable extra. The liability of depositing the same to the Govt. will be of the supplier</p>

No row shall be left blank. Please indicate NA, in case the item is “not applicable”		Vendor's confirmation
	Validity: Validity of the offer should be 120 days from the date of tender opening.	
4.	<p>Release of Purchase Order:</p> <ul style="list-style-type: none"> ➤ Order shall be placed on single vendor on cumulative L1 basis. ➤ This tender is composite in nature and cannot be split-up to more than one vendor. Hence the entire work will be awarded to only lowest bidder of the tender. Work cannot be split-up and given to MSE vendor if they are L2 or above ranking in the tender. 	
5.	<p>Payment terms for Supply Portion</p> <p>100% Payment after receipt and acceptance of material against submission of 10%PBG for order value.</p> <p style="color: red;">Any deviation in the above payment term will attract loading as mentioned below. “Base rate of SBI (as applicable on the date of bid opening. Techno-commercial bid opening in case of two part bids) + 6% shall be considered for loading for the period of relaxation sought by bidders.</p>	
6.	<p>Performance Bank Guarantee (PBG): The Bidder, in the event of an order, should furnish a Bank Guarantee from an Indian Bank approved by BHEL, at no extra cost in a format prescribed by BHEL, along with the order, for an amount equivalent to 10% (Ten percent) of the value of the contract. The PBG shall be valid for a period of 18 months from the date of dispatch or 12 months from the date of receipt / acceptance / commissioning of the equipment at BHEL, Tiruchi whichever is more, with a claim period of two months.</p> <p>The Performance Bank Guarantee shall be obtained from any one of the following banks which is a member bank in our consortium of banks.</p> <p>LIST OF CONSORTIUM BANKS 1.DEUTSCHE BANK 2.HDFC BANK 3.ANZ GRINDLAYS BANK 4.CITI BANK 5.STANDARD CHARTERED BANK 6.BANK OF AMERICA 7.ABN AMRO BANK 8.IDBI LTD 9.ICICI BANK LTD 10.THE HONGKONG AND SHANGHAI BANKING .CORPORATION LTD.</p> <p>LIST OF NATIONALISED BANKS 1.ALLAHABAD BANK 2.ANDHRA BANK 3.BANK OF INDIA 4.BANK OF BARODA 5.BANK OF MAHARASTRA 6.BHARATH OVERSEAS BANK 7.CANARA BANK 8.CENTRAL BANK OF INDIA 9.CORPORATION BANK 10.DENA BANK 11.INDIAN BANK 12.INDIAN OVERSEAS BANK 13.OREINTAL BANK OF COMMERCE 14.PUNJAB NATIONAL BANK 15.PUNJAB & SIND BANK 16.STATE BANK OF INDIA 17.STATE BANK OF TRAVANCORE 18.STATE BANK OF MYSORE 19.STATE BANK OF BIKANER & JAIPUR 20.STATE BANK OF HYDERABAD 21.STATE BANK OF PATIALA 22.STATE BANK OF MAHARASTRA 23.STATE BANK OF SOURASTRA(SBI-13.09.08) 24.SYNDICATE BANK 25.UCO BANK 26.UNION BANK OF INDIA 27.UNITED BANK OF INDIA 28.VIJAYA BANK</p> <p><u>If PBG is issued by a Foreign counter part of the BHEL consortium Indian Bank, in case of claim against the PBG . it will be lodged in any one of the Indian counters of the Foreign Bank which issued the PBG.</u></p>	
7.	<p>Liquidated damages (LD):</p> <p>The delivery of the goods specified in the purchase order should be made within the time prescribed. LD for delay in ‘Supply’ and/or ‘I&C’ will be applicable to the delays attributed to vendor. LD will be considered separately for ‘Delivery’ and ‘I &C’. Where the seller supplies or dispatches the goods, beyond the delivery period Liquidated damages shall be applicable 0.5% of the total order value per week or part thereof subject to a maximum of 10% of the total order value.</p> <p>The rate of LD for delayed E&C shall be @ 0.5% per week of delay of total PO value (Supply + I &C) in I &C subject to a maximum of 10% of total PO value (Supply + I&C).</p> <p>For staggered delivery schedule, LD shall be 0.5% of the undelivered portion per week of the delay or part thereof subject to a maximum of 10% of the total order value.</p> <p>Any deviation from the above LD clause, loading will be applied to the extent to which it is not agreed by the bidder (at offered value).</p>	
8.	<p>Risk Purchase:</p> <p>Alternatively the purchaser at his option will be entitled to terminate the contract and to purchase elsewhere at the risk and cost of the seller either the whole of the goods or any part which the supplier has failed to deliver or dispatch within the time stipulated as aforesaid or if the same were not available from the best and the nearest available substitute. The supplier shall be liable for any loss which the Purchaser may sustain by reason of such risk purchases.</p>	
9.	<p>Delivery terms and evaluation process:</p> <p>Indian Bidders should submit their offer on FOR BHEL, Tiruchy basis. Packing & Forwarding and Freight & Insurance charges from works to BHEL, Tiruchy to be indicated separately if extra from basic rate. Applicable % of ED & Sales Tax , Commissioning Charges should be clearly indicated.</p> <p style="background-color: yellow;">Evaluation of offers shall be on the basis of delivered cost (Net cash outflow to BHEL)</p>	
10.	<p>Guarantee:</p> <p>Vendors shall provide a guarantee for a period of 12 months from the date of commissioning of the equipment or 18 months from date of supply, whichever is earlier. The date of B/L or AWB shall be taken as the date of supply. Also, a PBG has to be given which shall cover the guarantee period (with additional 2 months as claim period).</p> <p>Normally No deviation permitted and the deviated offers are liable for rejection.</p>	

11.	<p>Short shipment / Warranty replacement: In case of any short shipment in the main equipment / spares, Customs Duty levied on such supplies, shall be borne by the supplier. Any warranty replacement during the warrantee period shall be on FOR, BHEL, Tiruchirappalli, basis.</p>	
12.	<p>Inspection & Testing: All goods shall be subject to inspection by BHEL or its authorized representatives at supplier's works or at BHEL stores or at any other place in India indicated by BHEL as the case may be. The supplier will not charge for the facilities provided for inspection of goods. In case of machine tools, the machine would be inspected and proved at supplier's works prior to dispatch however, final inspection and acceptance of the machine will be carried after installation of the machine at BHEL, Tiruchirappalli.</p>	
13.	<p>Test certificates / Operating and Maintenance manuals: The Bidders shall clearly mention in their offer, that Test Certificates and Operating Maintenance Manuals, etc., as called for in the Technical Specification, in the required number of copies will be provided at no extra cost.</p>	
14.	<p>Payment through Bank is not preferred. In case of Payment through Bank is opted by Supplier, BHEL prefers documents submission through bank with copy of LR and door delivery of Goods to Site/Stores with Consignee copy attached. In this case Loading will be 3% on the offered value. Offers of indigenous Suppliers with payment terms as LC/Advance Payment are liable for rejection.</p>	
15.	<p>BHEL will consider the ranking after the loading is applied as referred above wherever deviations are observed.</p>	
16.	<p>Reverse Auction (RA): BHEL reserves the right to conduct on-line internet Reverse Auction ie. ONLINE BIDDING (THROUGH A SERVICE PROVIDER) for finalizing the Tender. This decision will be communicated to the technically qualified vendors after technical evaluation. Details / General terms / guidelines for conduct of RA are shown below Vendors are requested to confirm their acceptance for BHEL proceeding with RA route for finalization of the enquiry.</p> <ol style="list-style-type: none"> 1. For the proposed reverse auction, technically and commercially acceptable bidders only shall be eligible to participate. 2. BHEL will engage the services of a service provider who will provide all necessary training and assistance before commencement of on line bidding on internet. 3. BHEL will inform the vendor in writing in case of reverse auction, the details of Service Provider to enable them to contact & get trained. 4. Business rules like event date, time, start price, bid decrement, extensions etc. also will be communicated through service provider for compliance. 5. Vendors have to fax the Compliance form in the prescribed format (provided by Service provider) before start of Reverse auction. Without this, the vendor will not be eligible to participate in the event. 6. BHEL will provide the calculation sheet (e.g., EXCEL sheet) which will help to arrive at "Total Cost to BHEL" like Packing & forwarding charges, Taxes and Duties, Freight charges, Insurance, Service Tax for Services and loading factors (for non-compliance to BHEL standard Commercial terms & conditions) for each of the vendor to enable them to fill-in the price and keep it ready for keying in during the Auction 7. Reverse auction will be conducted on scheduled date & time. 8. At the end of Reverse Auction event, the lowest bidder value will be known on the network. 9. The lowest bidder has to Fax/e-mail the duly signed Filled-in prescribed format as provided on case-to-case basis to BHEL through Service provider within 24 hours of Auction without fail. 10. Any variation between the on-line bid value and the signed document will be considered as sabotaging the tender process and will invite disqualification of vendor to conduct business with BHEL as per prevailing procedure. 11. In case BHEL decides not to go for Reverse Auction procedure for this tender enquiry, the Price Bids and price impacts, if any, already submitted and available with BHEL shall be opened as per BHEL's standard practice. 12. BHEL reserves the right to negotiate if need be, with the "L1" vendor of the Reverse Auction 13. <u>BHEL reserves the right not to consider offers from vendors not complying with the RA process for finalization of the enquiry.</u> 14. If the Bidder or any of his representatives are found to be involved in Price manipulation/ cartel formation of any kind, directly or indirectly by communicating with other bidders, action as per extant BHEL guidelines, shall be initiated by BHEL and the results of the RA scrapped/ aborted. <p>In case BHEL decides to go for reverse auction, the H1 bidder(s) (whose quote is highest in online sealed bid) may not be allowed to participate in further RA process.</p>	
17.	<p><u>Special Provisions for Micro and Small Enterprises (MSE)</u></p> <p>MSE suppliers can avail the intended benefits only if they submit along with offer, attested copies of either EM II (Entrepreneur Memorandum Part II) certificate having deemed validity (five years from the date of issue of acknowledgement in EM II) or valid NSIC certificate or EM II certificate along with attested copy of a CA certificate (Format enclosed as per Annexure - III) applicable for the relevant financial year (latest audited), certifying quantum of investment in plant and machinery within the permissible limit as per the act for relevant status (Micro or small) where the deemed validity of EM II is over. Date to be reckoned for determining the deemed validity will be the last date of technical bid submission. Offer/s received without these documents will lead to consideration of their offer at par with other bidders and MSE status of such suppliers shall be shifted to Non MSE supplier.</p>	

18.	<ul style="list-style-type: none"> ➤ Point to point confirmation for the Technical Specification enclosed to be provided. If there are any deviations, the same should be clearly specified. Offers received without confirmation to our specifications will be liable for rejection. If needed additional sheets shall be used. ➤ Equipment offered shall be "New". Re-built / Re-conditioned / Used equipment's will not be accepted. Incomplete offers will not be considered for further processing Fixed price: ➤ BHEL reserves its right to reject a tender due to unsatisfactory past performance in the execution of a contract at any of BHEL projects / units. ➤ BHEL shall be at liberty to reject or accept any tender, part or in full, at their own discretion and any such action is not liable for any question or claim against BHEL. ➤ The vendor shall provide necessary drawings, Test Certificates and Operating Maintenance Manuals etc., as called for in the Technical Specification, in the required number of copies at no extra cost ➤ The Supplier shall arrange for securely protecting and packing the stores to avoid loss or damages during transit. 	
19.	Company Details & Contact	
	Full Address of the company for future correspondence. (Copy of address proof & PAN card shall be attached along with Part-I)	
	Company Email ID:	Phone No.:
	Fax No	PAN No
	CST /TIN No	Service Tax No.
	Name of the contact person:	Mobile No.:
	e-mail ID	
20.	TO BE CONFIRMED BY VENDOR	
	Country of origin:	
	Station of dispatch/Port of Shipment	
	Delivery Terms (For destination or Ex-works)	
21.	Packing & Forwarding Charges, if any (in % or Lumpsum) ie. extra from basic rate	
	% of Excise Duty with cess	
	% of TAX (CST/VAT) (TNGST with FORM-17 or CST with C-FORM)	
	Freight & Transit Insurance charges (if any, in Lumpsum (or) percentage) from Dispatching station to BHEL Tiruchirappalli, (Note:If the delivery terms is Ex Works the materials has to be sent through BHEL approved carrier only, in this case the Freight & Insurance will be borne by BHEL)	
22.	Delivery from the date of Letter of Intent / Purchase Order. (This should be inclusive of Order acceptance, drawing approval and time period required for dispatch (B/L or AWB date) etc.,	
23.	Weight & Cubage of package: Approximate Net weight of the total consignment: Approximate Gross weight of the total consignment: Approximate volume of the total consignment:	
For any queries / clarifications the bidders may contact us through our FAX NO. +91 431 2520719 or through e-mail <pgavictor@bheltry.co.in>		

NOTE

- a) Your specific acceptance to our Payment terms, LD, Risk Purchase Clause & Submission of PBG for 10% of the order value are essential for consideration of your offer. Otherwise your offer is liable for rejection.
- b) **No row shall be left blank. Please indicate NA, in case the item is "not applicable"**

Declaration:-

I/We have gone through and understood the 'General guidelines & instructions to bidders for submitting offer' enclosed as a part of the Tender and confirm that our offer has been made in line with the same.

Name:

Signature with date:

(AFFIX OFFICIAL SEAL HERE)

Designation:

(PLEASE AFFIX YOUR SIGNATURE WITH SEAL ON EACH PAGE)

MODEL PRICE BID FORMAT FOR INDIAN BIDDERS

Enquiry No. & Date:

Bidder's Offer No. & Date:

Sl No	Description of item	Unit (No)	QTY	Rate /Qty in Rs. (excluding of all taxes)	VAT/CST in % (TNGST with FORM-17 or CST with C-FORM)	ED in %	Total Value in Rs. (inclusive of all taxes)
10							
20							
30							
40							
50							
60							
70							
80							
	Packing & Forwarding charges (if any) in percentage (or) Lumpsum						
	FOR Dispatching station value in Rs.						
	Percentage of Freight & transit insurance charges, if any (Lumpsum or %) Freight & Insurance charges from Dispatching station to BHEL, Tiruchirappalli (Note:If the delivery terms is Ex Works the materials has to be sent through BHEL approved carrier only, in this case the freight & Insurane will be borne by BHEL)						
	Approximate Net weight of the total consignment						
	Approximate Gross weight of the total consignment						
	Approximate Dimensions of the Consignment						

Signature & Seal of Vendor

The price bid should be submitted only as per the above format. No row shall be left blank. Please indicate NA, in case the item is "not applicable"

Certificate by Chartered Accountant on letter head

This is to Certify that M/S
(hereinafter referred to as 'company') having its registered office at
..... is registered under MSMED Act 2006, (Entrepreneur
Memorandum No (Part-II) dtd:.....,
Category: (Micro/Small)). (Copy enclosed).

Further verified from the Books of Accounts that the investment of the company as on
date..... as per MSMED Act 2006 is as follows:

1. **For Manufacturing Enterprises:** Investment in plant and machinery (i.e. original cost excluding land and building and the items specified by the Ministry of Small Scale Industries vide its notification No.S.O.1722(E) dated October 5, 2006 :
Rs.....Lacs
2. **For Service Enterprises:** Investment in equipment (original cost excluding land and building and furniture, fittings and other items not directly related to the service rendered or as may be notified under the MSMED Act, 2006:
Rs.....Lacs

The above investment of Rs.....Lacs is within permissible limit of
Rs.....Lacs forMicro / Small (~~Strike off which is not applicable~~)
Category under MSMED Act 2006.

Date:

(Signature)

Name -

Membership number -

Seal of Chartered Accountant