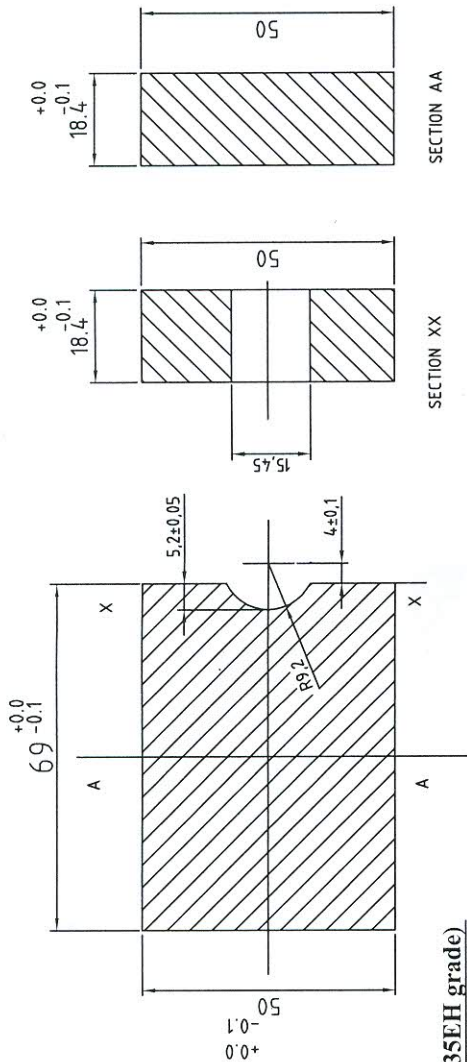


FIRST ANGLE PROJECTION

(ALL DIMENSIONS ARE IN mm)

DRG NO.

NdFeB Magnet



Technical details for NdFeB Magnets (N35EH grade)

1. Br = 11.6 to 12.0 kG.
2. Hc = 10.8 to 11.6 kOe.
3. Hci = 24.8 to 27 kOe.
4. BHmax = 33-35 MGOe (N35 EH grade).
5. Nickel Coating to be provided, to prevent corrosion of magnet.
6. Temperature grade = 200°C.
7. Magnetization/orientation along 18.4 mm thick direction.
8. Temperature coefficient of Br = -0.11 to -0.12 % / deg C.
9. 196 Magnets are to be supplied in magnetized condition and four Magnets to be supplied in un magnetized condition. (Total quantity 200 no.s)
10. Supplier should enclose magnet technical specifications along with quotation.
11. Original Test certificate from the manufacturer showing magnet specifications and grade is to be furnished at the time of supply.
12. Warranty certificate for one year should be provided by the supplier.
13. All corners are to be rounded off.

BHARAT HEAVY ELECTRICALS LTD.

THE INFORMATION ON THIS DOCUMENT IS THE PROPERTY OF BHARAT HEAVY ELECTRICALS LTD. IT MUST NOT BE USED DIRECTLY OR INDIRECTLY IN ANY WAY DETRIMENTAL TO THE INTEREST OF THE COMPANY.

COMP. FILE NAME

REF.DRG.NO.

INVENTORY NO.

TYPE OF PRODUCT OR NAME OF CUSTOMER/PROJECT
PMG-65



BHARAT HEAVY ELECTRICALS LIMITED
 Corp. R&D Division, Vikasnagar
 HYDERABAD - 500 093

DRN.	NAME	SIGN.	DATE	NO. OF VAR.
CHD.	GVN	<i>[Signature]</i>		
APPD.	GVN	<i>[Signature]</i>		
	Dr.U.K.C	<i>[Signature]</i>		

DEPT.	SCALE	WEIGHT (KG)	REF. TO ASSY DRG.	ITEM NO.	NO. OF ITEMS
CODE					

TITLE
NdFeB MAGNET

DRAWING NO.
3Y1100140001

SHEET NO. NO OF SHEETS
 REV. 01