

DETAIL	INFORMATION
Contact Person and Address	M.NALLATHAMBI SENIOR MANAGER / CCDP PURCHASE DEPARTMENT/R&D and CR UNIT – HPBP BHEL, TIRUCHY, INDIA PIN : 620 014
Email	mnthambi@bheltry.co.in
Telephone	0091-431-257 7558, 257 7152
Fax	0091-431-2520696, 2520193
Notification (Reference) No.	2801500007 – CCDP Dt. 02/06/2015
Tender Title	SUPPLY OF IJG GASKET
Tender Type	BUY – Two Part
Brief Description	IJG Gasket as per the drawing, commercial terms & conditions enclosed
Published in Newspaper	NO
Published On	--
Tender Value in Rs	--
EMD Value - Rs	NIL
Document Cost- Rs	NIL
Date of Issue of Notification -DD/MM/YY	
Date for Closure of Sale of Forms - DD/MM/YY	Not Applicable
Completed Forms to be submitted by - DD/MM/YY	04/07/2015 : 14.00 Hrs IST
Date of Opening for Technical Bids - DD/MM/YY	04/07/2015 : 14.30 Hrs IST

Note:

If the due date of tender opening happens to be a holiday, the tenders will be opened on the next working day.

All clarification may be sought at least seven days prior to tender due date from the undersigned with due written request.

Corrigendum if any, with respect to this tender will be hosted only in the website <http://www.bhel.com> (or) <http://tenders.gov.in>. You are requested to visit the website regularly for updates.

The offer should reach this office on or before the due date & we are not responsible for any postal delay. Late tender will not be considered.



429-002/A

BHARAT HEAVY ELECTRICALS LIMITED

(A Government of India Undertaking)
HIGH PRESSURE BOILER PLANT
PURCHASE DEPARTMENT - FOSSIL BOILERS
THIRUCHIRAPALLI - 620014
TAMILNADU (INDIA)

PHONE :2577152
GRAMS : BHARATELEC
FAX NO: 2520193
E-mail: ssraj@bheltry.co.in
Web:

Page
1/1

Enquiry No	Enquiry Date	Due Date for Quotation
2801500007 - CCDP	02.06.2015	04.07.2015
Please quote Enquiry No, Date and due date in all correspondences. This is only a request for quotation and not an order. <i>Bid should be submitted in two parts. 1.Techno-commercial bid (Part-I) and 2.Price bid(Part-II) in a separate sealed cover and both covers must be placed in a third cover and sealed. Our Enquiry No., Enq. date & Enq. Due date must be written on all three covers.</i>		

Item	Description	Unit	Quantity	Delivery Quantity	Schedule Date
10	IJG Gasket as per the attached Drawing No:4-FG-540-08015 IJG Gasket	NO	2.000	2.00	31.07.15

General Note:**NOTE :**

- 1) Offer will be invited in TWO PART BID only
(Technical bid and Price bid - Two separate covers- "TECHNICAL BID" Cover and "PRICE BID" Cover).
- 2) If regretted make mention on the top of the reply cover as "REGRETTED".
- 3) LD Clause for delivery has to be confirmed without fail. Otherwise we would assume that you have accepted our LD Clause.
- 4) BHEL preferred payment term is "100% direct Payment after 45 days from the date of receipt and acceptance of the material".This payment term acceptance is essential for consideration of your offer. Offer with advance payment or proforma invoice will not be considered.
- 5) Transport and Delivery at BHEL - shall be Vendor's scope.
- 6) Tender details are also hosted in BHEL Web : www.bhel.com.
- 7) No Revision of prices will be entertained after the tenders are opened.
- 8) Offer validity should be minimum 60 days from the date of opening, otherwise we are not in a position to consider your offer.
- 9) Kindly submit point wise compliance to our Terms & Condition. Otherwise it will presumed that you are accepting BHEL's terms and conditions.
- 10) Test certificate & guarantee certificate are required.

OFFER IS TO BE SENT TO THE FOLLOWING ADDRESS

**AGM / CCDP & MM
Purchase / R&D and CR
CCDP, BHEL
TIRUCHIRAPALLI - 620 014
TAMIL NADU, INDIA**


Enclosures:

"LD clause has to be confirmed without fail."

The offers should reach us 30 minutes before the time of opening of tenders. The offers will be opened at 14.30 hrs on the due date of tender in the presence of tenderers who have submitted their offer and who may like to be present for the tender opening. Late and delayed offers are liable to be rejected.

Yours faithfully,
For **BHARAT HEAVY ELECTRICALS LIMITED**

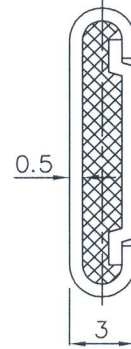
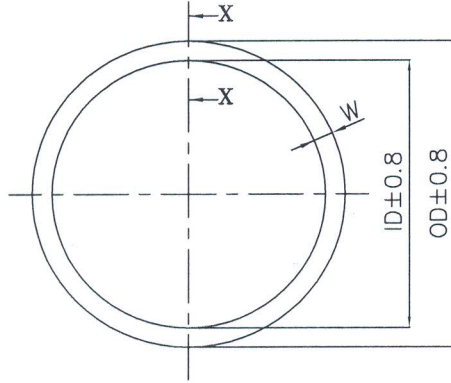
S. SUBBURAJ
Manager
Purchase / R&D and CR
Bharat Heavy Electricals Limited
Tiruchirappalli - 620 014


MANAGER / PURCHASE
(FOSSIL BOILERS)
Yours faithfully,

THE INFMN ON THIS DOCUMENT IS THE PROPERTY OF BHEL.
 IT MUST NOT BE USED DIRECTLY OR INDIRECTLY
 IN ANY WAY DETRIMENTAL TO THE INTEREST OF BHEL
 CAUTION:

REV	DATE	ALTERED :
01		CHD & APPD :

FOR TOLERANCES OF UNTOLERANCED DIMENSIONS DURING MANUFACTURE REFER PLANT STD. NO TP 023 0299



SECTION-XX
TYPICAL SECTION OF METAL
JACKETED GRAFOIL FILLED GASKET

NOTES:

01. MATERIAL : STAINLESS STEEL
02. HARDNESS : 160 BHN (MAXIMUM)
03. FILLER MATERIAL : GRAFOIL
04. GASKET SHALL BE MADE IN ONE CONTINUOUS PIECE ALL AROUND AND THEREFORE MUST BE CUT FROM ONE SHEET.
05. GASKET SESTING STRESS 'y' AND GASKET FACTOR 'm' VALUES SHOULD BE AS PER ASME SEC VIII DIV.1
06. DRG. NO. & MATL. CODE SHALL BE PANITED USING REMOVABLE PAINT FOR IDENTIFICATION & REFERENCE.

01	IJG GASKET-GAS INLET OD1300 X ID1150 X 3T; W=70				3.000
					2
VARIANT NUMBER	DESCRIPTION	STD	MATERIAL CODE	A/C/P	UNIT WEIGHT
			MATERIAL SPECN	UNIT	QUANTITY



Bharat Heavy Electricals Ltd
 UNIT: HIGH PRESSURE BOILER PLANT
 TIRUCHIRAPALLI - 620014

DRN	NAME Siva Balan	SIGNATURE	DATE 26.05.2015
CHD	K.Manikanta		27.05.2015
APPD	V.Periyakaruppan		27.05.2015

DEPT CCDP	ALL DIMENSIONS ARE IN MM	PROJECTION 	SCALE NTS	WEIGHT (Kg) -	REF TO ASSY / OLD DWG
CODE 3890					
TITLE IJG GASKET (PFBG-HRB: GAS INLET)				DRAWING NO : 4-FG-540-08015	
				REV 00	



An ISO 9001 Company

Bharat Heavy Electricals Limited
Purchase Dept / R&D and CR
Tiruchirappalli-620014, Tamil Nadu, India

COMMERCIAL TERMS AND CONDITIONS FOR SUBMISSION OF OFFER

1.0 QUOTATIONS

Bidders shall submit the offer in **TWO INNER ENVELOPES** as indicated below which shall be sealed in one outer envelope.

Envelope I This sealed envelope should contain all the copies of technical bid together with un-priced commercial bid. This envelope should be clearly marked "**Part I - Technical and commercial bid**", indicating Enquiry No., Due Date and Address & Reference of the Bidder.

Envelope II This sealed envelope should contain **price details**. This envelope should be clearly marked "**Part II - Price bid**", indicating Enquiry No., Due Date and Address & Reference of the Bidder.

Both the envelopes (Part I & II) shall be put in one cover, duly sealed, superscribing as Part I and Part II of Enquiry No., due date of opening and the address and reference of the Bidder.

The above offer should reach this office on or before the due date by 14.00 Hrs (IST). Late offers will not be considered. We suggest you to send the offer by SPEED POST.

Tender should not be addressed to any Individual's name but only by designation to:

AGM / CCDP & MM
Purchase Department / R&D and CR
BHARAT HEAVY ELECTRICALS LIMITED
TIRUCHIRAPALLI - 620 014
TAMIL NADU, INDIA

Tenders should be free from **CORRECTION AND ERASURES**, Corrections if any, must be attested. All amounts shall be indicated both in words as well as in figures. Where there is difference between amount quoted in words and figures, amount quoted in words shall prevail.

Offers should be in **ENGLISH** and accompanied by detailed technical literature, catalogue and details of process facility in **ENGLISH**.

2.0 PART I (TECHNICAL & UNPRICED COMMERCIAL BID)

2.1 Technical

This part shall include / indicate the following:

Offer should contain complete scope of supply with all technical details, specifications, delivery and other commercial terms and conditions.

2.2 Commercial

This part shall include / indicate the following:

- 2.2.1. Port of shipment / Station of despatch
- 2.2.2. Terms of payment
- 2.2.3. Taxes & duties applicable.
- 2.2.4. Delivery Schedule
- 2.2.5. Offer validity
- 2.2.6. Country of origin
- 2.2.7. A copy of "Un-Priced Part II" i.e., a copy of the Price Bid **without the price details** to be enclosed.
(Incomplete offers shall be liable for rejection).

3.0 PART II (PRICE- BID)

This part should contain the schedule of price particulars and to be co-related to the technical details provided in Part I. Wherever required / possible break up price details are to be furnished. (Bidders shall quote only fixed rate / price only and not subject to any escalation whatsoever during the period of bid validity and execution of purchase order. Any bid with adjustable or price variation clause shall be treated as "non responsive" and liable for rejection).

4.0 OPENING OF TENDERS

The Part I - Technical & commercial bid alone would be opened on the Tender opening date at the pre-fixed time. In presence of responded tenderers / authorised representative, who may like to be present for tender opening.

The Part II - Price bid of Technically suitable Bidders alone would be opened. The Technically suitable Bidders would be informed about the tender opening date. Clarifications if any required by BHEL for Technical evaluation would be sought from Bidders before opening of Part II - price bid.

5.0 GENERAL

5.1. Incomplete offers will not be considered.

5.2. **Terms of Delivery:** Bidders are required to quote their best delivery period. Delivery shall be counted from the date of Letter of Intent.

Bharat Heavy Electricals Limited TIRUCHIRAPPALLI

5.3. Taxes and Duties : All Taxes and Duties if any payable extra over and above the quoted price should be specifically indicated in the un-priced bid along with CST & TIN No etc., failing which the purchaser will not be liable for payment of such Taxes and Duties (the quoted rates shall be considered as "all inclusive").

Note : *We are eligible to issue C Form.*

5.4. Validity of Offer : Offer shall be kept valid for acceptance for a period of 60 days (sixty days) from the date of opening of the price bid.

5.5. Payment terms : Payment term is 100% direct payment after 45 days from the date of receipt and acceptance of materials. (Any deviation in the above payment term will attract loading as mentioned below.

"Base rate of SBI (as applicable on the date of Techno-commercial bid opening) + 6% will be loaded for the period of relaxation sought by bidders.

Payment through Bank is not preferred. In case of Payment through Bank is opted by Supplier, BHEL prefers documents submission through bank with copy of LR and door delivery of Goods to Stores with Consignee copy attached. In this case Loading will be 3% on the offered value.

5.6. Liquidated damages : It is clearly understood among the parties to the contract the "**Time is the essence of the contract**". Therefore, the delivery of the goods specified in the purchase order should be made within the time prescribed. Failure to dispatch the materials in the time as per the delivery quoted in our Purchase Order would make the supplier liable to an un-conditional penalty as below

a. Liquidated damages shall be 0.5% of the total order value per week or part there of subject to a maximum of 10% of the total order value.

b. For staggered delivery schedule, LD shall be 0.5% of the undelivered portion per week of the delay or part there of subject to a maximum of 10% of the total order value.

c. Any deviation from the above LD clause, loading will be applied to the extent to which it is not agreed by the bidder (at offered value).

5.7. Risk purchase : Alternatively the purchaser at his option will be entitled to terminate the contract and to purchase elsewhere at the risk and cost of the seller either the whole of the goods or any part which the supplier has failed to deliver or despatch within the time stipulated as aforesaid or if the same were not available, the best and the nearest available substitute therefor. The supplier shall be liable for any loss, which the Purchaser may sustain by reason of such risk purchases.

5.8. Test certificates: The Bidders shall clearly mention in their offer that Test Certificates as called for in the Technical Specification, in the required number of copies will be provided at no extra cost.

5.9. Evaluation of the offers shall be on the basis of "To-Door Cost at BHEL, Trichy (Net Cash outflow to BHEL). BHEL will consider the ranking after the loading is applied as referred above wherever deviations are observed.



BHARAT HEAVY ELECTRICALS LIMITED
TIRUCHIRAPALLI – 620014

PURCHASE / R&D and CR

ANNEXURE TO PURCHASE ENQUIRY

1. PRICE : Ex-Works / Ex-Godown (or) F.O.R- DESTINATION
2. DISCOUNT : % (or) Lumpsum amount Rs
3. PACKING & FORWARDING : % (or) Lumpsum amount Rs
4. TAX : VAT.....% / CST %
(CST With C FORM)
5. SURCHARE :%
6. DUTIES :%
7. FREIGHT & INSURANCE :
8. DELIVERY PLACE :
9. DELIVERY PERIOD :
10. LD / PENALTY FOR DELAY IN DELIVERY : @ 0.5% PER WEEK SUBJECT TO A MAXIMUM OF 10% IS APPLICABLE. ACCEPTED
11. OFFER VALIDTY :
12. PAYMENT TERM : 100% direct Payment after 45 Days from the date of Receipt and Acceptance of the Material.
13. GUARANTEE / TEST CERTIFICATE :

SIGNATURE OF SUPPLIER WITH SEAL

NOTE : Please do not Quote as EXTRA. Quote the rate in % or the amount as lumpsum. (Rates of applicable Taxes & Duties, whether inclusive or exclusive should also be mentioned).