

DETAIL	INFORMATION
Contact Person and Address	M.NALLATHAMBI SENIOR MANAGER / CCDP PURCHASE DEPARTMENT/R&D and CR UNIT – HPBP BHEL, TIRUCHY, INDIA PIN : 620 014
Email	mnthambi@bheltry.co.in
Telephone	0091-431-257 7558, 257 7152
Fax	0091-431-2520696, 2520193
Notification (Reference) No.	2811400018 – R&D Dt. 11/09/2014
Tender Title	JOINTLESS MACHINED COPPER RING WITH SQUARE SECTION
Tender Type	BUY – Two Part
Brief Description	Supply of jointless machined copper ring with square section as per the specification, commercial terms & conditions enclosed
Published in Newspaper	NO
Published On	--
Tender Value in Rs	--
EMD Value - Rs	NIL
Document Cost- Rs	NIL
Date of Issue of Notification -DD/MM/YY	
Date for Closure of Sale of Forms - DD/MM/YY	Not Applicable
<b>Completed Forms to be submitted by - DD/MM/YY</b>	<b>01/10/2014 : 14.00 Hrs IST</b>
<b>Date of Opening for Technical Bids - DD/MM/YY</b>	<b>01/10/2014 : 14.30 Hrs IST</b>

**Note:**

*If the due date of tender opening happens to be a holiday, the tenders will be opened on the next working day.*

*All clarification may be sought at least seven days prior to tender due date from the undersigned with due written request.*

*Corrigendum if any, with respect to this tender will be hosted only in the website <http://www.bhel.com> (or) <http://tenders.gov.in>. You are requested to visit the website regularly for updates.*

*The offer should reach this office on or before the due date & we are not responsible for any postal delay. Late tender will not be considered.*



429-002/A

**BHARAT HEAVY ELECTRICALS LIMITED**

( A Government of India Undertaking )  
 HIGH PRESSURE BOILER PLANT  
 PURCHASE DEPARTMENT - FOSSIL BOILERS  
 THIRUCHIRAPALLI - 620014  
 TAMILNADU (INDIA)

PHONE :2577152  
 GRAMS : BHARATELEC  
 FAX NO: 2520193  
 E-mail: ssraj@bheltry.co.in  
 Web:

	<b>Enquiry No</b>	<b>Enquiry Date</b>	<b>Due Date for Quotation</b>
	2811400018 - R&D	11.09.2014	01.10.2014
Please quote Enquiry No, Date and due date in all correspondences. This is only a request for quotation and not an order			

Item	Description	Unit	Quantity	Delivery Quantity	Schedule Date
10	JOINTLESS MACHINED COPPER RING WITH SQUARE CROSS SECTION AS PER THE SPECIFICATION ENCLOSED JOINTLESS MACHINED COPPER RING WITH	NO	100.000	100.00	04.12.14

**General Note:****NOTE :**

- Offer will be invited in TWO PART BID only (Technical bid and Price bid - Two separate covers- "TECHNICAL BID" Cover and "PRICE BID" Cover);
- If regretted make mention on the top of the reply cover as "REGRETTED";
- LD Clause for delivery has to be confirmed without fail. Otherwise we would assume that you have accepted our LD Clause;
- Material test certificate is to be submitted;
- BHEL preferred payment term is "100% direct Payment after 45 days from the date of receipt and acceptance of the material". This payment term acceptance is essential for consideration of your offer. Offer with advance payment or proforma invoice will not be considered;
- Transport and Delivery at BHEL - shall be Vendor's scope;
- Tender details also hosted in BHEL Web : www.bhel.com.
- No Revision of prices will be entertained after the Price bid opening;
- Offer validity should be minimum 60 days from the date of opening, otherwise we are not in a position to consider your offer;
- Kindly submit point wise compliance to our Terms & Condition. Otherwise it will presumed that you are accepting BHEL's terms and conditions.

**OFFER IS TO BE SENT TO THE FOLLOWING ADDRESS**

**AGM / CCDP & MM  
 Purchase Department  
 CCDP, BHEL  
 TIRUCHIRAPALLI - 620 014  
 TAMIL NADU, INDIA**

**Enclosures:**

The offers should reach us 30 minutes before the time of opening of tenders. The offers will be opened at 14.30 hrs on the due date of tender in the presence of tenderers who have submitted their offer and who may like to be present for the tender opening. Late and delayed offers are liable to be rejected.

**S. SUBBURAJ**  
 Manager  
 Purchase / R&D and CR  
 Bharat Heavy Electricals Limited  
 Tiruchirappalli - 620 014

Yours faithfully,  
 For BHARAT HEAVY ELECTRICALS LIMITED

MANAGER / PURCHASE  
 (FOSSIL BOILERS)  
 Yours faithfully,



# BHARAT HEAVY ELECTRICALS LIMITED

( A Government of India Undertaking )  
HIGH PRESSURE BOILER PLANT  
PURCHASE DEPARTMENT - FOSSIL BOILERS  
THIRUCHIRAPALLI - 620014  
TAMILNADU (INDIA)

PHONE :2577152  
GRAMS : BHARATELEC  
FAX NO: 2520193  
E-mail: ssraj@bheltry.co.in  
Web:

Page  
2/2


2811400018 / 11.09.2014

"LD clause has to be confirmed without fail."

The offers should reach us 30 minutes before the time of opening of tenders.  
The offers will be opened at 14.30 hrs on the due date of tender in the presence of tenderers who have submitted their offer and who may like to be present for the tender opening. Late and delayed offers are liable to be rejected.

Yours faithfully,  
For BHARAT HEAVY ELECTRICALS LIMITED

**S. SUBBURAJ**  
Manager  
Purchase / R&D and CR  
Bharat Heavy Electricals Limited  
Tiruchirappalli - 620 014

  
MANAGER / PURCHASE  
(FOSSIL BOILERS)  
Yours faithfully,

**BHARAT HEAVY ELECTRICALS LIMITED**  
**TIRUCHIRAPPALLI – 620 014**

**RESEARCH AND DEVELOPMENT**

R&D: ScTF: CW: 01

PAGE 01 OF 02

**Specification for Joint less Machined Copper washer**

Rev No.	Date	Description	Prepared	Reviewed	Approved
00	05.09.2014	Specification			
			Balwant Kumar	Dibya Jyoti Deka	R Dhanuskodi

**BHARAT HEAVY ELECTRICALS LIMITED**  
**TIRUCHIRAPPALLI – 620 014**

R&D: ScTF: CW:01

PAGE 02 OF 02

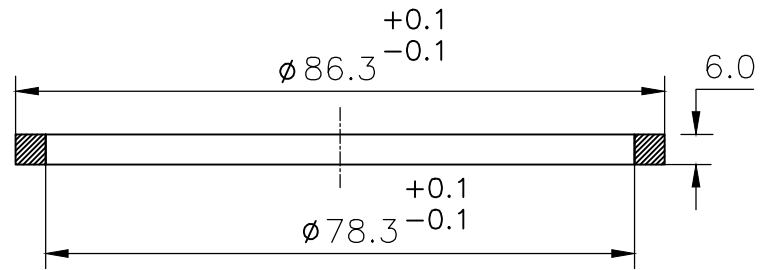
1. The joint less copper ring should be machined as per the dimensions given in the attached drawing no. 4-02-323-00126, Rev:03, from Copper (99% pure Cu) raw material.
2. After machining, the ring is to be annealed to bring down hardness below 40 BHN.
3. Material test certificate is to be provided along with the rings.

THE INFMN ON THIS DOCUMENT IS THE PROPERTY OF BHEL. IT MUST NOT BE USED DIRECTLY OR INDIRECTLY IN ANY WAY DETRIMENTAL TO THE INTEREST OF BHEL.

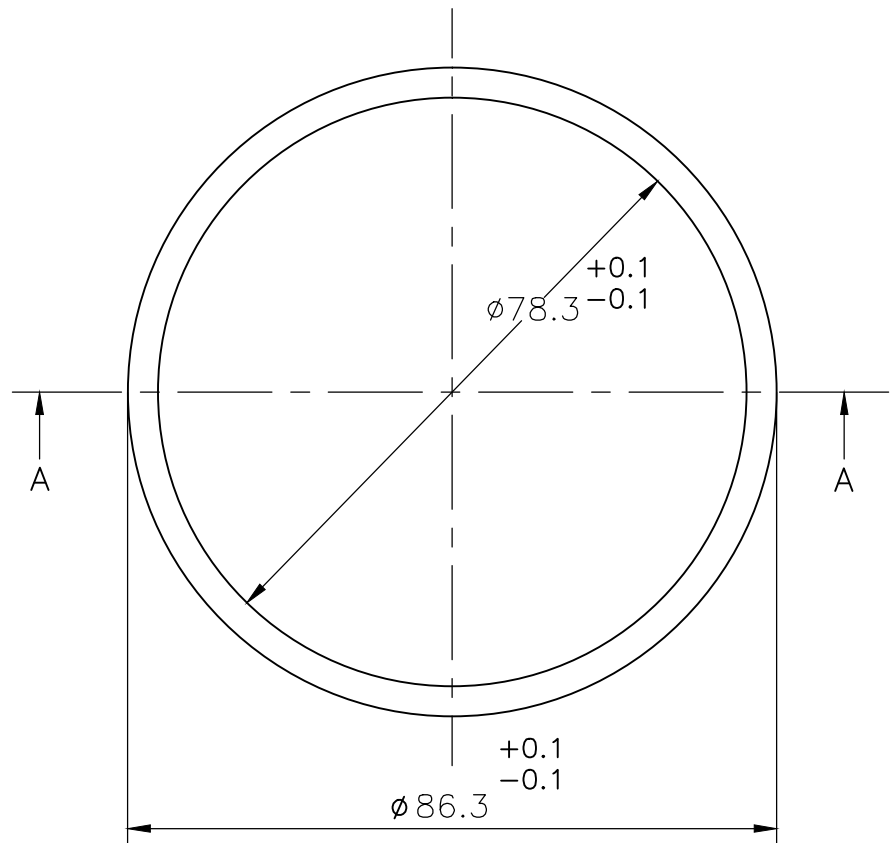
CAUTION:

REV	DATE	ALTERED : AK sharma
03	05/09/14	CHD & APPD : DJ Deka
Zone	Note: 2 added	
REV	DATE	ALTERED : AK Sharma
02	22/01/14	CHD & APPD : DJ Deka
Zone	Copper ring thickness changed from 4mm to 6mm	
REV	DATE	ALTERED : Anantharaj
01	20/11/09	CHD & APPD :R Dhanuskodi
Zone	Note: 1 added	

ALL DIMENSIONS ARE IN MM



SECTION A-A


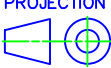


**Note:**

1. The copper rings are to be annealed to bring down hardness after machining to below 40 BHN
2. Material test certificate to be provided along with the material

VARIANT NUMBER	Copper Ring	STD	99% pure copper	A/C/P	UNIT	0.056
						01
	DESCRIPTION		MATERIAL CODE	A/C/P	UNIT	UNIT WEIGHT
						MATERIAL SPECN

**SUPERCritical TEST FACILITY (7-366-115-323)**

 355-056	Bharat Heavy Electricals Ltd UNIT: HIGH PRESSURE BOILER PLANT TIRUCHIRAPALLI - 620014	DRN	NAME AK Sharma	SIGNATURE	DATE 05-09-14
		CHD	DJ Deka		05-09-14
		APPD	R Dhanuskodi		05-09-14
DEPT R&D	PROJECTION 	SCALE NTS	WEIGHT (Kg) 0.056	REF TO ASSY / OLD DWG	
CODE 3660					
TITLE Machined copper ring with square cross section for test section flange			DRAWING NO : 4-02-323-00126		REV 03



An ISO 9001  
Company

**Bharat Heavy Electricals Limited**  
(High Pressure Boiler Plant)  
Tiruchirappalli-620 014, Tamil Nadu, India  
Dept: CCDP/MM

**ANNEXURE-B**

**Loading factors for the tender enquiry**

<b>SI No.</b>	<b>BHEL Commercial terms</b>	<b>Vendor Confirmation to BHEL Commercial terms</b>	<b>Loading Criteria for Deviations</b>
1	<b>Payment terms:</b> Payment term is 100% direct payment after 45 days from the date of receipt and acceptance of materials.		Any deviation in the above payment term will attract loading as mentioned below. "Base rate of SBI (as applicable on the date of bid opening. Techno-commercial bid opening in case of two part bids) + 6% shall be considered for loading for the period of relaxation sought by bidders.
2	<b>Liquidated damages:</b> Liquidated damages shall be 0.5% of the total order value per week or part thereof subject to a maximum of 10% of the total order value.		Any deviation from the above LD clause, loading will be applied to the extent to which it is not agreed by the bidder (at offered value).
3.	<b>Guarantee:</b> Guarantee clause 18 months from the date of supply or 12 months from the date commissioning, whichever is earlier.		No deviation permitted and the deviated offers are liable for rejection.
	<b><u>Important Note:</u></b> i) Payment through Bank is not preferred. In case of Payment through Bank is opted by Supplier, BHEL prefers documents submission through bank with copy of LR and door delivery of Goods to Stores with Consignee copy attached. In this case Loading will be 3% on the offered value. ii) BHEL will evaluate the offers and consider the ranking after the loading is applied as referred above wherever deviations are observed. iii) LC/Advance payment will not be operated for indigenous vendors. Offers of indigenous vendors with payment term as LC/Advance payment are liable for rejection.		



**BHARAT HEAVY ELECTRICALS LIMITED**  
**TIRUCHIRAPALLI – 620014**

**PURCHASE / R&D and CR**

**ANNEXURE TO PURCHASE ENQUIRY**

1. PRICE : Ex-Works / Ex-Godown (or) F.O.R- DESTINATION
2. DISCOUNT : ..... % (or) Lumpsum amount Rs .....
3. PACKING & FORWARDING : ..... % (or) Lumpsum amount Rs .....
4. TAX : VAT.....% / CST ..... %  
(CST Without C FORM)
5. SURCHARE : .....%
6. DUTIES : .....%
7. FREIGHT & INSURANCE :
8. DELIVERY PLACE :
9. DELIVERY PERIOD :
10. LD / PENALTY FOR DELAY IN DELIVERY : @ 0.5% PER WEEK SUBJECT TO A MAXIMUM OF 10% IS APPLICABLE. ACCEPTED
11. OFFER VALIDTY :
12. PAYMENT TERM : 100% direct Payment after 45 Days from the date of Receipt and Acceptance of the Material.
13. GUARANTEE / TEST CERTIFICATE :

SIGNATURE OF SUPPLIER WITH SEAL

**NOTE :** Please do not Quote as EXTRA. Quote the rate in % or the amount as lumpsum. (Rates of applicable Taxes & Duties, whether inclusive or exclusive should also be mentioned).



An ISO 9001 Company

**Bharat Heavy Electricals Limited**  
Purchase Dept /R&D and CR  
Tiruchirappalli-620014, Tamil Nadu, India

## **COMMERCIAL TERMS AND CONDITIONS FOR SUBMISSION OF OFFER**

### **1.0 QUOTATIONS**

Bidders shall submit the offer in **TWO INNER ENVELOPES** as indicated below which shall be sealed in one outer envelope.

**Envelope I** This sealed envelope should contain all the copies of technical bid together with un-priced commercial bid. This envelope should be clearly marked "**Part I - Technical and commercial bid**", indicating Enquiry No., Due Date and Address & Reference of the Bidder.

**Envelope II** This sealed envelope should contain **price details**. This envelope should be clearly marked "**Part II - Price bid**", indicating Enquiry No., Due Date and Address & Reference of the Bidder.

Both the envelopes (Part I & II) shall be put in one cover, duly sealed, superscribing as Part I and Part II of Enquiry No., due date of opening and the address and reference of the Bidder.

The above offer should reach this office on or before the due date by 14.00 Hrs (IST). Late offers will not be considered. We suggest you to send the offer by SPEED POST.

Tender should not be addressed to any Individual's name but only by designation to:

**AGM / CCDP**  
**Purchase Department**  
**BHARAT HEAVY ELECTRICALS LIMITED**  
**TIRUCHIRAPALLI - 620 014**  
**TAMIL NADU, INDIA**

Tenders should be free from **CORRECTION AND ERASURES**, Corrections if any, must be attested. All amounts shall be indicated both in words as well as in figures. Where there is difference between amount quoted in words and figures, amount quoted in words shall prevail.

Offers should be in **ENGLISH** and accompanied by detailed technical literature, catalogue and details of process facility in **ENGLISH**.

## **2.0 PART I (TECHNICAL & UNPRICED COMMERCIAL BID)**

### **2.1 Technical**

This part shall include / indicate the following:

Offer should contain complete scope of supply with all technical details, specifications, delivery and other commercial terms and conditions.

### **2.2 Commercial**

This part shall include / indicate the following:

- 2.2.1. Port of shipment / Station of despatch
- 2.2.2. Terms of payment
- 2.2.3. Taxes & duties applicable.
- 2.2.4. Delivery Schedule
- 2.2.5. Offer validity
- 2.2.6. Country of origin
- 2.2.7. A copy of "Un-Priced Part II" i.e., a copy of the Price Bid **without the price details** to be enclosed.  
(Incomplete offers shall be liable for rejection).

## **3.0 PART II (PRICE- BID)**

This part should contain the schedule of price particulars and to be co-related to the technical details provided in Part I. Wherever required / possible break up price details are to be furnished. (Bidders shall quote only fixed rate / price only and not subject to any escalation whatsoever during the period of bid validity and execution of purchase order. Any bid with adjustable or price variation clause shall be treated as "non responsive" and liable for rejection).

## **4.0 OPENING OF TENDERS**

The Part I - Technical & commercial bid alone would be opened on the Tender opening date at the pre-fixed time. In presence of responded tenderers / authorised representative, who may like to be present for tender opening.

The Part II - Price bid of Technically suitable Bidders alone would be opened. The Technically suitable Bidders would be informed about the tender opening date. Clarifications if any required by BHEL for Technical evaluation would be sought from Bidders before opening of Part II - price bid.

## **5.0 GENERAL**

5.1. Incomplete offers will not be considered.

5.2. **Terms of Delivery:** Bidders are required to quote their best delivery period. Delivery shall be counted from the date of Letter of Intent.

**5.3. Taxes and Duties :** All Taxes and Duties if any payable extra over and above the quoted price should be specifically indicated in the un-priced bid along with CST & TIN No etc., failing which the purchaser will not be liable for payment of such Taxes and Duties (the quoted rates shall be considered as "all inclusive").

**Note : We are not eligible to issue C Form.**

**5.4. Validity of Offer :** Offer shall be kept valid for acceptance for a period of 60 days (sixty days) from the date of opening of the price bid.

**5.5. Payment terms :** Payment term is 100% direct payment after 45 days from the date of receipt and acceptance of materials. (Any deviation in the above payment term will attract loading as mentioned below.

"Base rate of SBI (as applicable on the date of Techno-commercial bid opening) + 6% will be loaded for the period of relaxation sought by bidders.

Payment through Bank is not preferred. In case of Payment through Bank is opted by Supplier, BHEL prefers documents submission through bank with copy of LR and door delivery of Goods to Stores with Consignee copy attached. In this case Loading will be 3% on the offered value.

**5.6. Liquidated damages :** It is clearly understood among the parties to the contract the "**Time is the essence of the contract**". Therefore, the delivery of the goods specified in the purchase order should be made within the time prescribed. Failure to dispatch the materials in the time as per the delivery quoted in our Purchase Order would make the supplier liable to an un-conditional penalty as below

a. Liquidated damages shall be 0.5% of the total order value per week or part there of subject to a maximum of 10% of the total order value.

b. For staggered delivery schedule, LD shall be 0.5% of the undelivered portion per week of the delay or part there of subject to a maximum of 10% of the total order value.

c. Any deviation from the above LD clause, loading will be applied to the extent to which it is not agreed by the bidder (at offered value).

**5.7. Risk purchase :** Alternatively the purchaser at his option will be entitled to terminate the contract and to purchase elsewhere at the risk and cost of the seller either the whole of the goods or any part which the supplier has failed to deliver or despatch within the time stipulated as aforesaid or if the same were not available, the best and the nearest available substitute therefor. The supplier shall be liable for any loss, which the Purchaser may sustain by reason of such risk purchases.

**5.8. Test certificates:** The Bidders shall clearly mention in their offer that Test Certificates as called for in the Technical Specification, in the required number of copies will be provided at no extra cost.

**5.9.** Evaluation of the offers shall be on the basis of "To-Door Cost at BHEL, Trichy (Net Cash outflow to BHEL). BHEL will consider the ranking after the loading is applied as referred above wherever deviations are observed.