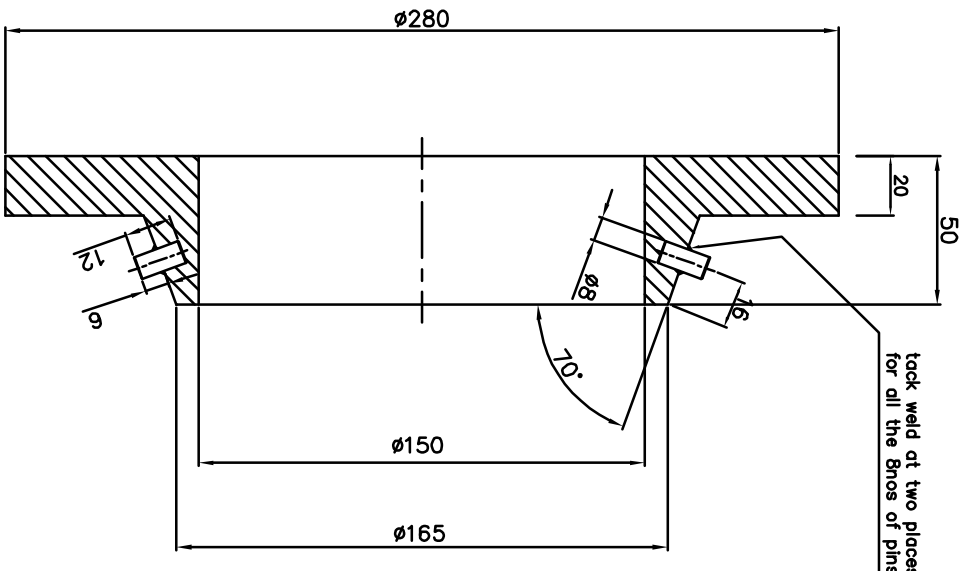
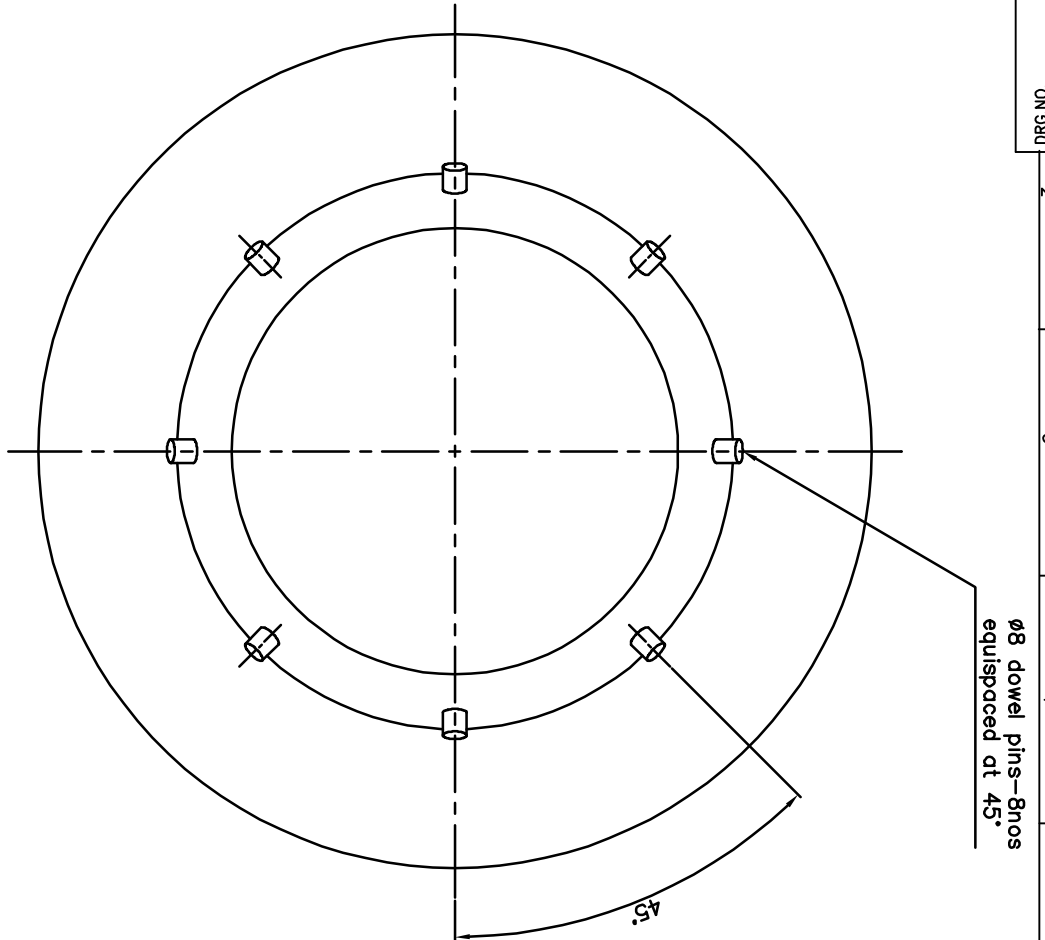


THE INFORMATION ON THIS DOCUMENT IS THE PROPERTY OF BHARAT HEAVY ELECTRICALS LIMITED.
IT MUST NOT BE USED DIRECTLY OR INDIRECTLY IN ANY WAY DETRIMENTAL TO THE INTEREST OF THE COMPANY.

DRG. NO. 2

(ALL DIMENSIONS ARE IN mm)



Material: SS316L

General Tolerance: +/−0.1
Remove all sharp corners

REV.	DATE	ALTERED	APPR.	ZONE	REV.	DATE	ALTERED	APPR.	ZONE	REV.	DATE	ALTERED	APPR.	ZONE	REV.	DATE	ALTERED	APPR.	ZONE																				
1					2					3					4					5					6					7					8				

		BHARAT HEAVY ELECTRICALS LIMITED Corp. R&D Division, Visakhapatnam HYDERABAD - 500 093	
DEPT. EMCC	SCALE NTS	NAME T. RAMESH	SIGN.
CODE 29	WEIGHT (kg)	DRN. B. KALYANI	DATE 18.11.15
TITLE END FLANGE FOR PROTOTYPE TORQUE TUBE		REF. TO ASSY DRG.	NO. OF SHEETS
DRAWING NO. 2Y1146090002		REV. 00	NO. OF ITEMS