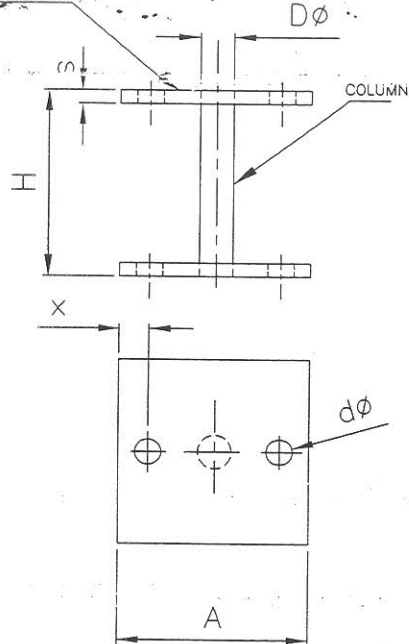
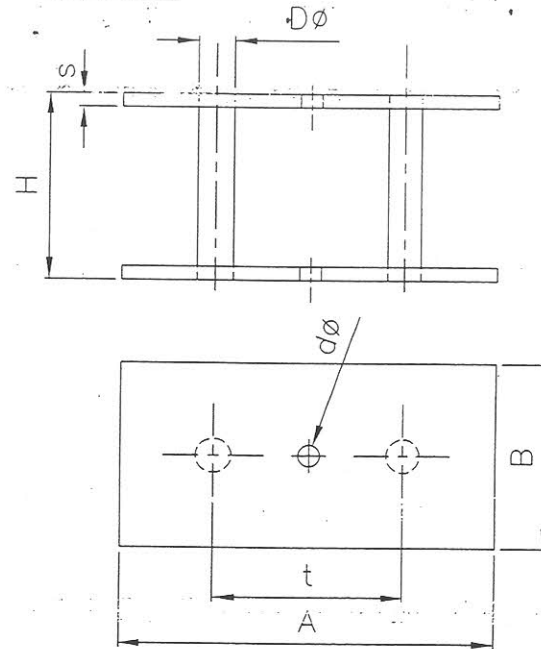


DRG. NO. SH. 1 OF 1

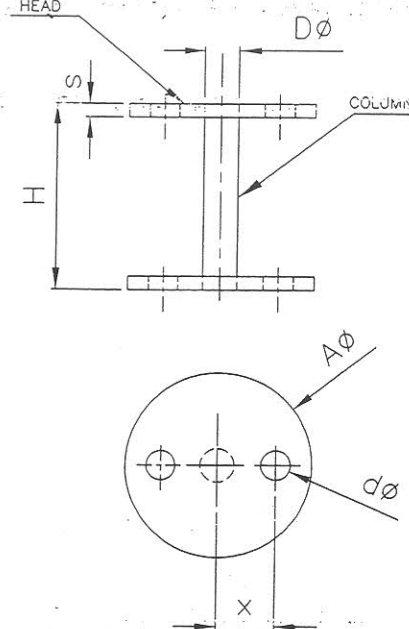
A) SINGLE COLUMN SQUARE HEADED CHAPLET HEAD



B). TWO COLUMN RECTANGULAR HEADED CHAPLET.



C) SINGLE COLUMN ROUND HEADED CHAPLET HEAD



A) SINGLE COLUMN SQUARE HEADED CHAPLET

VAR	H	A	D	S	d	X
A1	8	16	3	0.5	3	3
A2		15	2.5	0.8	3	3
A3		16	3	0.5	3	3
A4	10	15	2.5	0.8	3	3
A5		20	3	0.8	3	4
A6		22	4	0.8	3	4
A7	12	15	2.5	0.8	3	3
A8		22	4	0.8	3	4
A9		20	3	0.8	3	4
A10	15	25	4	0.8	4	5
A11		22	4	0.8	3	4
A12		20	3	0.8	4	4
A13	20	25	4	0.8	4	5
A14		30	5	1	4	6
A15		32	6	1	3	6
A16	25	25	4	0.8	4	5
A17		30	5	1	4	6
A18		40	8	1	4	8
A19	30	32	6	1	3	6
A20		30	5	1	4	6
A21		40	8	1	4	8
A22	35	40	8	1.5	3	8
A23		50	10	1.5	4	10
A24		40	8	1.5	3	8
A25	40	50	10	1.5	4	10
A26		40	8	1.5	3	8
A27		50	10	1.5	4	10
A28	50	40	8	1.5	3	8
A29		46	12	2	3	10
A30		55	10	1.5	4	10
A31	65	46	12	2	3	10
A32		60	10	1.5	4	10

NOTE :

1. CHAPLETS SHALL MEET THE REQUIREMENT AS PER IS : 5904:1978
2. CHAPLETS MUST BE HOT TIN PLATED
3. THE PLATES MUST BE FIRMLY RIVETED TO THE PIN AND IT SHALL BE RIGID AND PERPENDICULAR.
4. FOR EACH SIZE THE FIRST VARIANT IS IN-LINE WITH THE DIMENSIONS GIVEN IN IS:5904-1978, WHEREAS OTHER VARIANTS ARE CUSTOMIZED..
5. THE "H" NUMBER SHOULD BE PUNCHED ON THE CHAPLET.

B). TWO COLUMN RECTANGULAR HEADED CHAPLET

VAR	H	A	B	D	s	d	t
B1	45	80	40	8	1.5	3	40
B2	50	80	40	8	1.5	3	40
B3		80	40	10	1.5	4	40
B4	60	92	46	10	2	3	46
B5		80	40	10	1.5	4	40
B6	70	92	46	10	2	3	46
B7		80	40	10	1.5	4	40

C). SINGLE COLUMN ROUND HEADED CHAPLET

VAR	H	A	D	s	d	X
C1	18	18	3.55	1	3	5

GENERAL DIMENSIONAL LIMITS, FITS & TOLERANCES AS PER HY0230261

SIGN. AND DATE REF. DRG. NO. COMPUTER FILE NAME THE INFORMATION ON THIS DOCUMENT IS THE PROPERTY OF BHARAT HEAVY ELECTRICALS LIMITED. IT MUST NOT BE USED DIRECTLY OR INDIRECTLY IN ANY WAY DETRIMENTAL TO THE INTEREST OF THE COMPANY

TYPE OF PRODUCT OR NAME OF CUSTOMER/PROJECT

	BHARAT HEAVY ELECTRICALS LTD.		NAME	DATE	NO. OF VAR.
	HYDERABAD		V.L.NATH	15.11.10	
			RESTRICTED USE	15.11.10	-NA-

REV.	DATE	ALTERED	REV.	DATE	ALTRD/CHD	V.L.NATH
02	12.6.14	CHD/APPD	01	26.04.11	CHD/APPD	M.N.A
					THE DRAWING MODIFIED.	
					Dia 'd' 2mm, 3mm changed to 4mm	

DEPT. F&P	UNTOL. DIMS. GR. 2/M/Y	SCALE N.T.S	WEIGHT (KG)	REF. TO ASSY. DRG. -NA-	ITEM NO. -NA-	NO. OF ITEMS -NA-
CODE 204A						
TITLE M.S.CHAPLETS USED IN FERROUS FOUNDRY			CARD CODE -NA-	DRAWING NO. 3-04-893		REV. 02
			SHT. No 1	NO. OF SHT. 1		