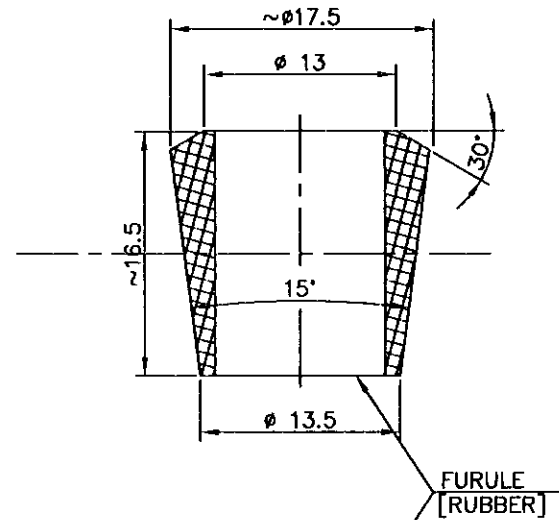
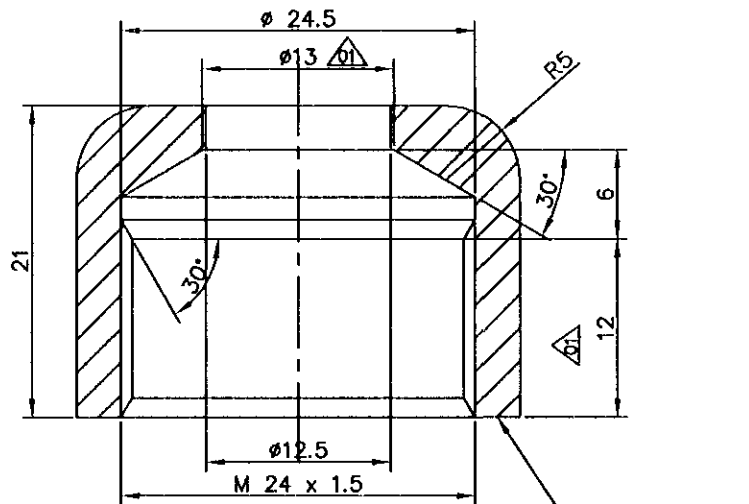
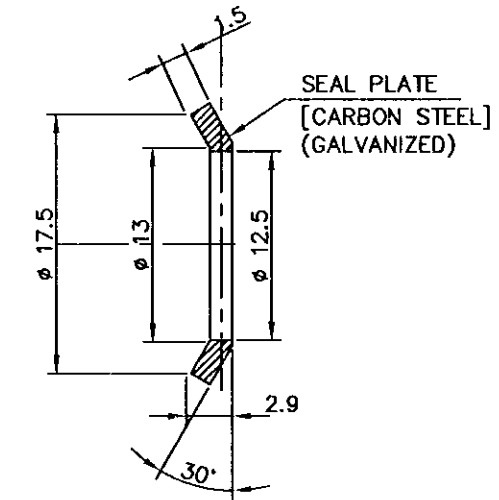
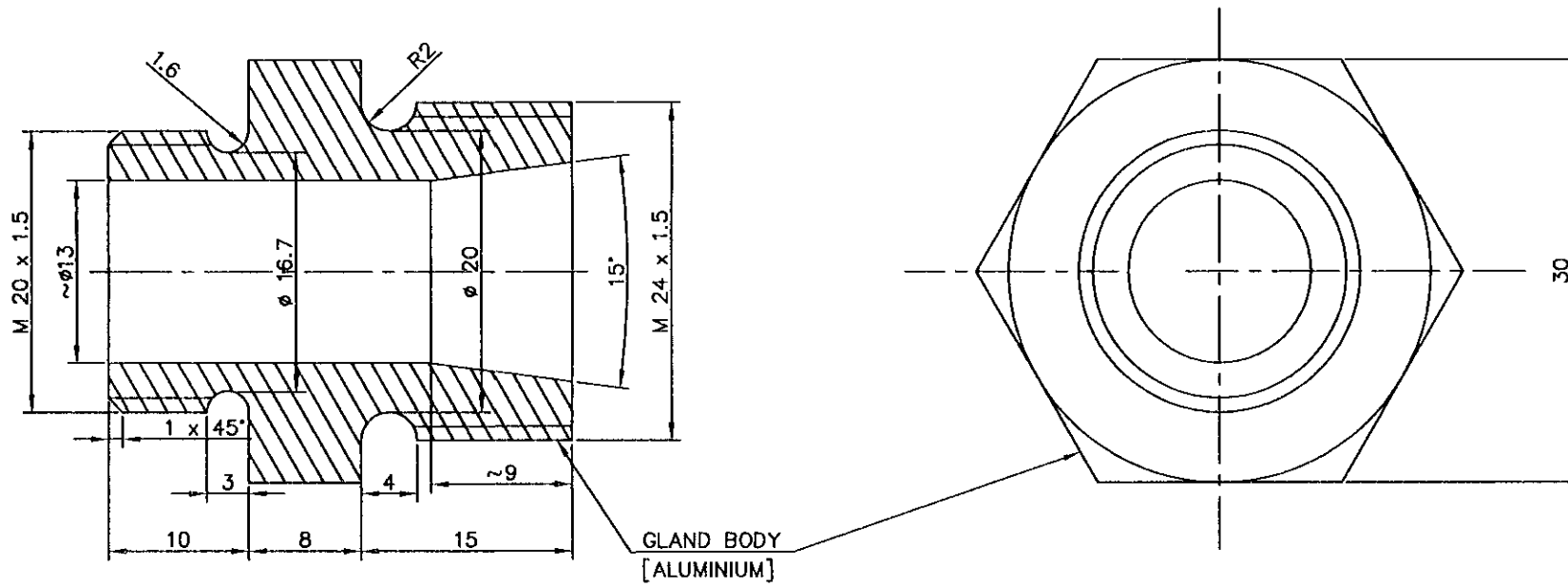


DRAWING NO. 3-20-201-00166



NOTES:-

- FOR QUALITY REQUIREMENTS REFER LATEST APPLICABLE QUALITY PROCEDURES.
- CABLE GLAND BE SUPPLIED IN ASSEMBLED CONDITION.

PART CODE : 963531540000

NO OFF	DESCRIPTION	MATL CODE	MATL SPECN	HEAT TREATMENT	SCRAP SORT	NET WT (kg)	GROSS WT (kg)	DRAWING No	ITEM No
--------	-------------	-----------	------------	----------------	------------	-------------	---------------	------------	---------

TYPE OF PRODUCT  
OR NAME OF  
CUSTOMER/PROJECT



**BHARAT HEAVY ELECTRICALS LTD.,**  
UNIT: HIGH PRESSURE BOILER PLANT.  
TIRUCHIRAPALLI-620014.

DRN	NAME	SIGN	DATE	NO. OF VAR.
CHD	V.ARUMUGAM			
APPD	K.SRIDHARAN			
	S.NATARAJAN			

DEPT	SCALE	WEIGHT (KG).	REFERENCE INFORMATION	NO. OF ITEMS
SB	NTS	0.02		
CODE 330				

TITLE	CARD CODE	DRAWING NO.	REV
CABLE GLAND	U 01	3-20-201-00166	03

REV	DATE	ALTERED
03	11.06.01	CHD & APPD

DRG.UPDATED AND REDRAWN.

DCN: SB: 1298

CAUTION: The information on this document is the property of BHARAT HEAVY ELECTRICALS LTD. It must not be used directly or indirectly in any way detrimental to the interest of the company.