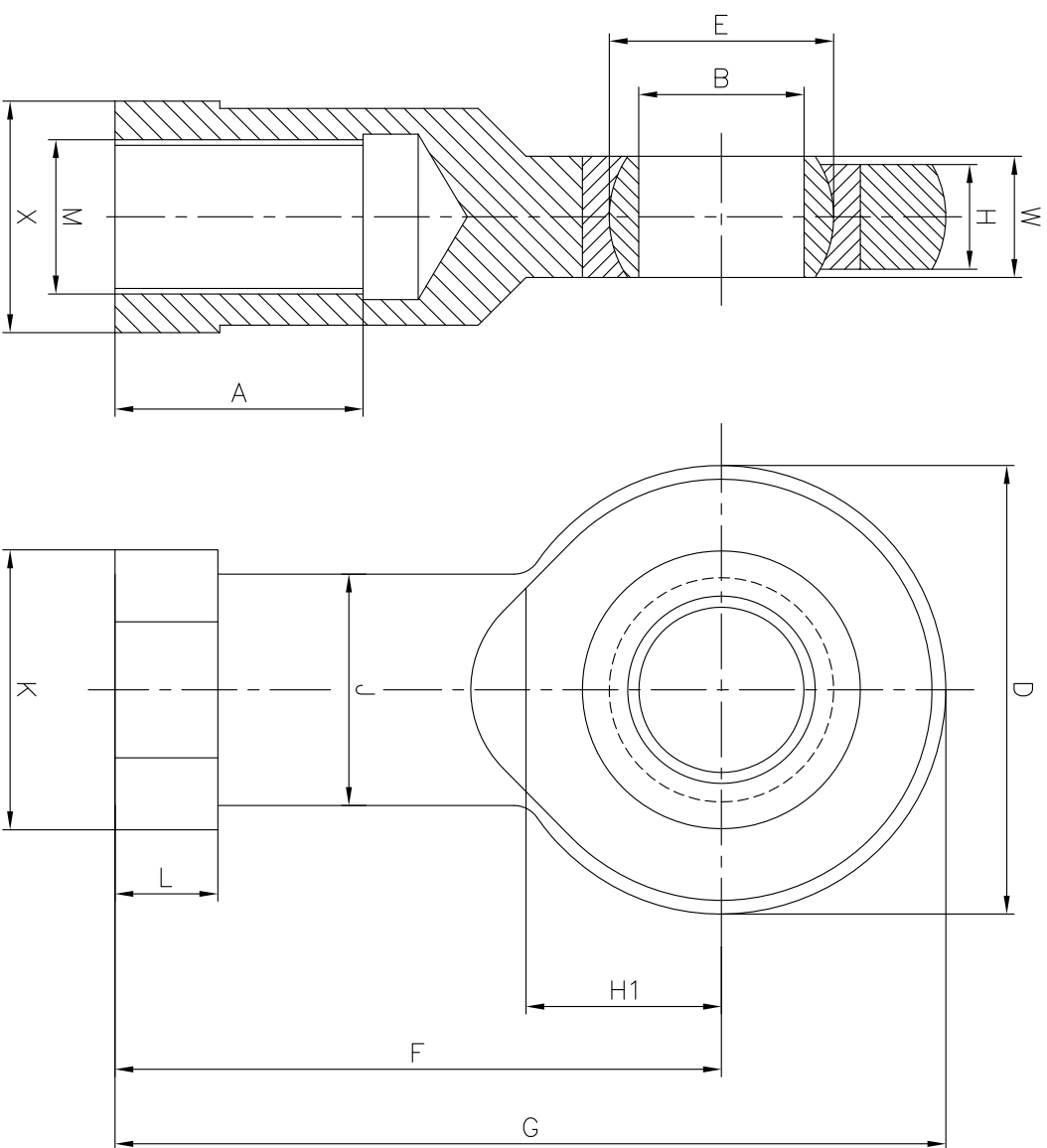


51676-666-08-2

DRAWING No

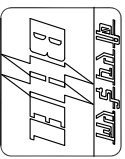


CAUTION THE INFORMATION ON THIS DOCUMENT IS THE PROPERTY OF BHARAT HEAVY ELECTRICALS LIMITED. IT MUST NOT BE USED DIRECTLY OR INDIRECTLY IN ANY WAY DETRIMENTAL TO THE INTEREST OF THE COMPANY

ROD END TYPE	BHEL MATERIAL CODE No.		DIMENSIONS (MM)																BASIC LOAD		WEIGHT	
	R.H	L.H	B	D	W	H	M	F	E	A	H1	G	L	X	J	K	KN	KN	KN	Kg		
ROD END 63KN	948215550000	948215650000	30	73	22	19	M30X2	110	40.7	45	35	146.5	19	45	42	50.8	65.5	134	0.97			
ROD END 100KN	948215560000	948215660000	40	92	28	23	M39X3	142	53	65	48	188.0	18	55	52	65	140	186	2.05			
ROD END 250KN	948215580000	948215680000	60	135	44	38	M52X3	175	80	70	75	242.5	20	75	70	88	345	440	5.60			
TOLERANCES			0	±2.0	0	±1.0	6H	±3.0	±0.1	±3.0	±3.0	±3.0	±3.0	0	+8.0	+6.0						
			-0.01		-0.2									-2.0	-2.0	-3.0						

NOTE:-
 A) MATERIAL:
 HOUSING = IS: 1875-C3-30C8
 IS: 1875-C4-45C8
 BEARING TYPE : MAINTANANCE FREE SPHERICAL PLAIN BEARING.
 BEARING MAKE : SKF / MAYFIELD / ELGES / INA.
 OUTER RING = SAE52100/EN31
 INNER RING = SAE52100/EN31
 LINER = SELF LUBRICATING SHEET
 B) SURFACE TREATMENT:
 HOUSING = ZINC PLATING
 OUTER RING = PHOSPHATE TREATED
 INNER RING = HARD CHROME PLATING ON O.D & WIDTH

TYPE OF PRODUCT OR NAME OF CUSTOMER/PROJECT



BHARAT HEAVY ELECTRICALS LTD.,
 PIPING CENTRE,
 CHENNAI 600 017

DRN	NAME	SIGN	DATE	NO OF ITEMS
M.PUGAZH		-sd-	24.08.15	
M.MANO		-sd-	24.08.15	
C.KARANIKARAN		-sd-	24.08.15	

REV	DATE	ALTERED
01		APPROVED

DEPT.	GRADE OF UN TOL. DIM	SCALE	WEIGHT (kg)
	C/M/F	N.T.S	

REVISION	DATE	BY	REASON

TITLE: ROD END WITH BEARING ASSEMBLY U 01
 CARD CODE: 3-80-999-97915
 DRAWING No. 00