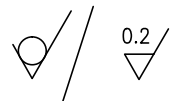
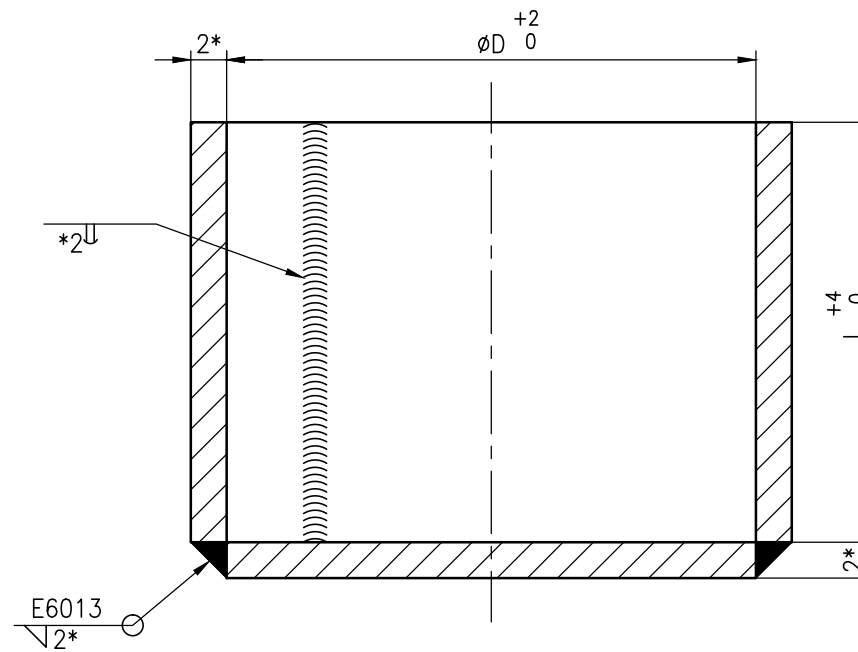


ALL DIMENSIONS ARE IN MILLIMETRES. FOR TOLERANCES OF UNTOLERANCED DIMENSIONS DURING MANUFACTURE REFER RELEVANT QCP / QP.

3-V-0000-23461/8
DRAWING NO.



SL. NO.	DRAWING NO.	COMPONENT CODE	ϕD^0	L^0	WT (kg)	VALVE SIZE
01	3-V-N590-23461/1	964536440000	426	100	4.4	16"-150C
02	3-V-N593-23461/1	964536450000	387	90	3.6	14"-300C
03	3-V-N595-23461/1	964536460000	542	125	7.0	20"-300C
04	3-V-V137-23461/1	964535420000	359	100	4.0	300/1500C
05	3-V-V329-23461/1	964535430000	304	100	2.7	250/2500C
06	3-V-V465-23461/1	964535440000	545	200	5.4	500/3500C
07	3-V-C520-23461/1	964536900000	84	30	0.3	65/1500C
08	3-V-C524-23461/1	964536910000	184	75	1.1	150/1500C
09	3-V-C526-23461/1	964536920000	234	75	1.6	200/1500C
10	3-V-N826-23461/2	964650010000	850	90	12.4	32"/150C
11	3-V-W587-23461/1	964535770000	256	100	2.05	200/2750C
12	3-V-W551-23461/1	964535890000	408	50	3.06	500/2750C
13	3-V-V377-23461/1	964535910000	466	150	6.13	350/2500 & 400/2500
14	3-V-3318-23461/1	964653630000	827	80	11.6	700/1500



NOTE:-

- 1.MATERIAL SPECIFICATION :- IS1079 Gr St 34 (BMC 10)
2. *SHEET THICKNESS 1.6 ALSO ACCEPTABLE.

SL No	DRAWING No	COMP CODE	MATL SPECN	HEATTREATMENT	SCRAP SORT	NET WT (kg)	GROSS WT (kg)
-	-	-	-	-	-	-	-

REV	DATE	ALTERED	P.NALLATHAMBI	REV	DATE	ALTERED	:GANESH
8	16.03.13	CHD & APPD	S.S.K. & M.R.K	7	24.02.10	CHD & APPD	:MRK
NOTE No.2 ADDED.				SL. No.14 INCLUDED.			
DCP: 801481							

CAUTION: The information on this document is the property of BHARAT HEAVY ELECTRICALS LTD. It must not be used directly or indirectly in any way detrimental to the interest of the company.

TYPE OF PRODUCT OR NAME OF CUSTOMER/PROJECT								
		BHARAT HEAVY ELECTRICALS LTD., UNIT: HIGH PRESSURE BOILER PLANT. TIRUCHIRAPALLI-620014.		DRN	V.BAIRAVAN	SIGN	DATE	NO.OF VAR.
365-121				CHD	K.RAJASEKARAN		24.12.04	
				APPD	M.RAJAKUMAR		24.12.04	
DEPT	VL	SCALE	WEIGHT (KG).	REFERENCE INFORMATION				NO. OF ITEMS
CODE	320	N T S	REF.TABLE	CAD REF:C323461				
TITLE				CARD CODE	DRAWING NO.			REV
METALLIC END COVERS (FABRICATED)				U 01	3-V-0000-23461			8