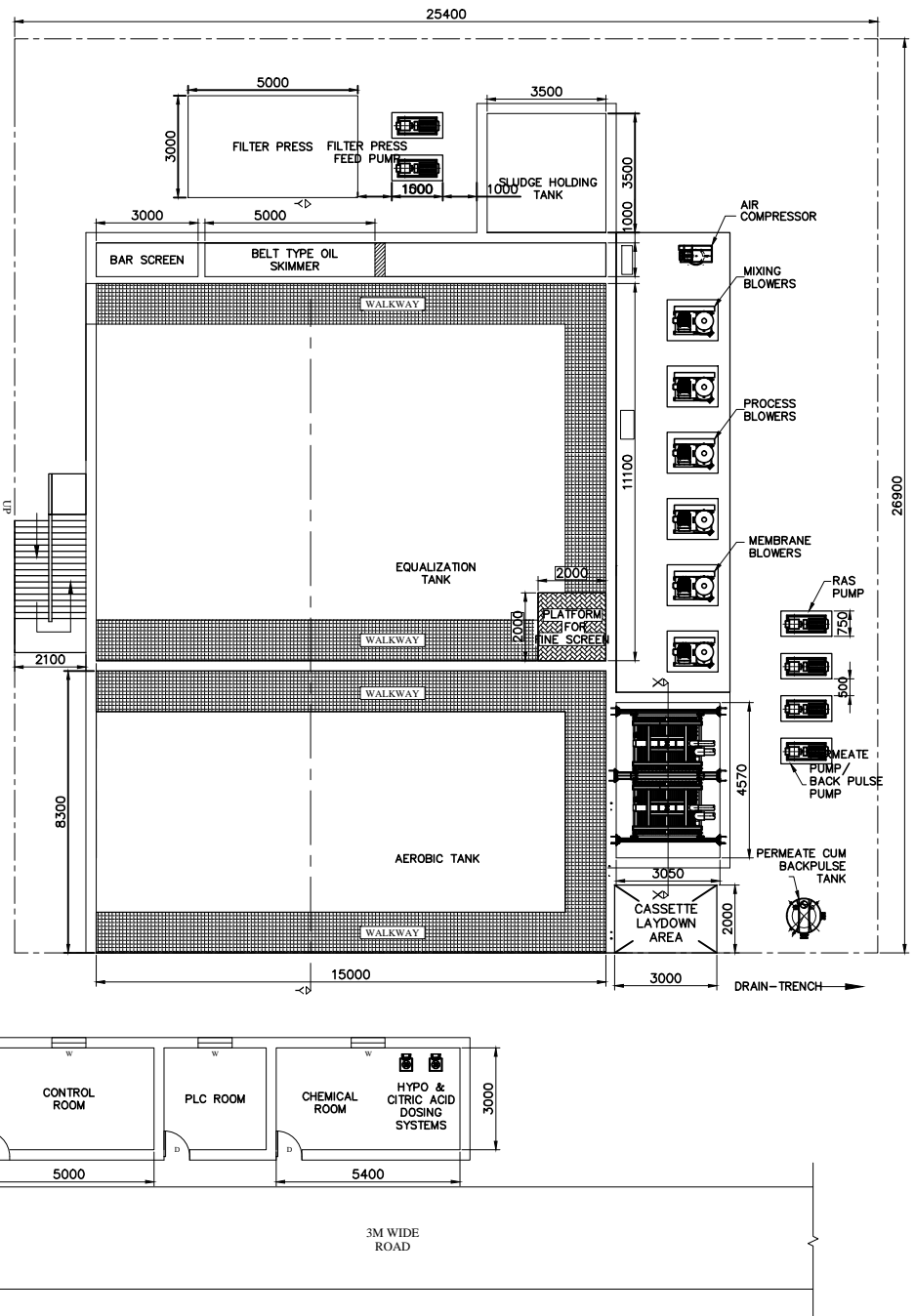
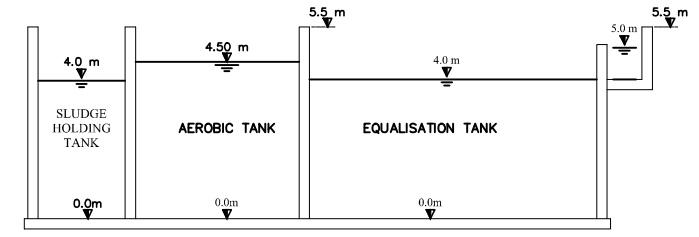


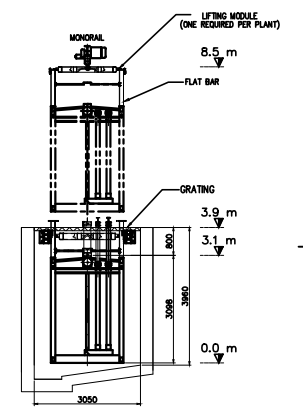
3-WT-220-00499
DRAWING NO. ON DIMENSIONS



CIVIL UNITS			
SINo	Description	Tank Dimension / Volume	Qty
1	Screen Chamber	1.0 m x 3.0 m x 1.00 m TD + 0.5 FB	1
2	Belt Type Oil Skimmer	1.0 m x 5.0 m x 0.75m LD + 0.3 FB	1
3	Equalisation Tank	11.1 m X 15.0 m X 4.0 m LD + 0.7 FB	1
4	Drum Screen	2.0 m x 2.0 m	1
6	Aeration Tank	8.3 m x 15 m x 4.5 m TD + 0.5FB	1
7	Membrane tank	3.0 m x 4.57 m x 3.96 m TD	1
8	Permeate cum Back pulse tank	3m Dia X 1.26 LD + 0.4 FB	1
9	Sludge Holding Tank	3.5 m x 3.5 m x 4.0 m TD + 0.3 FB	1
10	Control Room	3.0 m x 5.0 m x 4.0 m TD	1
11	PLC Room	3.0 m x 3.0 m x 4.0 m TD	1
12	Chemical Room	3.0 m x 5.4 m x 4.0 m TD	1



SECTION Y-Y



SECTION X-X

NOTE:
ALL DIMENSIONS ARE IN MM UNLESS OTHERWISE NOTED.

BHEL TRICHY STP - 2 MLD

BHEARAT HEAVY ELECTRICALS LTD
SHEET: BOILER AUXILIARIES PLANT, RAMPET - 638406
REV PRODUCTS/RESUBMITTEN

The information on this drawing is the property of BHEARAT HEAVY ELECTRICALS LTD. It is not to be used, copied, or reproduced in any way without the written consent of BHEARAT HEAVY ELECTRICALS LTD.

REV	DATE	BY	CHK	APP	DEPT.	SCALE	DRAWING NO.
1	18/03/20	AN	SP	EN	ESP		3-WT-220-00499

TITLE: PLANT LAYOUT

SHEET 1 OF 1

Size A3
12