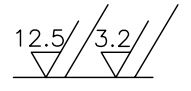


SIGN. AND DATE REF. DRG. NO. COMPUTER FILE NAME THE INFORMATION ON THIS DOCUMENT IS THE PROPERTY OF BHARAT HEAVY ELECTRICALS LIMITED. IT MUST NOT BE USED DIRECTLY OR INDIRECTLY IN ANY WAY DETRIMENTAL TO THE INTEREST OF THE COMPANY

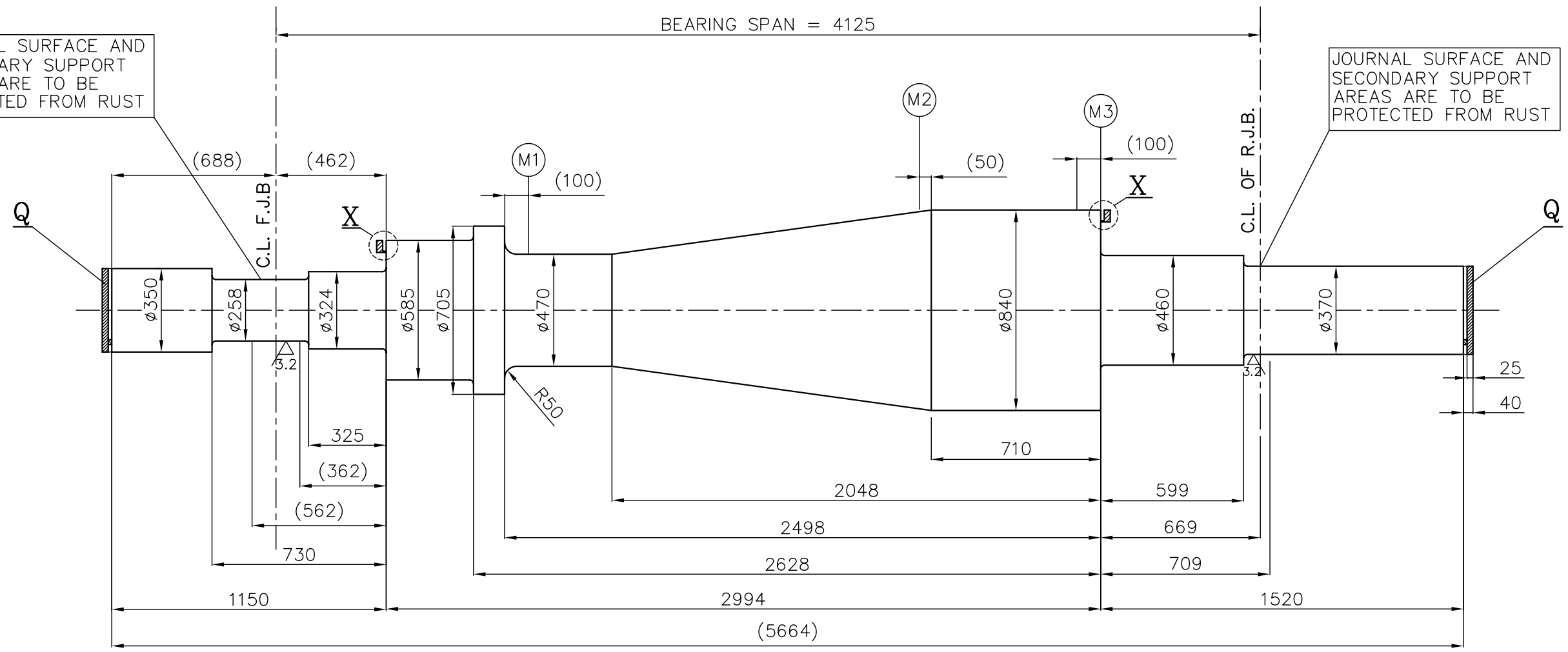
GENERAL DIMENSIONAL LIMITS, FITS & TOLERANCES AS PER HY0230261

DRG. NO. 3-303-01-20149 SH. 1 OF 1



JOURNAL SURFACE AND SECONDARY SUPPORT AREAS ARE TO BE PROTECTED FROM RUST

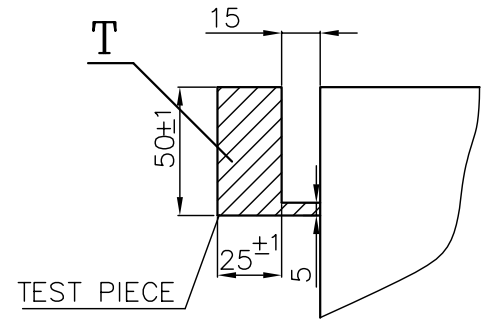
JOURNAL SURFACE AND SECONDARY SUPPORT AREAS ARE TO BE PROTECTED FROM RUST



(M1) (M2) (M3) MEASURING LOCATIONS FOR THERMAL STABILITY TEST

EXACT LOCATION IN THE MEASURING LOCATION IS TO BE DECIDED BY THE SUPPLIER.

DETAIL-X



TECHNICAL REQUIREMENTS:

1. ROTOR FORGING IS TO BE SUPPLIED AS PER PURCHASE SPECIFICATION NO. HY19473/HY19375.
2. ALL UNMENTIONED RADII =R16
3. THERMAL STABILITY TEST IS REQUIRED AND IT IS TO BE DONE AS PER PURCHASE SPECIFICATION NO. HY19473/HY19375.
4. T = TANGENTIAL TEST PIECE Q = RADIAL TEST



TC9507350349	10776.0	30CrMoNiV511/28CrMoNiV59	HY19473/HY19375	00
MATERIAL CODE	WEIGHT(Kg.)	MATERIAL	MATERIAL SPECIFICATION	VAR
TYPE OF PRODUCT OR NAME OF CUSTOMER/PROJECT		HNK 50/80-3		
Bharat Heavy Electricals Ltd. Hyderabad		DRN.	G.S.RANI	08.08.07
		CHD.	MAHESH	08.08.07
		APPD.	M.R.BABU	08.08.07
DEPT. I.T.D	UNTOL. DIMS. GR. C/M/F	SCALE	WEIGHT (KG)	REF. TO ASSY. DRG. ITEM NO. NO.OF ITEMS
CODE 415		1:20		N.A.
TITLE		CARD CODE	DRAWING NO.	REV.
ROTOR FORGING		N.A.	3-30301-20149	00
		SHT. No	1	NO. OF SHT. 1