

34665850016

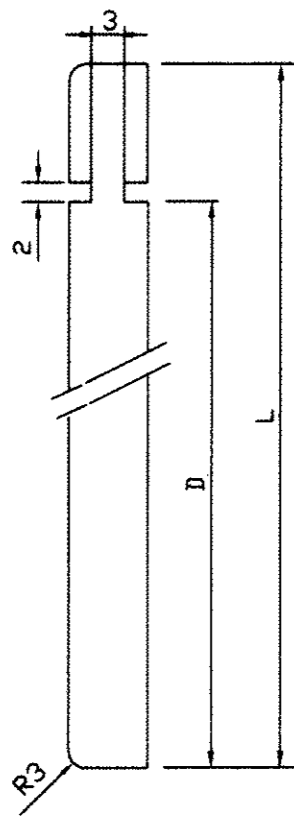


FIG.1

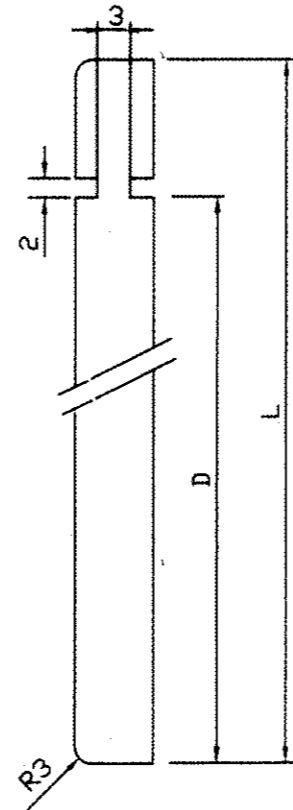
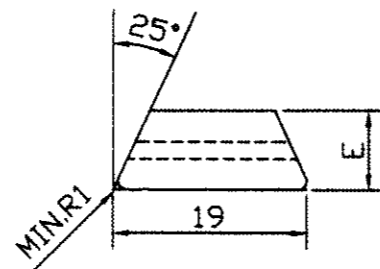
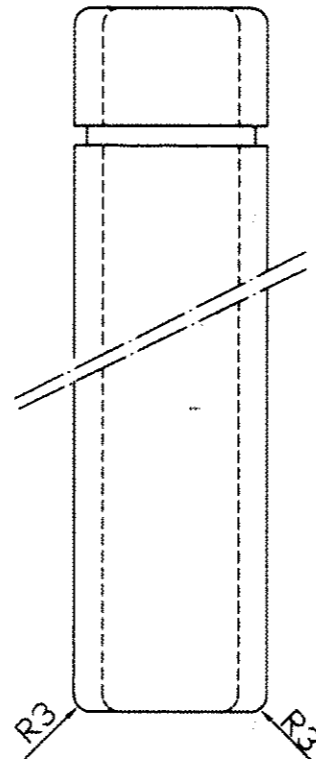
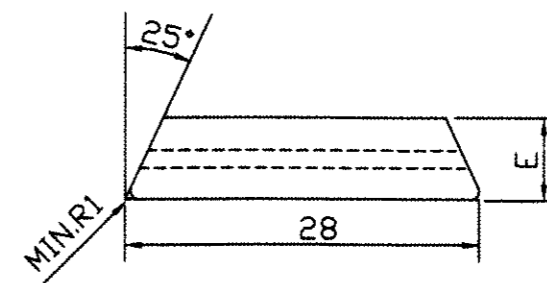
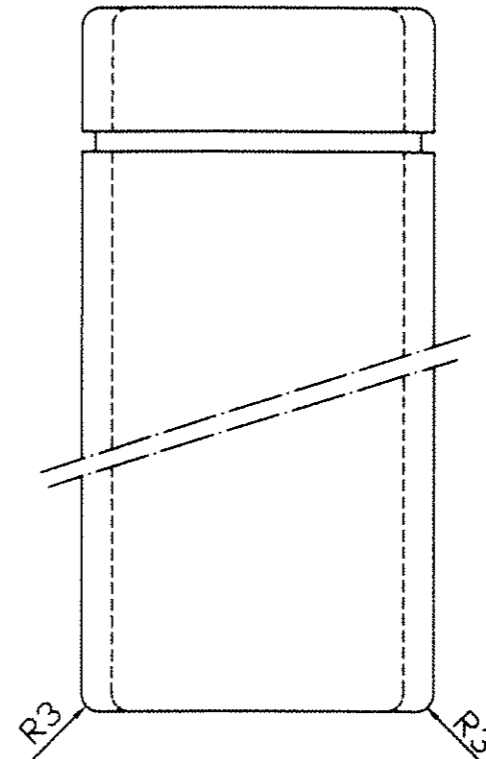


FIG.2



TRE REF. DRGS.		ADDITIONAL INFORMATION		TYPE OF PRODUCT		6531 KVA FRT. LOCO. TRFR.						
HSTN 421774		W.D. 04947A03001		OR								
		STATUS OF DRAWING		NAME OF CUSTOMER/PROJECT		M/S : C.L.W.						
		DISTRIBUTION OF PRINTS		Bharat Heavy Electricals Ltd. Logo		NAME		SIGN		DATE		
		TRE TRP BAY 3,4&5 BAY 6&7 BAY 9		BHARAT HEAVY ELECTRICALS LTD.		DRN RAMESH KUMAR		S.P. GUPTA		03.09.98		
		1 1 2 2 4		JHANSI		APPD Ramesh Kumar				7.10.98		
										16/10/98		
REV	DATE	ALTERED	REV	DATE	ALTERED	DEPT	GRADE OF TOL. DIM.	SCALE	WEIGHT (KG)	REF. TO ASSY. DRG.	ITEM NO.	NO. OF ITEM
		CHECKED			CHECKED	TRE	C/M/F	1:1				
						406						
						TITLE		DRG. NO.		REV.		
						WEDGE		34665850016		00		
								SHEET NO.		NO. OF SHEET		

INVENTORY NO. SERIAL NO. DATE RECEIVED BY: ...