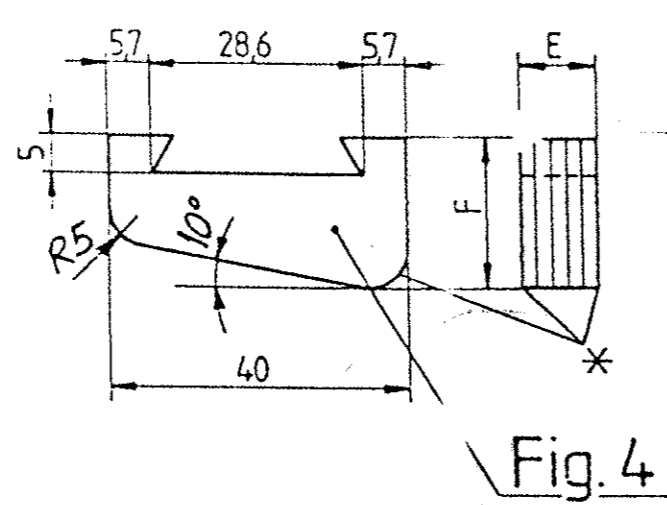
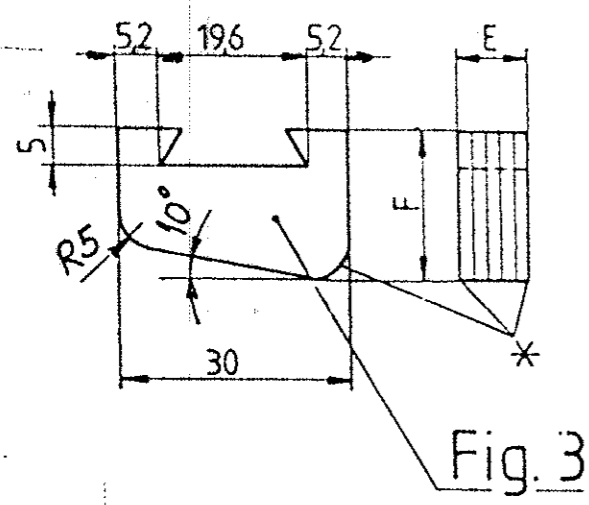
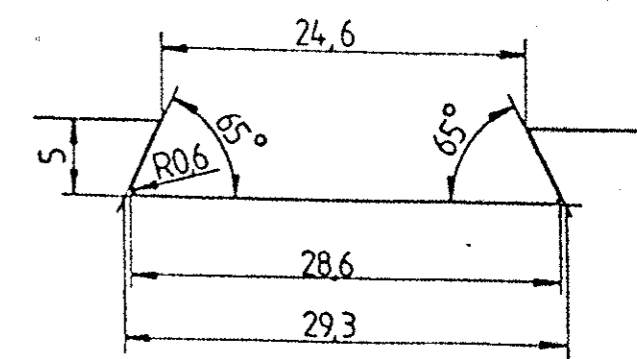
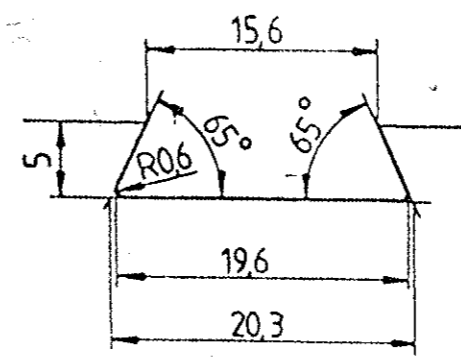
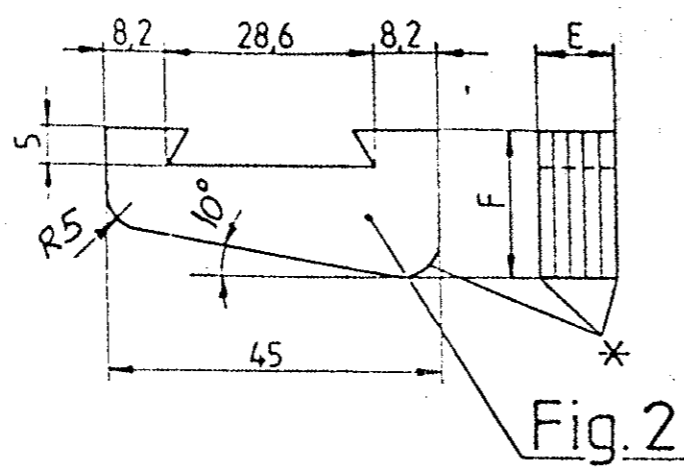
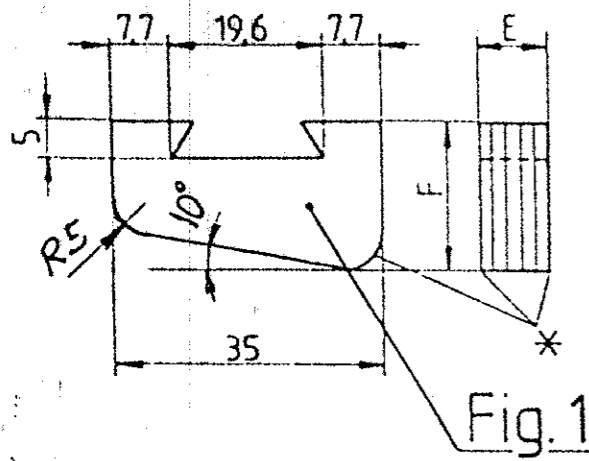


34665850019



ALL DIMENSIONS ARE IN MM

REF. DRG. NO.

SIGN. AND DATE

INVENTORY NO.

VAR.00	REMARKS	ITEM NO.	DESCRIPTION	DRAWING NO.	IT.NO.	MATL. CODE	UNIT WT.
					VAR.	MATL. SPECN	QTY.

TRE REF. DRGS.		ADDITIONAL INFORMATION		CARD TYPE -3		CARD TYPE -1		CARD TYPE -2				
HSTC 437048		W.D. 04947A03001		TYPE OF PRODUCT		6531 KVA FRT. LOCD. TRFR.						
		STATUS OF DRAWING		OR		NAME OF CUSTOMER/PROJECT						
		U		M/S : C.L.W.		BHARAT HEAVY ELECTRICALS LTD.		JHANSI				
		DISTRIBUTION OF PRINTS		DRN		NAME		SIGN				
		TRE TRP BAY 3,4&5 BAY 9		RAMESH KUMAR		RAMESH KUMAR		30.09.98				
		1 1 2 4		S.P.GUPTA		S.P.GUPTA		7-10-98				
				APPD		Roshopalva		16/10/98				
REV	DATE	ALTERED	REV	DATE	ALTERED	DEPT	GRADE OF TOL. DIM.	SCALE	WEIGHT (KG)	REF. TO ASSY.DRG.	ITEM NO	NO. OF ITEM
		CHECKED			CHECKED	TRE	C/M/F					
TITLE										DRG.NO.		REV.
SPACERS										34665850019		00
										SHEET NO.		NO. OF SHEET