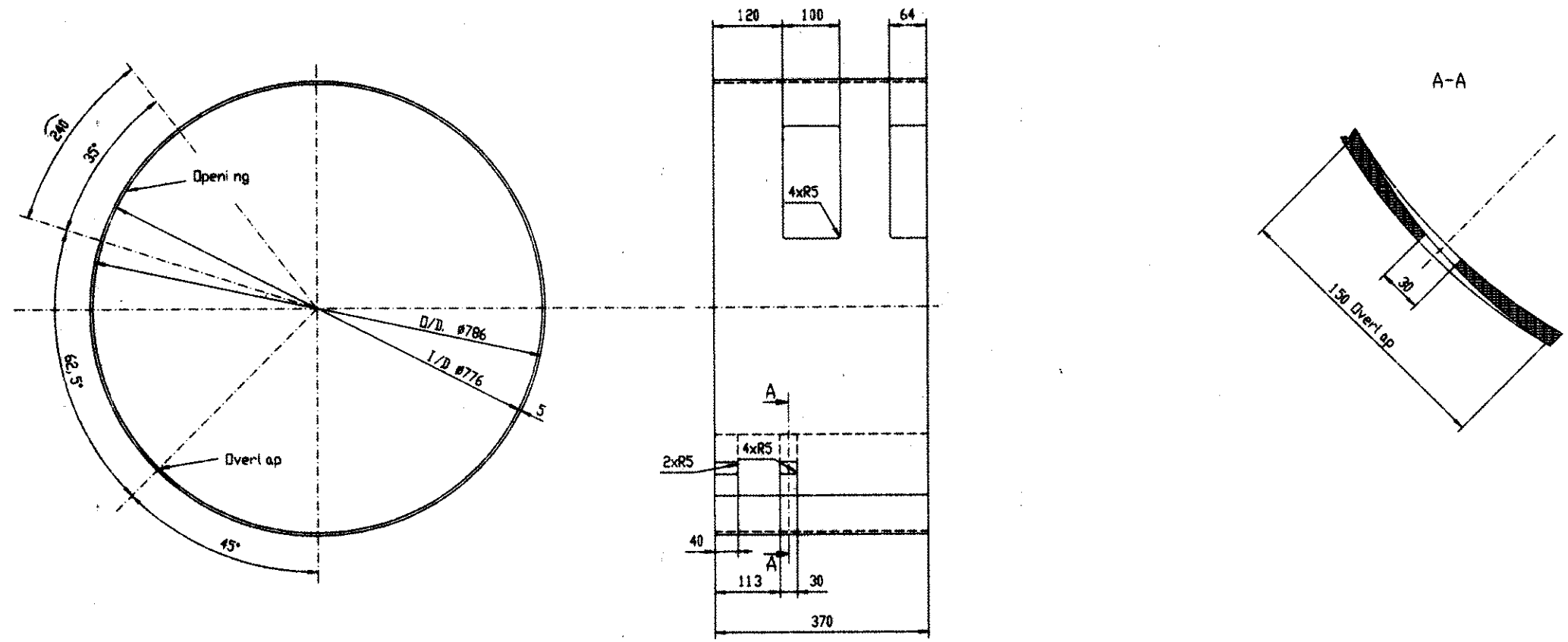


34665850022



001	TO DETAIL	1	CYLINDER PRE. COMP. PBD. 5 TK x 370 x 2620 LG.		AA 2111708062	005.700
					AA 21108	001
VAR.00	REMARKS	ITEM NO.	DESCRIPTION	DRAWING NO.	IT.NO.	UNIT WT.
					VAR.	QTY.

INVENTORY NO. SIGN AND DATE REF. DRG. NO. FRT30097.DWG ALL DIMENSIONS ARE IN MM

TRE REF. DRGS.		ADDITIONAL INFORMATION		CARD TYPE -3		CARD TYPE -1		CARD TYPE -2				
HSTN 310922		w.d. 04947A03001		TYPE OF PRODUCT		6531 KVA FRT. LOCO. TRFR.						
		STATUS OF DRAWING		OR		NAME OF CUSTOMER/PROJECT						
		U		M/S : C.L.W.		BHARAT HEAVY ELECTRICALS LTD.		JHANSI				
		DISTRIBUTION OF PRINTS		DEPT		NAME		SIGN				
		TRE TRP BAY 1&2 BAY 6&7 BAY 9		TRE		RAMESH KUMAR		DATE				
		1 1 3 4 2		CODE		S.P.GUPTA		09.10.98				
				406		APPD Ramesh Kumar		16/10/98				
REV	DATE	ALTERED	REV	DATE	ALTERED	DEPT	GRADE OF TOL. DIM.	SCALE	WEIGHT (KG)	REF. TO ASSY.DRG.	ITEM NO	NO. OF ITEM
		CHECKED			CHECKED	TRE	C/M/F		5.7			
TITLE										DRG.NO.	REV.	
CYLINDER (OPEN)										34665850022	00	
										SHEET NO.	NO. OF SHEET	
											A3	