

INVENTORY NO.

SIGN. AND DATE

REF. DRG. NO.

FRT30237.DWG

[ALL DIMENSIONS ARE IN MM]

TRE REF. DRGS. HSTN 423897 A

ADDITIONAL INFORMATION
W.D. 04947A03001

STATUS OF DRAWING
U

DISTRIBUTION OF PRINTS
TRE TRP BAY 3,4&5 BAY 6&7 BAY 9

REV. DATE ALTERED CHECKED
1 1 1
2 2 2
4 4 4

WHOLE LOWER WEDGING PLATE (R)

TITLE

SHEET NO. 01

NO. OF SHEET 02

34666650007

DRGNO.

24666650013

CODE 406

C/M/F

N.T.S.

WEIGHT (KG) 00.41



SCALE

REF. TO ASSY.DRG.

R.K. MAHAPATRA

S.P. GUPTA

RAMESH KUMAR

03.02.99



BHARAT HEAVY ELECTRICALS LTD.

JHANSI

NAME OF CUSTOMER/PROJECT
M/S : C.L.W.

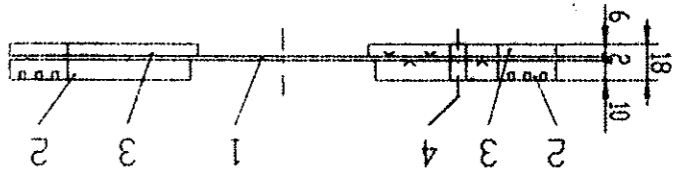
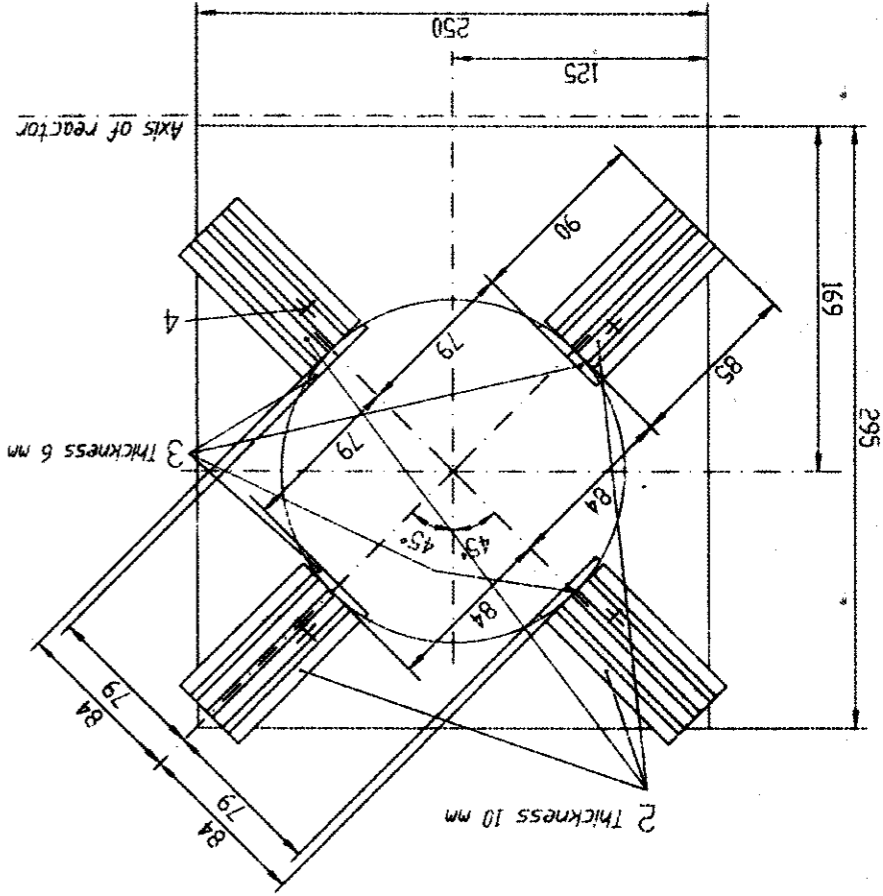
TYPE OF PRODUCT
6531 KVA FRT. LOCO. TRFR.

CARD TYPE -2

CARD TYPE -1

CARD TYPE -3

VAR.00	ITEM NO.	REMARKS	DESCRIPTION	DRAWING NO.	VAR.	MATL. SPECN	QTY.
001	1		CALAGE PLATE	44666650065	1		000.137
004	2		FIXING WEDGE	44666650066	1		000.160
004	3		PLATE PRE. COMP. P.8D	AA22216078	8	AA22216	000.110
001	4		ROD FIBRE	PS 21143	7	PS 21143	000.004



Pin and glue (IT4: cut length as needed when assembling)

34666650007