

INVENTORY NO.

SIGN AND DATE

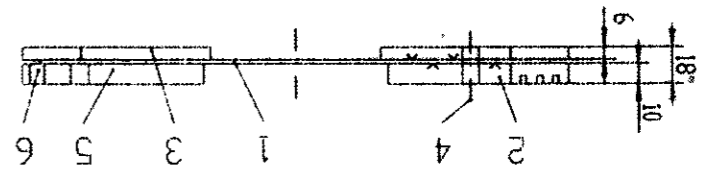
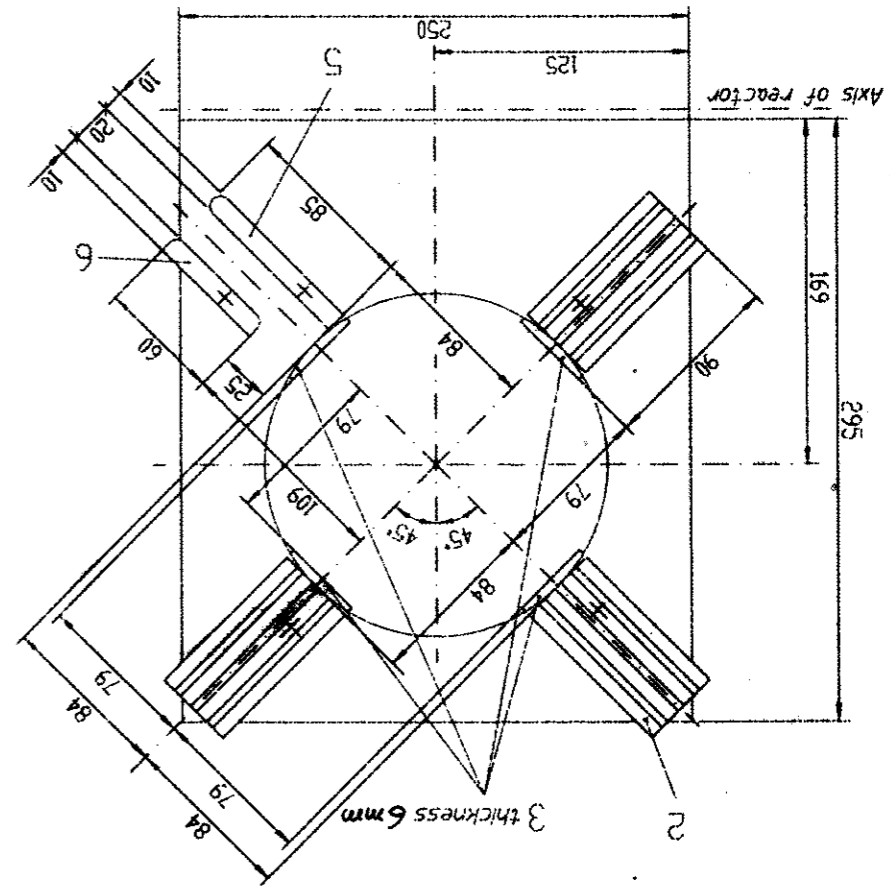
REF. DRG. NO. FRT30242.DWG

[ALL DIMENSIONS ARE IN MM]

3466650008

REV. DATE		REV. DATE		REV. DATE		REV. DATE		REV. DATE		REV. DATE	
CHECKED		CHECKED		CHECKED		CHECKED		CHECKED		CHECKED	
ALTERED		ALTERED		ALTERED		ALTERED		ALTERED		ALTERED	
DATE		DATE		DATE		DATE		DATE		DATE	
1		1		1		1		1		1	
2		2		2		2		2		2	
4		4		4		4		4		4	
TRE TRP BAY 3,4&5 BAY 6&7 BAY 9		TRE TRP BAY 3,4&5 BAY 6&7 BAY 9		TRE TRP BAY 3,4&5 BAY 6&7 BAY 9		TRE TRP BAY 3,4&5 BAY 6&7 BAY 9		TRE TRP BAY 3,4&5 BAY 6&7 BAY 9		TRE TRP BAY 3,4&5 BAY 6&7 BAY 9	
DISTRIBUTION OF PRINTS		DISTRIBUTION OF PRINTS		DISTRIBUTION OF PRINTS		DISTRIBUTION OF PRINTS		DISTRIBUTION OF PRINTS		DISTRIBUTION OF PRINTS	
U		U		U		U		U		U	
HSTN 423898		HSTN 423898		HSTN 423898		HSTN 423898		HSTN 423898		HSTN 423898	
TRE REF. DRGS.		TRE REF. DRGS.		TRE REF. DRGS.		TRE REF. DRGS.		TRE REF. DRGS.		TRE REF. DRGS.	
W.D. 04947A03001		W.D. 04947A03001		W.D. 04947A03001		W.D. 04947A03001		W.D. 04947A03001		W.D. 04947A03001	
STAYS OF DRAWING		STAYS OF DRAWING		STAYS OF DRAWING		STAYS OF DRAWING		STAYS OF DRAWING		STAYS OF DRAWING	
NAME OF CUSTOMER/PROJECT		NAME OF CUSTOMER/PROJECT		NAME OF CUSTOMER/PROJECT		NAME OF CUSTOMER/PROJECT		NAME OF CUSTOMER/PROJECT		NAME OF CUSTOMER/PROJECT	
M/S : C.L.W.		M/S : C.L.W.		M/S : C.L.W.		M/S : C.L.W.		M/S : C.L.W.		M/S : C.L.W.	
TYPE OF PRODUCT		TYPE OF PRODUCT		TYPE OF PRODUCT		TYPE OF PRODUCT		TYPE OF PRODUCT		TYPE OF PRODUCT	
OR		OR		OR		OR		OR		OR	
6531 KVA FRT. LOCC. TRFR.		6531 KVA FRT. LOCC. TRFR.		6531 KVA FRT. LOCC. TRFR.		6531 KVA FRT. LOCC. TRFR.		6531 KVA FRT. LOCC. TRFR.		6531 KVA FRT. LOCC. TRFR.	
BHARAT HEAVY ELECTRICALS LTD.		BHARAT HEAVY ELECTRICALS LTD.		BHARAT HEAVY ELECTRICALS LTD.		BHARAT HEAVY ELECTRICALS LTD.		BHARAT HEAVY ELECTRICALS LTD.		BHARAT HEAVY ELECTRICALS LTD.	
JHANSI		JHANSI		JHANSI		JHANSI		JHANSI		JHANSI	
DGN RAMESH KUMAR		DGN RAMESH KUMAR		DGN RAMESH KUMAR		DGN RAMESH KUMAR		DGN RAMESH KUMAR		DGN RAMESH KUMAR	
CHD S.P.GUPTA		CHD S.P.GUPTA		CHD S.P.GUPTA		CHD S.P.GUPTA		CHD S.P.GUPTA		CHD S.P.GUPTA	
APPD R.K.MAHAPATRA		APPD R.K.MAHAPATRA		APPD R.K.MAHAPATRA		APPD R.K.MAHAPATRA		APPD R.K.MAHAPATRA		APPD R.K.MAHAPATRA	
SIGN		SIGN		SIGN		SIGN		SIGN		SIGN	
DATE 04.02.99		DATE 04.02.99		DATE 04.02.99		DATE 04.02.99		DATE 04.02.99		DATE 04.02.99	
DRN		DRN		DRN		DRN		DRN		DRN	
RAMESH KUMAR		RAMESH KUMAR		RAMESH KUMAR		RAMESH KUMAR		RAMESH KUMAR		RAMESH KUMAR	
S.P.GUPTA		S.P.GUPTA		S.P.GUPTA		S.P.GUPTA		S.P.GUPTA		S.P.GUPTA	
R.K.MAHAPATRA		R.K.MAHAPATRA		R.K.MAHAPATRA		R.K.MAHAPATRA		R.K.MAHAPATRA		R.K.MAHAPATRA	
REF TO ASSY DRG.		REF TO ASSY DRG.		REF TO ASSY DRG.		REF TO ASSY DRG.		REF TO ASSY DRG.		REF TO ASSY DRG.	
2466650013		2466650013		2466650013		2466650013		2466650013		2466650013	
DRG NO.		DRG NO.		DRG NO.		DRG NO.		DRG NO.		DRG NO.	
3466650008		3466650008		3466650008		3466650008		3466650008		3466650008	
TITLE		TITLE		TITLE		TITLE		TITLE		TITLE	
WHOLE UPPER WEDGING PLATE (L)		WHOLE UPPER WEDGING PLATE (L)		WHOLE UPPER WEDGING PLATE (L)		WHOLE UPPER WEDGING PLATE (L)		WHOLE UPPER WEDGING PLATE (L)		WHOLE UPPER WEDGING PLATE (L)	
SHEET NO. 01		SHEET NO. 01		SHEET NO. 01		SHEET NO. 01		SHEET NO. 01		SHEET NO. 01	
NO. OF SHEET 01		NO. OF SHEET 01		NO. OF SHEET 01		NO. OF SHEET 01		NO. OF SHEET 01		NO. OF SHEET 01	

VAR. NO.	ITEM NO.	DESCRIPTION	DRAWING NO.	VAR.	MATL. SPECN	QTY.
001	1	CALAGE PLATE	4466650065	1		000.137
003	2	FIXING WEDGE	4466650066	1		000.160
004	3	6 TK x 40 x 90 LG. PLATE PRE. COMP. P.B.D.			AA 22216	
					AA 2221716078	000.110
001	4	6ø x 100 LG. RDD FIBRE			PS 21143	
					XA 2110243010	000.004
001	5	FIXING WEDGE	4466650068	2		
001	6	FIXING WEDGE	4466650068	1		



Pin and glue (II, 4 : cut length as needed when assembling)