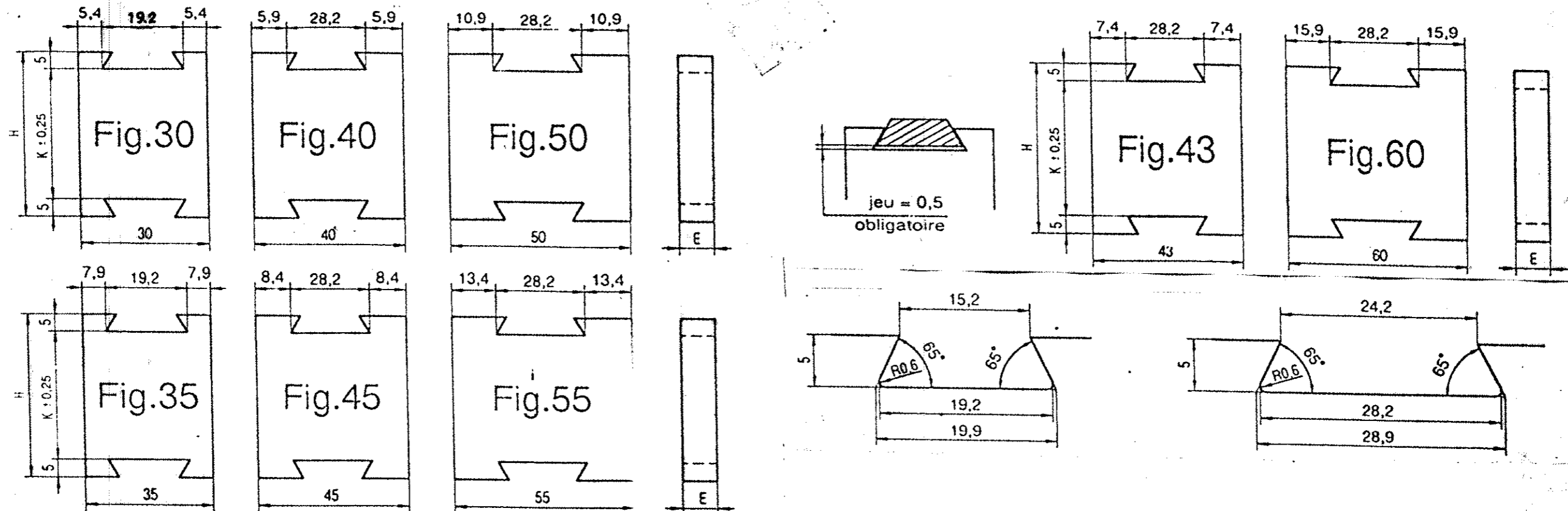


34665850017



ALL DIMENSIONS ARE IN mm

REF. DRG. NO.

SIGN. AND DATE

INVENTORY NO.

VAR.00	REMARKS	ITEM NO.	DESCRIPTION	DRAWING NO.	IT.ND.	MATL. CODE	UNIT WT.
					VAR.	MATL. SPECN	QTY.

TRE REF. DRGS.		ADDITIONAL INFORMATION		CARD TYPE -3		CARD TYPE -1		CARD TYPE -2	
HSTC 433348		W.O. 04947A03001		TYPE OF PRODUCT		6531 KVA FRT. LOCO. TRFR.			
		STATUS OF DRAWING		OR		NAME OF CUSTOMER/PROJECT		M/S : C.L.W.	
		DISTRIBUTION OF PRINTS		BPH		BHARAT HEAVY ELECTRICALS LTD.		DRN NAME SIGN DATE	
		TRE TRP BAY 3, 1 1 2		BAY 9 4		JHANSI		RAMESH KUMAR 30-09-98	
REV DATE ALTERED CHECKED		REV DATE ALTERED CHECKED		DEPT TRE		GRADE OF TOL. DIM. C/M/F		CHD S.P.GUPTA 7/10/98	
				CODE 406		SCALE		APPD Rmohapatra 16/10/98	
				TITLE		WEIGHT (KG)		REF. TO ASSY. DRG.	
				SPACERS				ITEM NO. NO. OF ITEM	
								DRG. NO. 34665850017 REV. 00	
								SHEET NO. NO. OF SHEET	