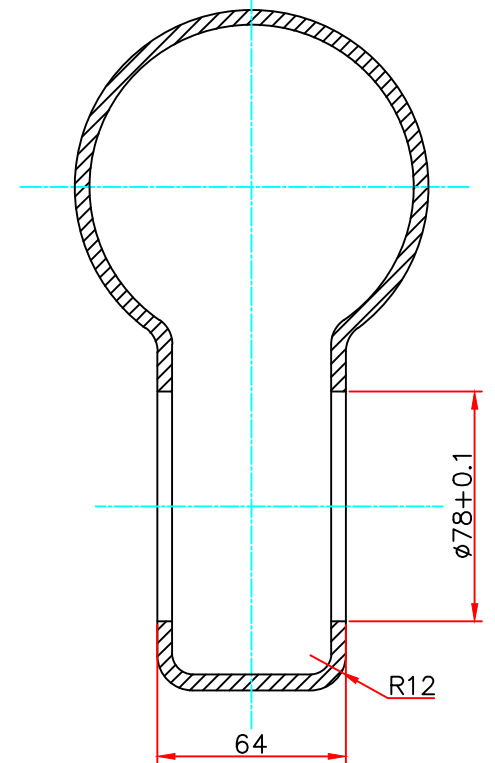
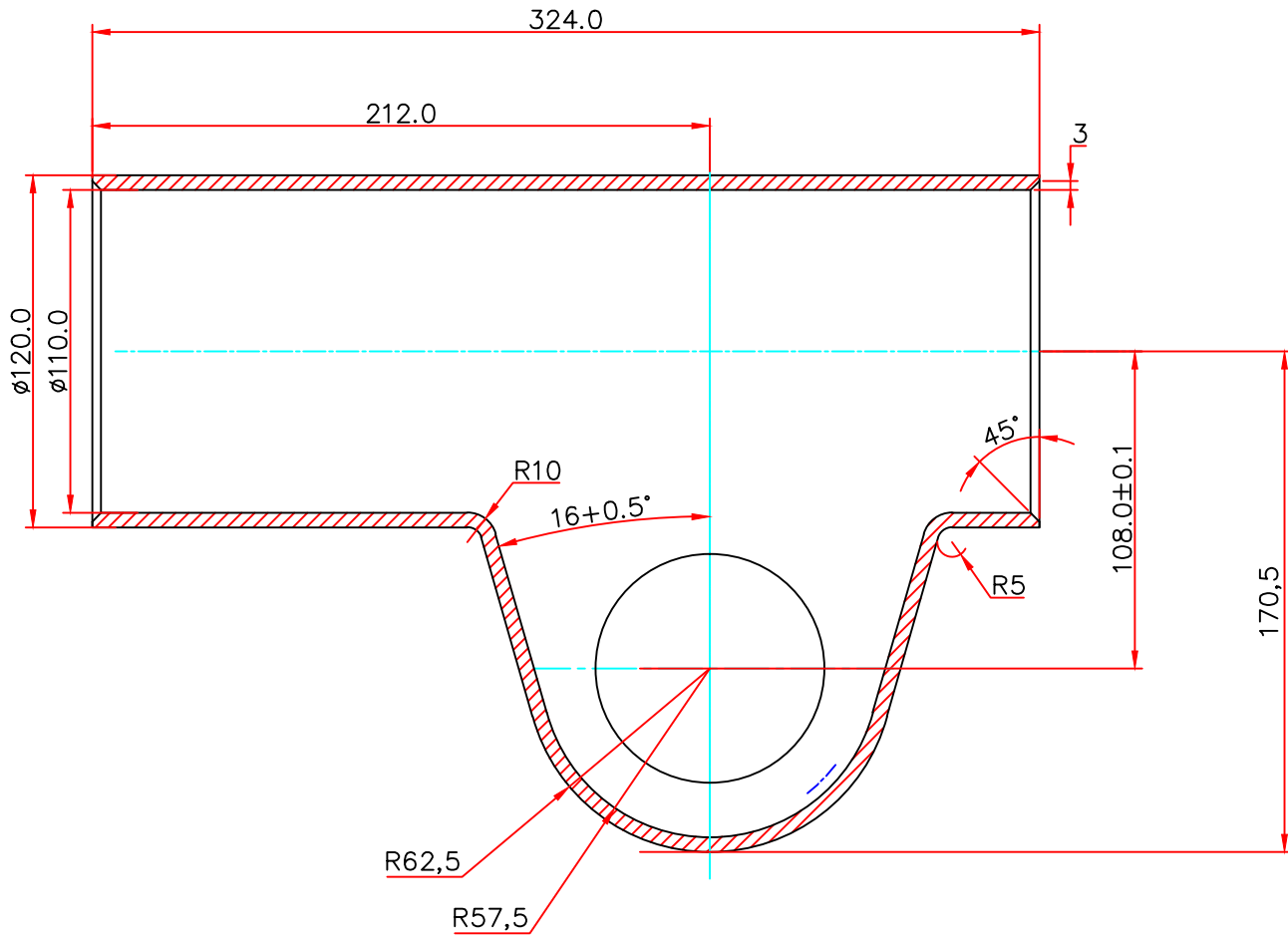


THE INFORMATION ON THIS DOCUMENT IS THE PROPERTY OF BHARAT HEAVY ELECTRICALS LIMITED. IT MUST NOT BE USED DIRECTLY OR INDIRECTLY IN ANY WAY DETRIMENTAL TO THE INTEREST OF THE COMPANY.



VAR.00	REMARKS	VAR. NO.	ITEM NO.	01	DRIVE PIPE	STD.	DRAWING NO.	SS-304L	A	C	UNIT	QTY.	01	CS	ZONE
--------	---------	----------	----------	----	------------	------	-------------	---------	---	---	------	------	----	----	------

TYPE OF PRODUCT: **GSM-245**

NAME OF CUSTOMER: **GSM-245**

BHARAT HEAVY ELECTRICALS LTD.
HYDERABAD

DRN	NAME	SIGN.	DATE	NO. OF VAR.
CKD	NSK		10.12.13	
APPD	MMRAO		10.12.13	01

DEPT.	GRADE OF TOL. DIM. C/M/F	SCALE	WEIGHT(KG)	REF. TO	ITEM NO.	NO. OF ITEMS
		NTS	59.5	RD DG 4 35 0517 2070	1	

TITLE: **DRIVE PIPE**

CARD CODE: **RD DG 4 35 0517 2071**

SHEET NO. **RD DG 4 35 0517 2071** NO. OF SHEETS

REV.	DATE	ALTERED	REV.	DATE	ALTERED
		CHECKED			CHECKED
ZONE			ZONE		

INVENTORY NO. SIGN. AND DATE REF. DRG. NO.