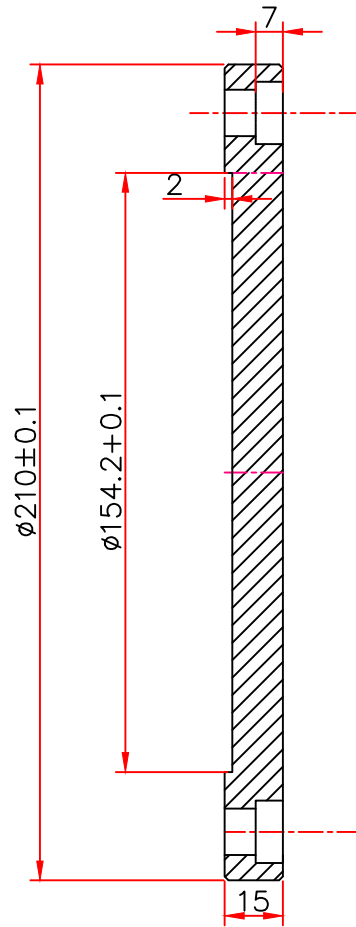
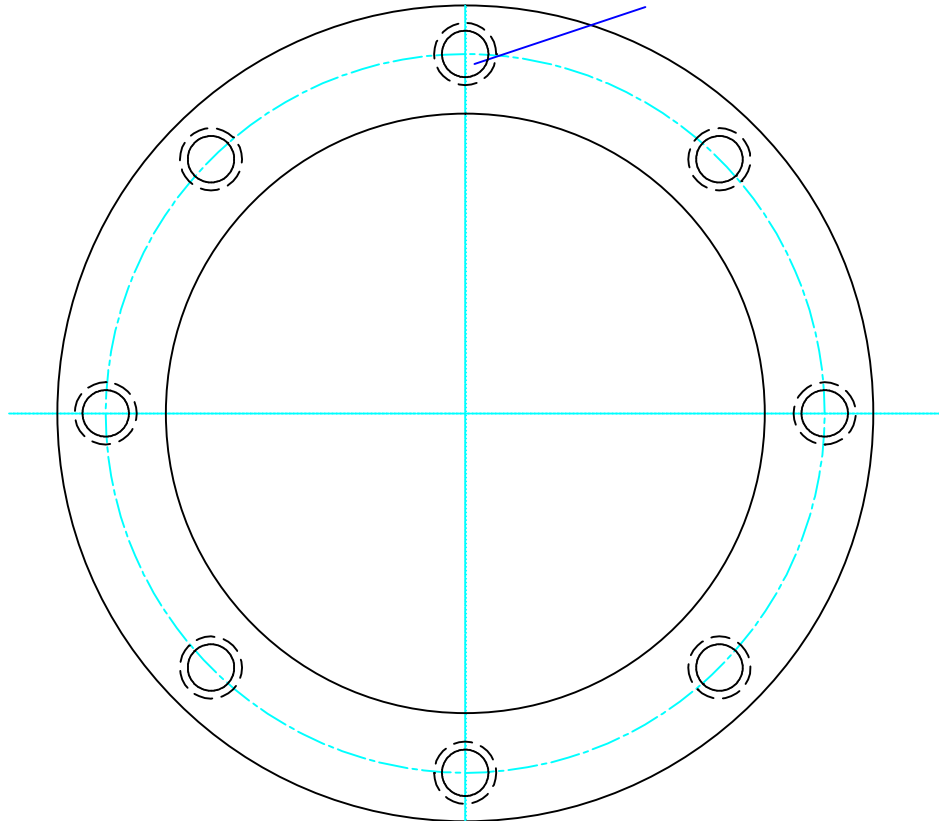


THE INFORMATION ON THIS DOCUMENT IS THE PROPERTY OF BHARAT HEAVY ELECTRICALS LIMITED. IT MUST NOT BE USED DIRECTLY OR INDIRECTLY IN ANY WAY DETRIMENTAL TO THE INTEREST OF THE COMPANY.



8 No., $\phi 11.2$ DIA CLEAR HOLES @ 185.0 ± 0.1 PCD



ALL SHARP EDGES SHALL BE MACHINED TO $0.4 \times 45^\circ$

VAR.00	REMARKS	VAR NO.	ITEM NO.	DESCRIPTION	STD	DRAWING NO.	IT.NO.	MATL. CODE	A	UNIT	UNIT WT.	GS	ZONE
			01	SHEET				SS-304L			01		
							VAR	MATL. SPECN.	C		QTY.		

TYPE OF PRODUCT		GSM-245											
NAME OF CUSTOMER		BHARAT HEAVY ELECTRICALS LTD. HYDERABAD											
DRN	NAME	SIGN.	DATE	NO. OF									
CKD	NSK		13.12.13	VAR.									
APPD	BSM		13.12.13										
	MMRAO		13.12.13	01									
DEPT.	GRADE OF TOL. DIM. C/M/F	SCALE	WEIGHT(KG)	REF. TO	ITEM NO.	NO. OF							
CODE				RD DG 4 35 0517 2070	1	ITEMS							
TITLE				DRAWING NO.		REV.							
GAS VALVE COVER				RD DG 4 35 0517 2073									
CARD CODE				SHEET NO.		NO. OF SHEETS							

REV.	DATE	ALTERED	REV.	DATE	ALTERED
		CHECKED			CHECKED
ZONE			ZONE		

INVENTORY NO. SIGN. AND DATE REF. DRG. NO.