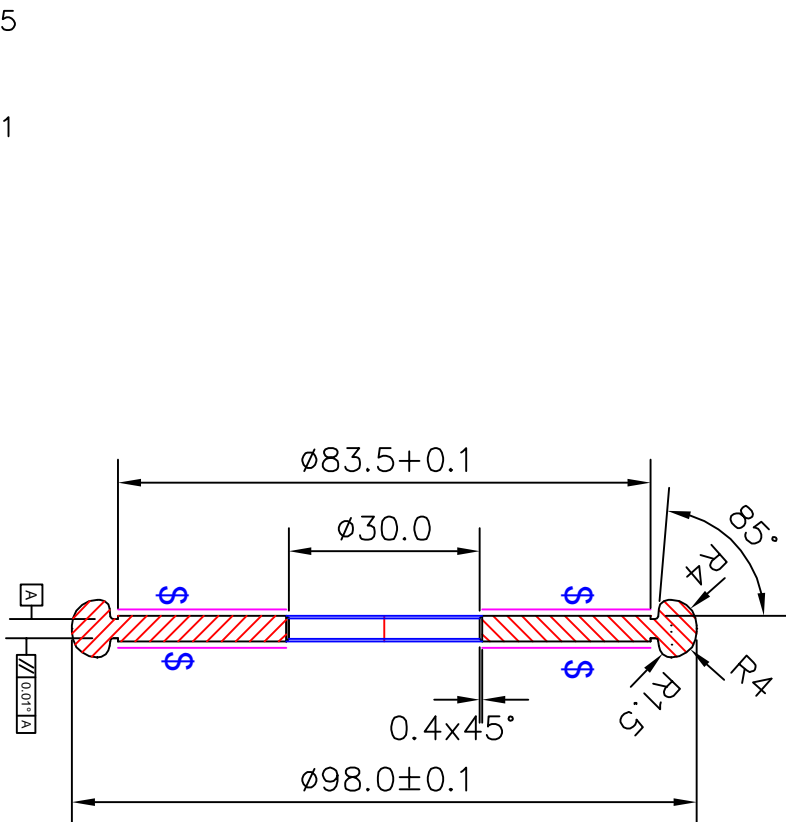
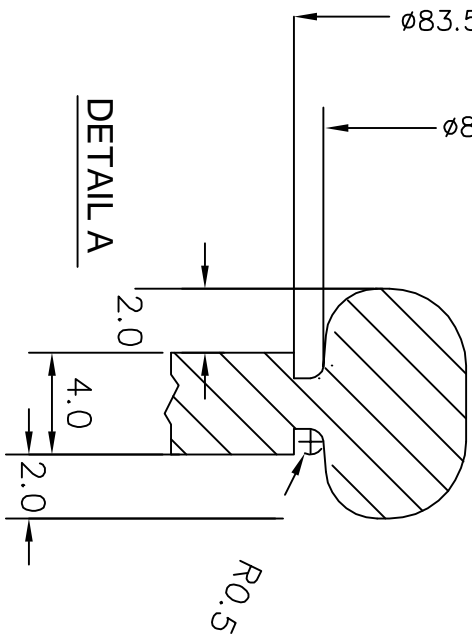


THE INFORMATION ON THIS DOCUMENT IS THE PROPERTY OF BHARAT HEAVY ELECTRICALS LIMITED.  
 IT MUST NOT BE USED DIRECTLY OR INDIRECTLY IN ANY WAY DETRIMENTAL TO THE INTEREST OF THE COMPANY.

INVENTORY NO.	SIGN. AND DATE	REF. DRG. NO.
---------------	----------------	---------------

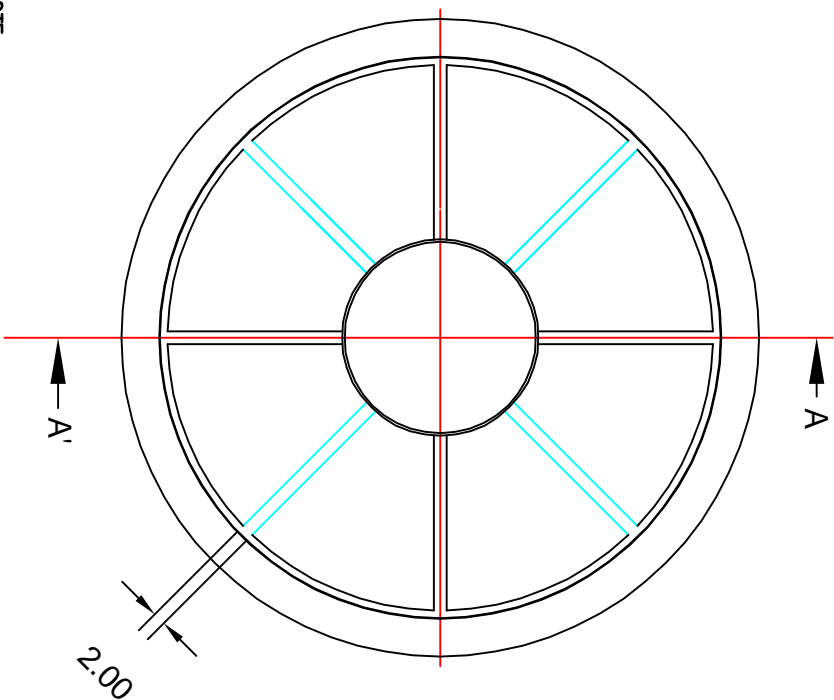


SECTION A-A'



NOTE:-

- TOTAL 8 GROOVES DEPTH OF 0.8MM, 4 ON EITHER SIDE AT 45° DIFFERENCE IN POSITION.
- SILVER PLATING SHALL BE DONE ON '\$' MARK FACES.



(~3.2)

VAR. NO.	REMARKS	VAR. NO.	ITEM NO.	01	CONTACT PLATE	$\phi 100.0 \times 8.0$	HE-30	AL ALLOY	100

TYPE OF PRODUCT  
 NAME OF CUSTOMER  
**CGSM-145**

**BHARAT HEAVY ELECTRICALS LTD.**  
 HYDERABAD

DRN	NAME	SIGN.	DATE	NO. OF
09.07.12	KS RAO		09.07.12	VAR.
APPD	MM RAO		09.07.12	1

REV.	NO.	DATE	BY	CHKD	ITEM	NO. OF
2	6				1	1

REV.	DATE	ALTERED	REV.	DATE	ALTERED
		CHECKED			CHECKED
ZONE			ZONE		
DEPT: GSE TOL. DIM. C/M/F CODE 35 TITLE: CONTACT PLATE SCALE: NTS WEIGHT(KG): CARD CODE: RD DG 4 35 1133 6100 SHEET NO.: RD DG 4 35 1133 6130 NO. OF SHEETS: 2 REV.: 01					