

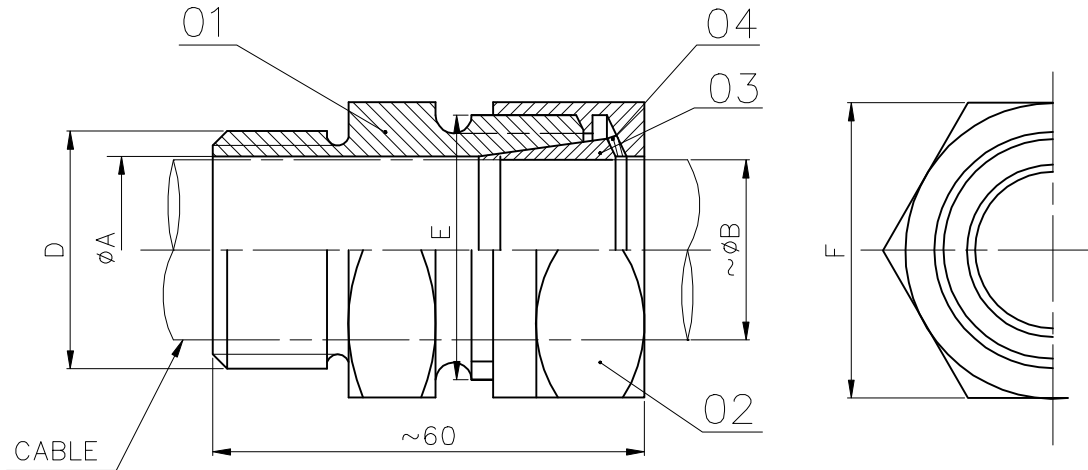
ALL DIMENSIONS ARE IN MILLIMETRES.

FOR TOLERANCES OF UNTOLERANCED DIMENSIONS DURING MANUFACTURE REFER RELEVANT QCP/QP

CAUTION: The information on this document is the property of BHARAT HEAVY ELECTRICALS LTD. It must not be used directly or indirectly in any way detrimental to the interest of the company.

REV	DATE	ALTERED	J.S
05	04.08.11	CHD & APPD	R.S. & K.S
VARIANT No. 03 CODE 96353115 REMOVED. DRAWING CONVERTED AS CAD.			
DCN:SB: 801133 / 5012916			

VARIANT No.	∅A	∅B	CABLE SIZE	'D'	'E'	'F'	MATERIAL CODE
01	25	24.5	12CORE 2.5mm <sup>2</sup>	M33X2	M36X3	41	963532220000
02	20	~ 18.6	3CORE 6mm <sup>2</sup>	M33X2	M36X3	41	963532230000



NOTE:—

FERRULE ID (∅B) SHOULD BE SUITABLE FOR THE CABLE SIZE.

04	SEAL PLATE	M.S.GALVANISED	0.01	1
03	FERRULE	NITRILE MOULDED RUBBER	0.01	1
02	ADAPTER	M.S.GALVANISED	0.01	1
01	CONNECTOR	M.S.GALVANISED	0.02	1
ITEM	DESCRIPTION	MATERIAL	WEIGHT ( kg )	QTY (Nos)

NO OFF	DESCRIPTION	MATL CODE	MATL SPECN	HEAT TREATMENT	SCRAP SORT	NET WT (kg)	GROSS WT (kg)	DRAWING No	ITEM No
		<b>BHARAT HEAVY ELECTRICALS LTD.,</b> UNIT: HIGH PRESSURE BOILER PLANT. TIRUCHIRAPALLI 620014.			DRN	NAME	SIGN	DATE	NO.OF VAR
365-127					CHD	J.SANKAR	J.S	04.08.11	
					APPD	RAVINDER SINGH	R.S.	04.08.11	
DEPT SB		SCALE		WEIGHT (KG).		REFERENCE INFORMATIONS			NO. OF ITEMS
CODE 330		NTS		--					
TITLE					CARD CODE	DRAWING NO.			REV
CABLE GLAND					U 01	4-20-001-00781			05