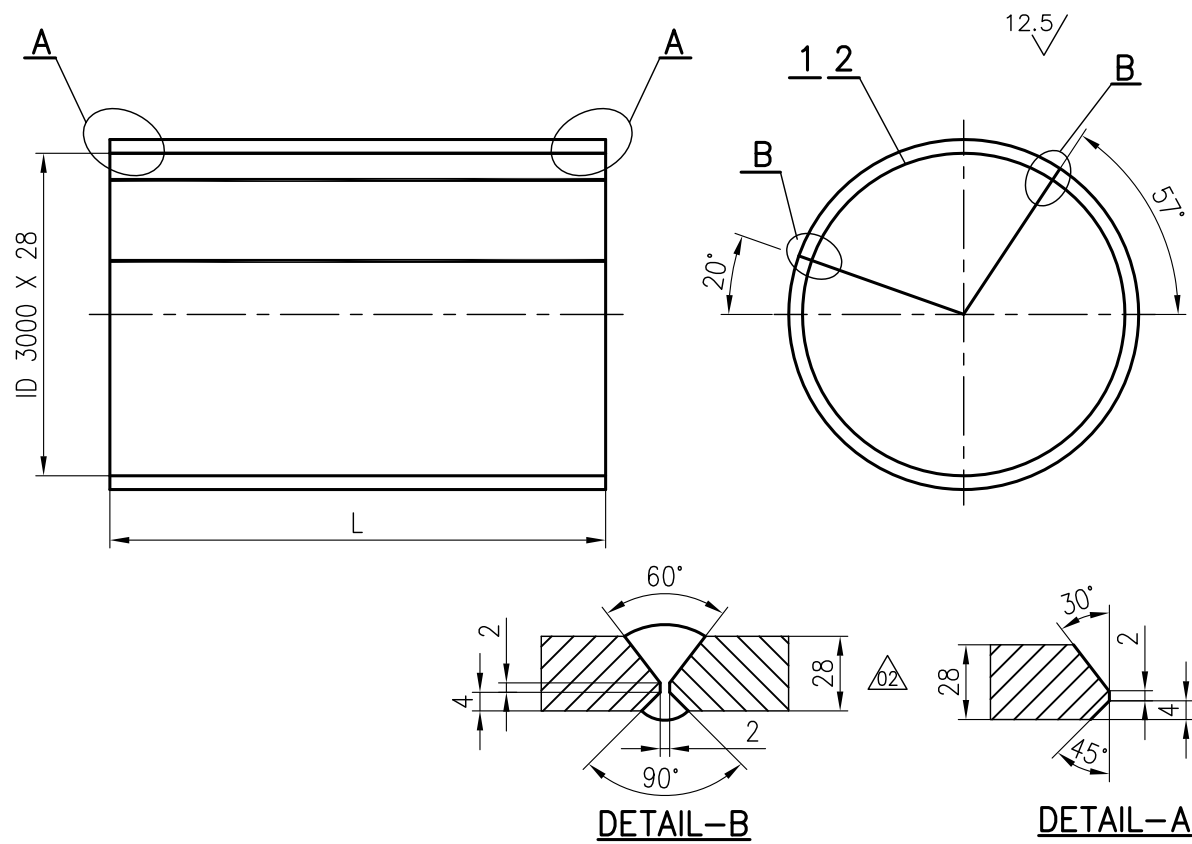


FIRST ANGLE PROJECTION

(ALL DIMENSIONS ARE IN mm)

INVENTORY NO. SIGN. AND DATE REF. DRG. NO. THE INFORMATION ON THIS DOCUMENT IS THE PROPERTY OF BHARAT HEAVY ELECTRICALS LIMITED. IT MUST NOT BE USED DIRECTLY OR INDIRECTLY IN ANY WAY DETRIMENTAL TO THE INTEREST OF THE COMPANY

REV.	DATE	ALT.	CHECK.	APPD.	REV.	DATE	ALT.	CHECK.	APPD.	ADDITIONAL INFORMATION
01	13.04.15	Uma			02	01.06.15	Uma			STATUS OF DRAWING
REVISED IN-LINE WITH IBR. REQUIREMENTS.					THICKNESS CORRECTED IN DET-A & B.					DISTRIBUTION OF PRINTS



VARIANT TABLE

VAR NO.	L	REMARKS
01	2490	POS. NO. 1
02	1430	POS. NO. 2

NOTE: -

1. WPS SHALL BE AS PER J-005/A OF WELD DETAIL DRG. NO. 2-163-10-00014.
2. DEVELOPED LENGTH= 9513

TEST COUPON REQUIRED FOR LONGITUDINAL SEAMS OF SHELL.

ITEM NO.	DESCRIPTION	DRAWING NO.	MATL. CODE	UNIT Wt.
			MATL. SPEN.	QTY.
		DRN.	B UMA	SIGN.
		CHD.	UMESH MENON	
		APPD.	TSN BHARGAV	
DEPT. HED	GRADE OF TOL. DIM. C/M/F	SCALE	WEIGHT (KG)	REF. TO ASSY DRG.
CODE 405				ITEM NO.
TITLE			CARD CODE	NO. OF ITEMS
SHELL SEGMENT			DRAWING NO.	REV.
4-163-16-13234			02	
SHEET NO.			NO. OF SHEETS	