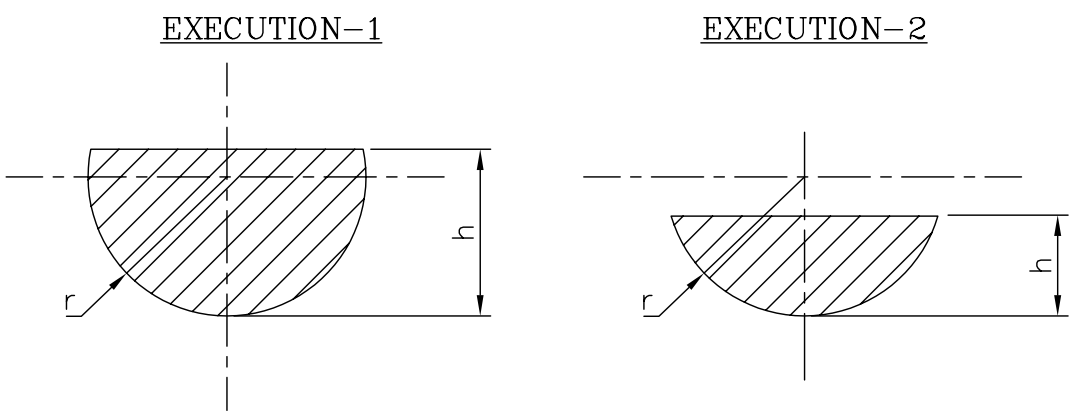


THE INFORMATION ON THIS DOCUMENT IS THE PROPERTY OF BHARAT HEAVY ELECTRICALS LIMITED. IT MUST NOT BE USED DIRECTLY OR INDIRECTLY IN ANY WAY DETRIMENTAL TO THE INTEREST OF THE COMPANY

GEN. DIM. LIMITS, FITS, & TOLERANCES AS PER P.S. :- HY0230261

REV. 00	DATE 06.01.06	ALTERED TSP / CHECKED CNVR/	REV. 01	DATE 02.01.13	ALTERED TSP CHECKED DSR	REV.	DATE	ALTERED CHECKED
DRG. MADE ON CAD EXECUTION-2 ADDED VAR 04,05&06 ADDED			NOTES 1 ADDED					



NOTES:
1. PROFILE INSPECTION: One sample from each Lot (per melt / heat treatment batch per size) shall be subjected for dimensional inspection by using shadowgraph as per variant table and results shall be mentioned in the test certificate.

EXECUTION	MATERIAL CODE	Wt/Kg	r	h	r x h	VAR
2	HY1214176070	0.497	-0.1	+0.1	12 x 4.5	-06
	HY1214176062	0.313			10 x 3.5	-05
	HY1214176054	0.145	-0.1	+0.06	6 x 2.5	-04
1	HY1214176046	0.35	-0.1	+0.1	5 x 5.5	-03
	HY1214176038	0.25			4 x 4.5	-02
	HY1214176020	0.15			3 x 3.5	-01
	HY1214176011	0.07	-0.06	+0.06	2 x 2.5	-00

REF. DRG. NO. MUN 501.7/1

REMARKS	ITEM NO	DESCRIPTION	STD	MATL. CODE	A/C	UNIT	UNIT Wt.
				HY12176			
				MATL. SPEN.			QTY.



BHARAT HEAVY ELECTRICALS LTD. HYDERABAD	DRN.	T.S.PRABHAKAR	SIGN.	DATE	NO.OF VAR.
	CHD.	T.S.PRABHAKAR	RESTRICTED USE	06.01.2006	-N.A-
	APPD.	CNV. RAMANA		06.01.2006	

DEPT. I.T.D	UNTOL. DIM. GR.	SCALE	WEIGHT (KG)	REF. TO ASSY DRG.	ITEM NO.	NO.OF ITEMS
DEPT. CODE 415	ε/M/F	NTS	-NA-	-N.A-	-N.A-	-N.A-

TITLE	DRAWING NO.	REV.
BRASS HALF ROUND r x h	4-303-15-00144	01
CARD CODE	SHT No.	NO OF SHT.
-NA-	01	01