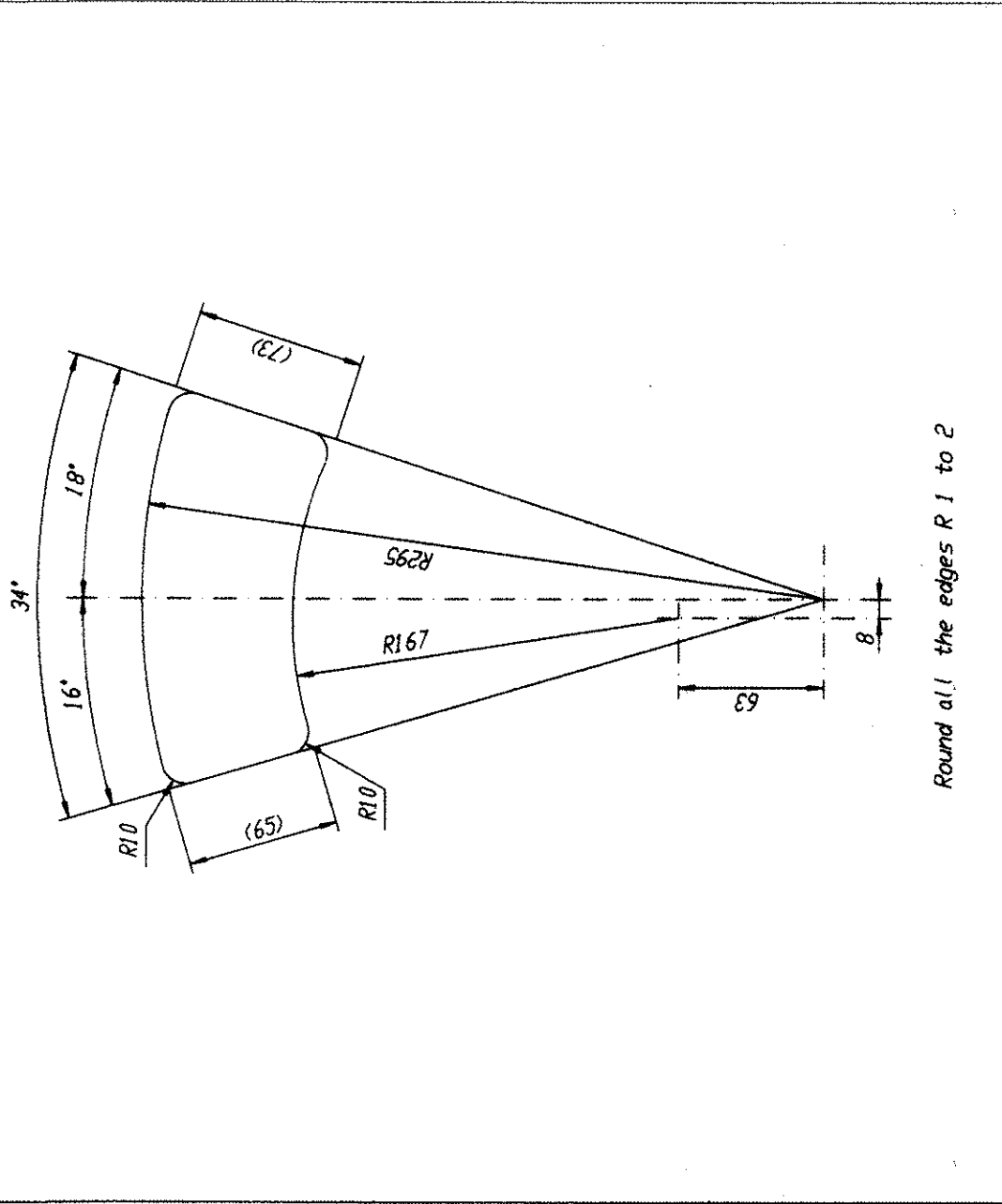


THE INFORMATION ON THIS DOCUMENT IS THE PROPERTY OF BHARAT HEAVY ELECTRICALS LIMITED. IT MUST NOT BE USED DIRECTLY OR INDIRECTLY IN ANY WAY DETRIMENTAL TO THE INTEREST OF THE COMPANY.

REV	DATE	ALTERED	CHECKED	APPROVED	REV	DATE	ALTERED	CHECKED	APPROVED	ADDITIONAL INFORMATION	04947A03001
										STATUS OF DRAWING	U
DISTRIBUTION D/C-1, TRP-1, BAY 7-2, BAY 9-4											
OF PRINTS BAY 7-2, BAY 9-4											



001	TO DETAIL	001	PACKING PRE.COMP.P'BD. 8 TK x 80 x 168 LG.	AA 2111708089	000.265
QTY.	REMARKS	ITEM NO.	DESCRIPTION	MATL. CODE	UNIT WT.
					QTY.

		BHARAT HEAVY ELECTRICALS LTD. JHANSI		DRN.	RAMESH KUMAR	DATE	07.10.98	NO. OF VAR.	
DEPT. CODE TRE 406		UNTO. DIMS. GR.		CKD.	S.P.GUPTA	APPD.	16/10/98	ITEM NO.	NO. OF ITEM
SCALE NTS		WEIGHT (KG) 0.265		REF. TO ASSY. DRG.		REF. TO ASSY. DRG.		ITEM NO. OF ITEM	
TITLE WINDING FILLING		DRAWING NO. 44665850042 00		REV.		SHT. NO. 10		NO. OF SHT. 15	

INVENTORY NO. HSTN 424349J
 TRE REF. DRG.

FRT40084.DWG

REF. DRG. NO.

SIGN & DATE