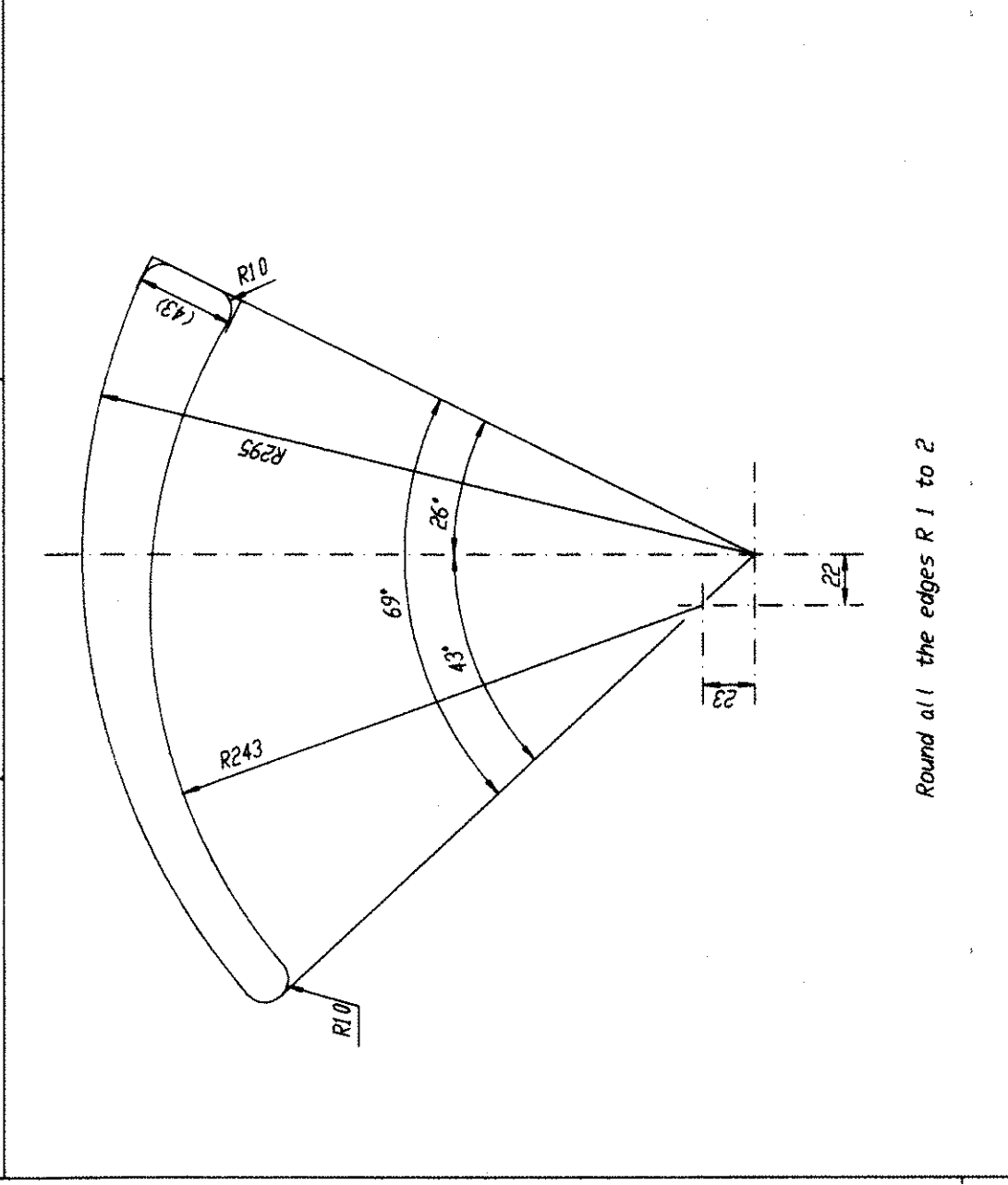


THE INFORMATION ON THIS DOCUMENT IS THE PROPERTY OF BHARAT HEAVY ELECTRICALS LIMITED. IT MUST NOT BE USED DIRECTLY OR INDIRECTLY IN ANY WAY DETRIMENTAL TO THE INTEREST OF THE COMPANY.

REV	DATE	ALTERED CHECKED	APPROVED	REV	DATE	ALTERED CHECKED	APPROVED	ADDITIONAL INFORMATION	04947A03001
								STATUS OF DRAWING	U
								DISTRIBUTION	D/C-1, TRP-1, BAY 627-2, BAY 9-4



Round all the edges R 1 to 2

001	TO DETAIL	001	PACKING PRE.COMP.P/BD. 8 TK x 90 x 324 LG.	AA 2111708089	000.100
QTY.	REMARKS	ITEM NO.	DESCRIPTION	MATL. CODE	UNIT WT.
				A	C
				MATL. SPECN.	QTY.

HSTN 424349L		BHARAT HEAVY ELECTRICALS LTD.		DRN.	RAMESH KUMAR	NAME	SIGN	DATE	IND. OF VAR.
DEPT. CODE	406	UNTEL. DIMS. GR.	JHANSI	CKD.	S.P.GUPTA	9.10.95		07.10.98	
TRE REF. DRG.		SCALE		APPD.	Ramesh Kumar			16/16/97	
INVENTORY NO.		UNTS	0.100	REF. TO ASSY. DRG.				ITEM NO.	IND. OF ITEM
REF. DRG. NO.	FRT40086.DWG	TITLE	WINDING FILLING	DRAWING NO.	4466585004200				REV.
SIGN & DATE				SHT.NO.	12	NO.OF SHT.	15		