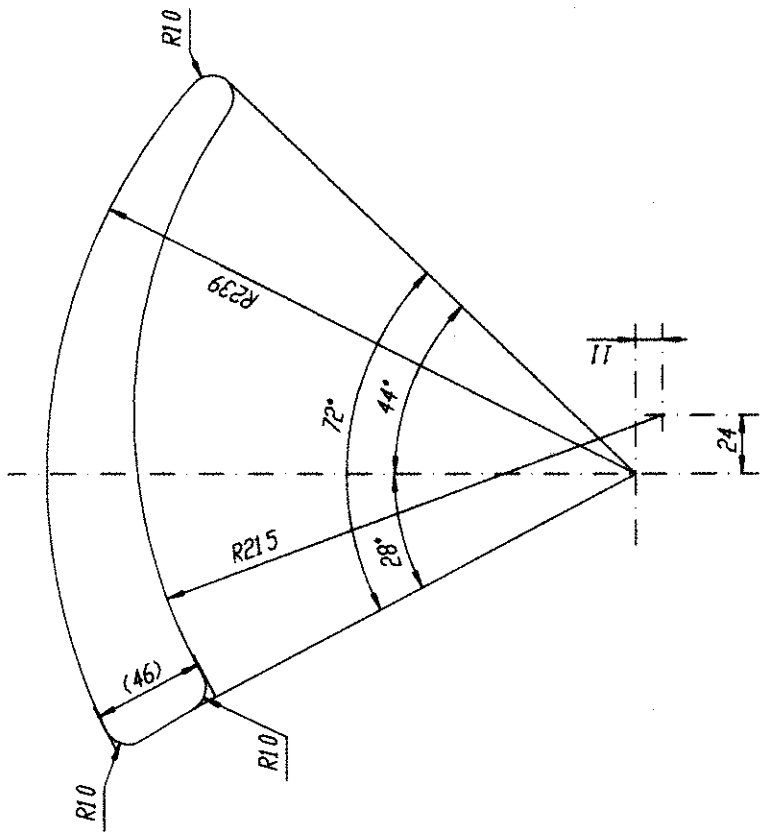


THE INFORMATION ON THIS DOCUMENT IS THE PROPERTY OF BHARAT HEAVY ELECTRICALS LIMITED. IT MUST NOT BE USED DIRECTLY OR INDIRECTLY IN ANY WAY DETRIMENTAL TO THE INTEREST OF THE COMPANY.

REV	DATE	ALTERED CHECKED APPROVED	REV	DATE	ALTERED CHECKED APPROVED	ADDITIONAL INFORMATION	04947A03001
						STATUS OF DRAWING	U
						DISTRIBUTION	D/C-1, TRP-1, BAY 6&7-2, BAY 9-4



Round all the edges R 1 to 2

001	TO DETAIL	001	PACKING PRE.COMP.P.BD. 8 TK x 76 x 270 LG.	AA 2111708089	000.093
	REMARKS	ITEM NO.	DESCRIPTION	MATL. CODE	UNIT WT.
				MATL. SPECN.	QTY.
				A UNIT	
				C	

REV. REF. DRG.		HSTN 424349M		INVENTORY NO.	
SIGN & DATE		FRT40087.DWG		REF. DRG. NO.	
DEPT. CODE		406		TITLE	
UNTEL. DIMS. GR.		SCALE		WEIGHT (KG)	
		NTS		0.093	
BHARAT HEAVY ELECTRICALS LTD.		DRN.		NAME	
JHANSI		RAMESH KUMAR		SIGN	
APPD.		S.P.GUPTA		DATE	
16/10/98		9/10/98		NO. OF VAR.	
REF. TO ASSY. DRG.		APPD.		NO. OF ITEM	
0.093		16/10/98		REV.	
WINDING FILLING		DRAWING NO.		REV.	
4466585004200		4466585004200		NO. OF SHT.	
SHT. NO. 13		NO. OF SHT.		15	