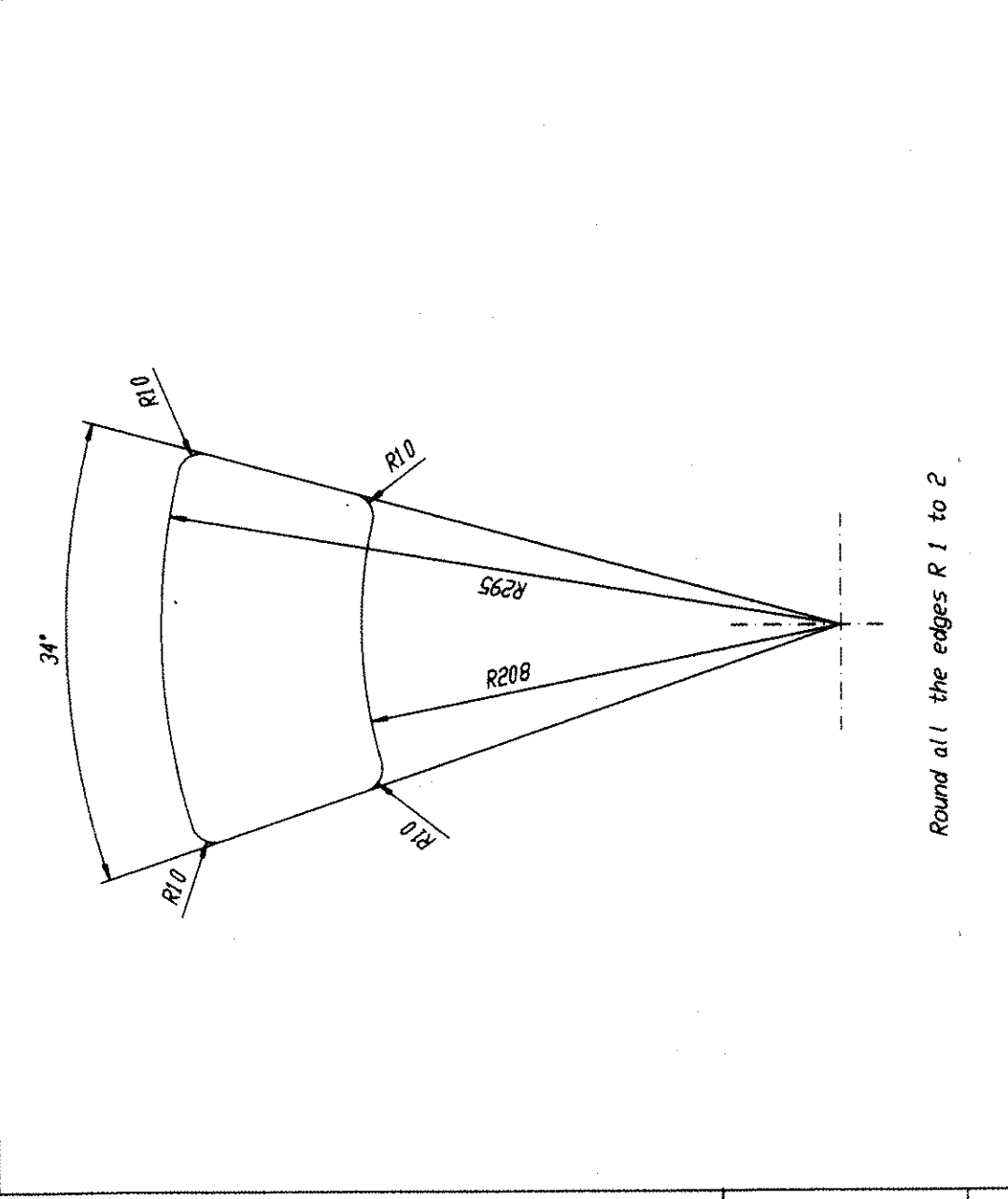


REV DATE	ALTERED	REV DATE	ALTERED	ADDITIONAL INFORMATION
	CHECKED		CHECKED	04947A03001
	APPROVED		APPROVED	
			STATUS OF DRAWING	U
			DISTRIBUTION OF PRINTS	D/C-1, TRP-1, BAY 6&7-2, BAY 9-4



Round all the edges R 1 to 2

001	TO DETAIL	001	PACKING PRE.COMP.P/BD. 8 TK x 92 x 168 LG.	AA 2111708089	000.132
	REMARKS	ITEM NO.	DESCRIPTION	MATL. CODE	UNIT WT.
QTY.				MATL. SPECN.	QTY.
				A UNIT	
				C	

		BHARAT HEAVY ELECTRICALS LTD. JHANSI		DRN. RAMESH KUMAR CKD. S.P.GUPTA APPD. <i>P. S. Gupta</i>	NAME SIGN	DATE 07.10.98 9.10.98 16/10/98	NO. OF VAR. 001
DEPT. CODE 406	UNTO. DIMS. GR. SCALE NTS	WEIGHT (KG) 0.132	REF. TO ASSY. DRG.	ITEM NO. OF ITEM	REV.	DRAWING NO. 44665850042 00	
HSTN 424349B TRE REF. DRG.				INVENTORY NO.		SHT. NO. 02	NO. OF SHT. 15
TITLE WINDING PACKING							

THE INFORMATION ON THIS DOCUMENT IS THE PROPERTY OF BHARAT HEAVY ELECTRICALS LIMITED. IT MUST NOT BE USED DIRECTLY OR INDIRECTLY IN ANY WAY DETRIMENTAL TO THE INTEREST OF THE COMPANY.

FRT40076.DWG
REF. DRG. NO.

SIGN & DATE

INVENTORY NO.