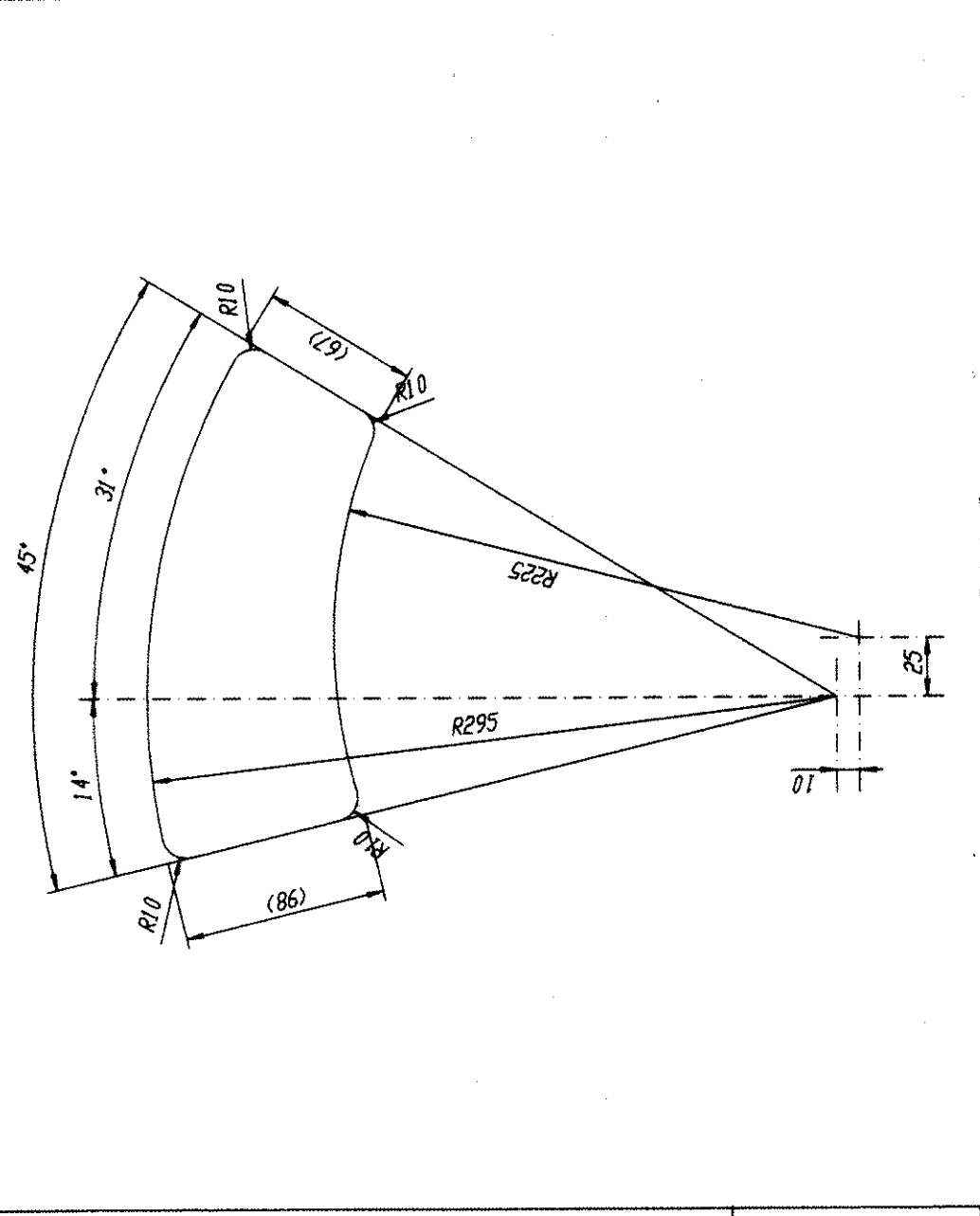


REV DATE	ALTERED CHECKED APPROVED	REV DATE	ALTERED CHECKED APPROVED	ADDITIONAL INFORMATION 04947A03001
				STATUS OF DRAWING U
				DISTRIBUTION OF PRINTS Q/C-1, TRP-1, BAY 647-2, BAY 9-4



Round all the edges R 1 to 2

001	TO DETAIL	001	PACKING PRECOMP.P'BD. 8 TK x 98 x 217 LG.	AA 2111708089 AA 21108	000.157 001	UNIT WT. QTY.
QTY.	REMARKS	ITEM NO.	DESCRIPTION	MATL. CODE MATL. SPECN.	A UNIT C	

HSTN 424349C		TRE REF. DRG.		SIGN & DATE		INVENTORY NO.	
		BHARAT HEAVY ELECTRICALS LTD. JHANSI		DRN. RAMESH KUMAR CKD. S.P.GUPTA APPD. <i>Ramesh Kumar</i>		DATE 07.10.98 9.10.98 16/10/98	
DEPT. CODE 406		UNTL. DIMS. GR.		WEIGHT (KG) REF. TO ASSY. DRG.		ITEM NO. NO. OF ITEM	
TITLE		SCALE NTS		0.157		REV.	
WINDING PACKING				DRAWING NO.		44665850042 00	
				SHT. NO. 03		NO. OF SHT. 15	

THE INFORMATION ON THIS DOCUMENT IS THE PROPERTY OF BHARAT HEAVY ELECTRICALS LIMITED. IT MUST NOT BE USED DIRECTLY OR INDIRECTLY IN ANY WAY DETRIMENTAL TO THE INTEREST OF THE COMPANY.

FRT40077.DWG
REF. DRG. NO.