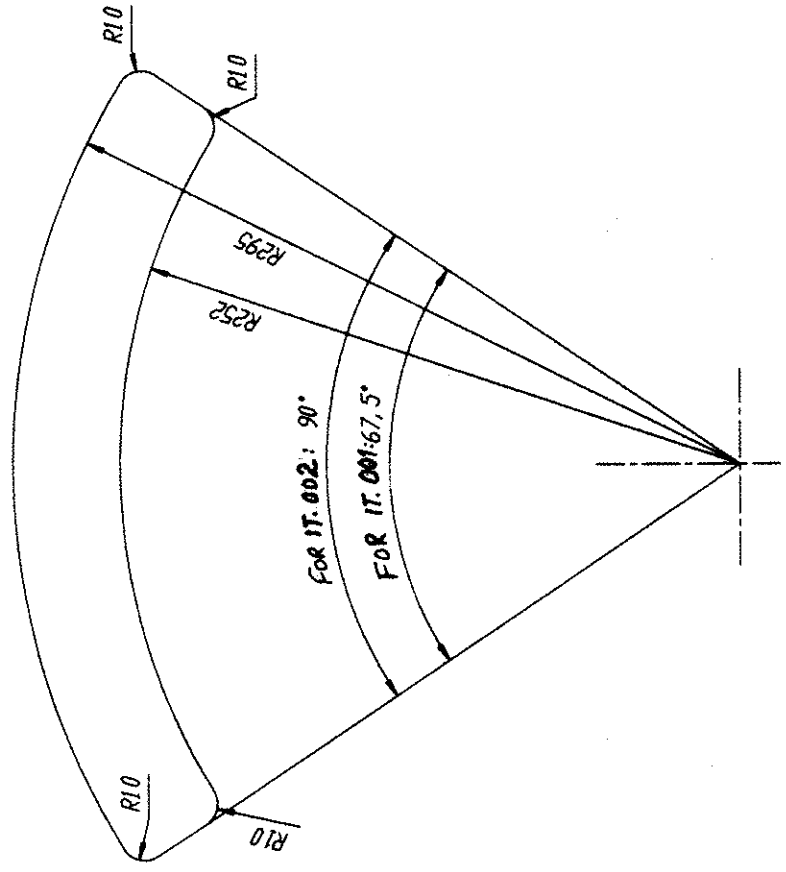


REV DATE	ALTERED	DATE	ALTERED	ADDITIONAL INFORMATION
	CHECKED		CHECKED	04947A03001
	APPROVED		APPROVED	STATUS OF DRAWING
				U
DISTRIBUTION				D/C-L TRP-1
OF PRINTS				BAY 647-2, BAY 9-4

THE INFORMATION ON THIS DOCUMENT IS THE PROPERTY OF BHARAT HEAVY ELECTRICALS LIMITED. IT MUST NOT BE USED DIRECTLY OR INDIRECTLY IN ANY WAY DETRIMENTAL TO THE INTEREST OF THE COMPANY.



Round all the edges R 1 to 2

001	TO DETAIL	002	PACKING PRE.COMP.P'BD. 8 TK x 113 x 408 LG.	AA 2111708089 AA 21108	000.188 001
001	TO DETAIL	001	PACKING PRE.COMP.P'BD. 8 TK x 82 x 320 LG.	AA 2111708089 AA 21108	000.141 001
QTY.	REMARKS	ITEM NO.	DESCRIPTION	MATL. CODE	UNIT WT.
				A C	QTY.

REF. DRG. NO.		SIGN & DATE		INVENTORY NO.	
FRT40082.DWG				HSTN 424349H	
DEPT. CODE		UNTO. DIMS. GR.		SCALE	
406				NTS	
TITLE		WEIGHT (KG)		REF. TO ASSY. DRG.	
WINDING FILLING		0.329		ITEM NO. OF ITEM	
DRAWING NO.		NO. OF SHT.		REV.	
44665850042 00		08		15	



BHARAT HEAVY ELECTRICALS LTD.  
JHANSI

DRN.	NAME	SIGN	DATE	NO. OF VAR.
	RAMESH KUMAR		07.10.98	
CKD.	S.P.GUPTA		9.10.98	
APPD.	P. Mohapatra		16/10/99	