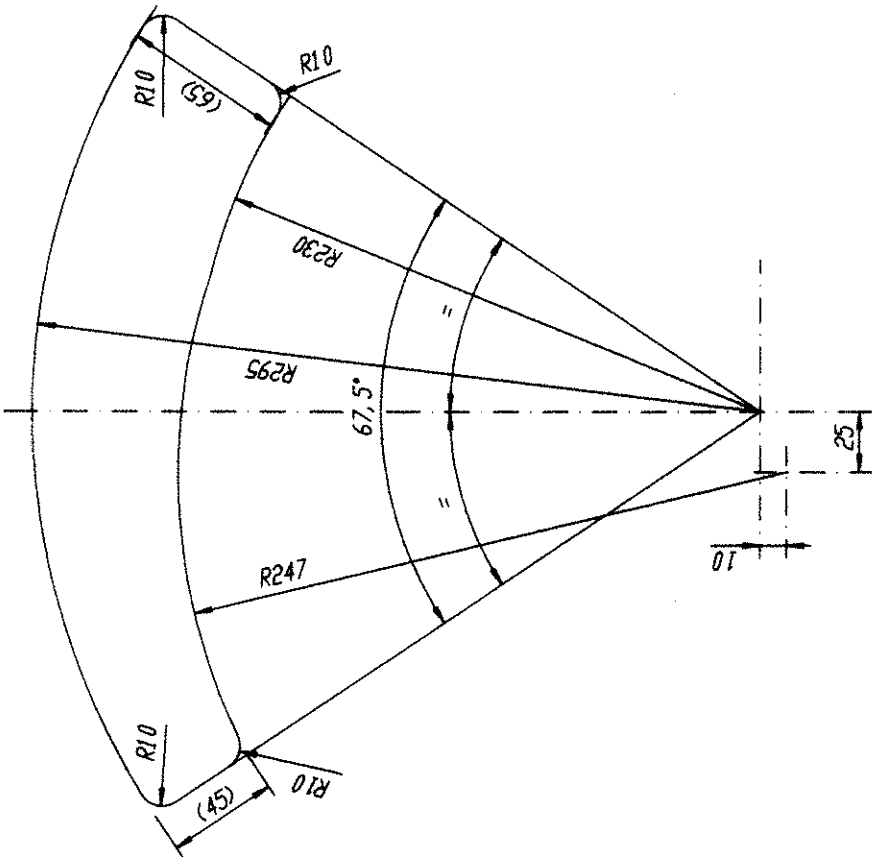


REV	DATE	ALTERED CHECKED	REV	DATE	ALTERED CHECKED	ADDITIONAL INFORMATION
		APPROVED			APPROVED	04947A03001
STATUS OF DRAWING			U			
DISTRIBUTION			D/C-1, TRP-1, BAY 607-2, BAY 9-4			

THE INFORMATION ON THIS DOCUMENT IS THE PROPERTY OF BHARAT HEAVY ELECTRICALS LIMITED. IT MUST NOT BE USED DIRECTLY OR INDIRECTLY IN ANY WAY DETRIMENTAL TO THE INTEREST OF THE COMPANY.



Round all the edges R 1 to 2

FR140083.DWG	REF. DRG. NO.	SIGN & DATE	INVENTORY NO.
001	TO DETAIL 001	PACKING PRE.COMP./BD. 8 TK x 100 x 320 LG.	000.185
	REMARKS	DESCRIPTION	001
QTY.	ITEM NO.	MATL. CODE	UNIT WT.
		MATL. SPECN.	QTY.

BHARAT HEAVY ELECTRICALS LTD.		DRN.	RAMESH KUMAR	NAME	SIGN	DATE	NO. OF VAR.
JHANSI		CKD.	S.P.GUPTA	[Signature]		07.10.98	
DEPT. CODE		APPD.	R. Mohapatra	[Signature]		16/10/98	
UNTOL. DIMS. GR.	SCALE	WEIGHT (KG)	REF. TO ASSY. DRG.	ITEM NO.		NO. OF ITEM	
	NTS	0.185					
TITLE		DRAWING NO.		REV.			
WINDING FILLING		44665850042		00			
HSTN 4243491		SHT. NO. 09		NO. OF SHT. 15			