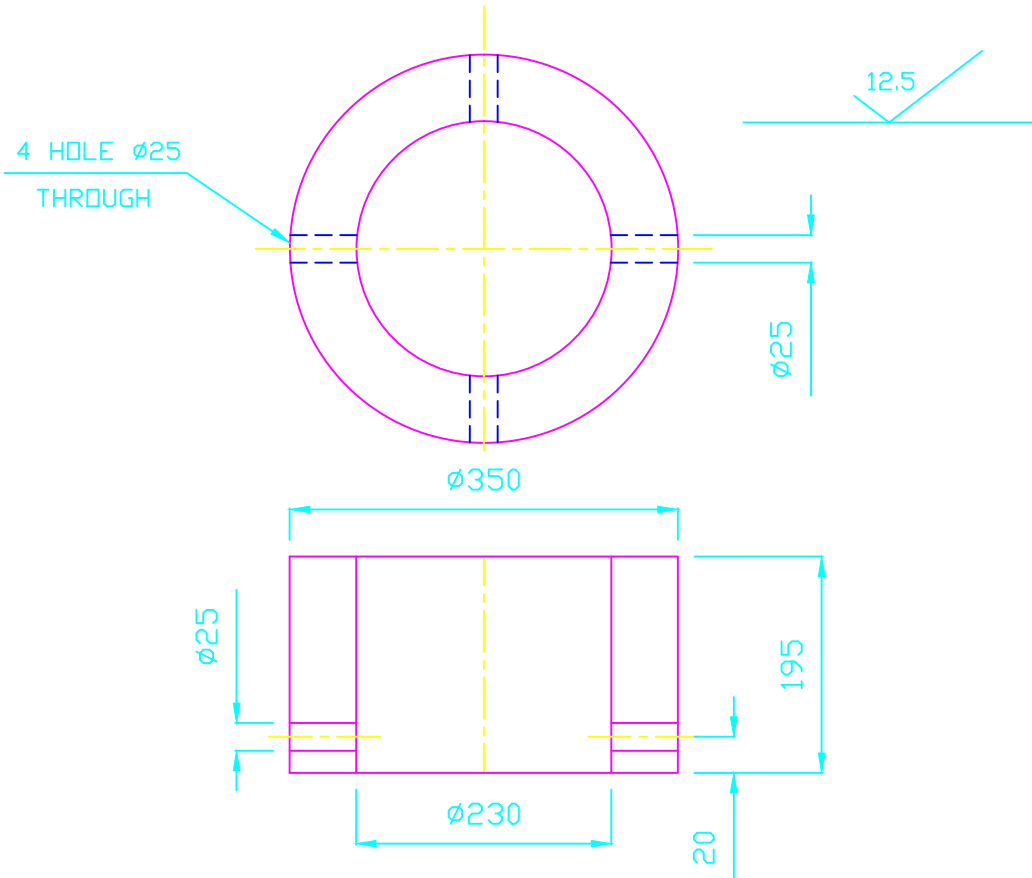


FIRST ANGLE PROJECTION

ALL DIMENSIONS ARE IN mm.

THE INFORMATION ON THIS DOCUMENT IS THE PROPERTY OF BHARAT HEAVY ELECTRICALS LIMITED. IT MUST NOT BE USED DIRECTLY OR INDIRECTLY IN ANY WAY DETRIMENTAL TO THE INTEREST OF THE COMPANY.

REV	DATE	ALTERED	REV	DATE	ALTERED	REV	DATE	ALTERED
01	19.12.09	CHECKED AMAN APPROVED S.GHATGE			CHECKED APPROVED			CHECKED APPROVED
1. MATL. CODE WAS BA9211150140								
2. NET & GROSS WT WAS 68								
3. NOTES ADDED.								




NOTE:  
 1. CASTING TO BE ROUGH MACHINED TO THE DIMENSIONS SHOWN.  
 2. SUPPLY AS PER TDC-BA75020

COMPUTER NO. 46102610.DWG	CASTING		BA9211150213	82.71	84.00
			AA19511		1
REF. DRG. NO.	DESCRIPTION & DRG.NO.	VAR NO.	RAW MATERIAL SIZE OR CASTING DRG.NO. OR FORGING DRG.NO.	MATL. CODE	NET.WT, GROSS WT
				MATL. SPECN.	QTY.

TYPE OF PRODUCT OR NAME OF CUSTOMER/PROJECT

SIGN. & DATE	 भारत हेवी इलेक्ट्रिकल्स लिमिटेड हैदराबाद BHARAT HEAVY ELECTRICALS LTD HYDERABAD	NAME	SIGN	DATE	NO. OF VAR.
		DRN.	PRAVEEN	10/12/08	
		CKD.	A.SURIN	10/12/08	
		APPD.	S.GHATGE	11/12/08	

DEPT.	 SCALE 1: 6	WEIGHT(K.G.)	82.71	REF.TD ASSY.DRG.	ITEM NO.	NO. OF ITEM
CODE						

TITLE	RING I- R/M CASTING	DRAWING NO.	4-61-104-02914	REV.	01
SHT.NO.		NO. OF SHT.			