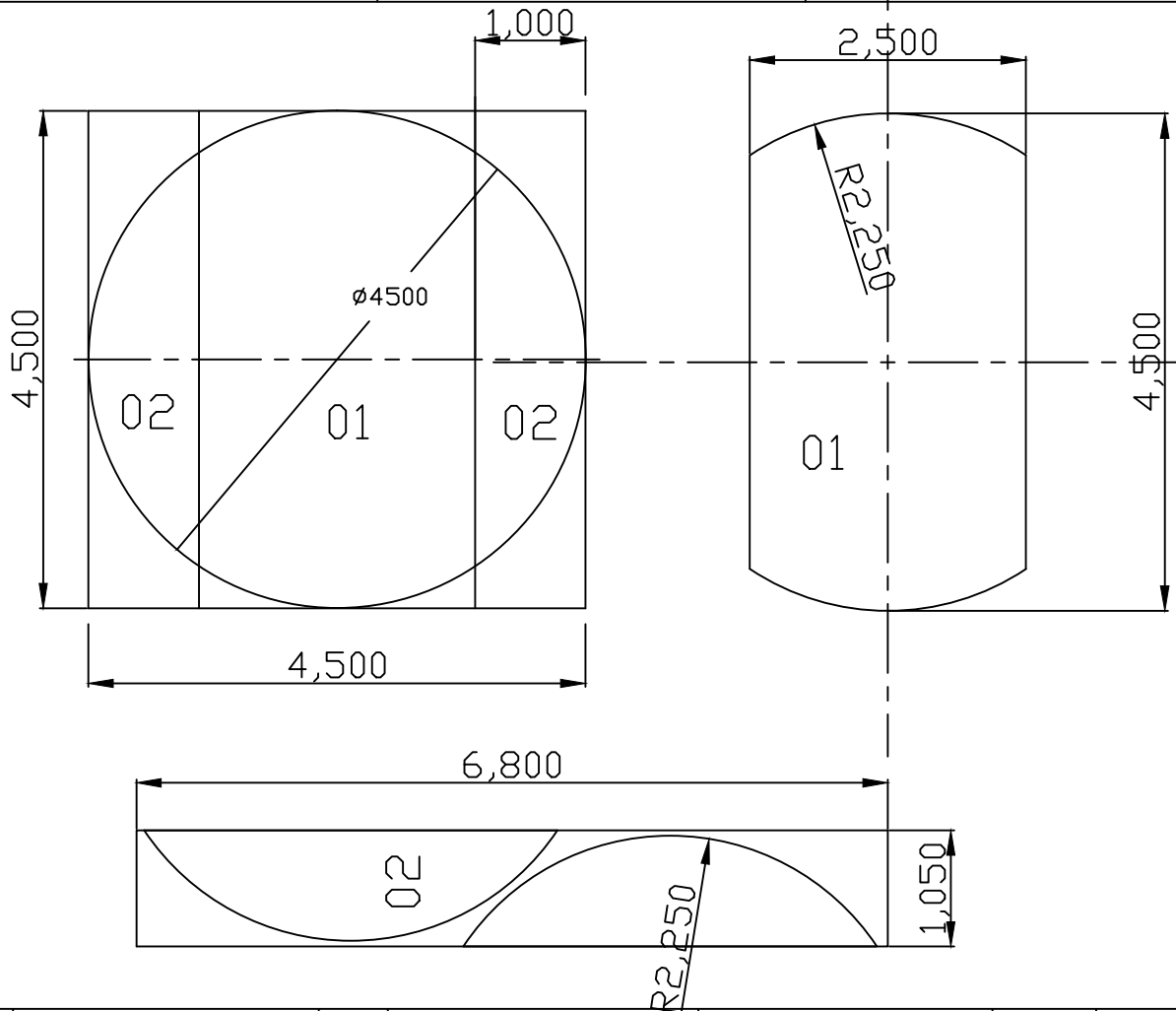


FIRST ANGLE PROJECTION

ALL DIMENSIONS ARE IN mm.

THE INFORMATION ON THIS DOCUMENT IS THE PROPERTY OF BHARAT HEAVY ELECTRICALS LIMITED. IT MUST NOT BE USED DIRECTLY OR INDIRECTLY IN ANY WAY DETRIMENTAL TO THE INTEREST OF THE COMPANY.

REV.	DATE	ALTERED	REV.	DATE	ALTERED	REV.	DATE	ALTERED
		CHECKED			CHECKED			CHECKED
		APPROVED			APPROVED			APPROVED



COMPUTER NO. 46102351	02	PLATE		PL 50X1050X 6800	HY1018819886		2805
					AA10119		1
REF. DRG. NO.	01	PLATE		PL 50X2500X4520	HY1018819886		4435
					AA10119		1
SIGN. & DATE	ITEM NO.	DESCRIPTION & DRG.NO.	VAR NO.	RAW MATERIAL SIZE OR CASTING DRG.NO. OR FORGING DRG.NO.	MATL. CODE	NET.WT.	GROSS WT
					MATL. SPECN.	QTY.	

TYPE OF PRODUCT OR NAME OF CUSTOMER/PROJECT

INVENTORY NO.	REF. TO HY0230261 FOR UNSPECIFIED TOLERANCES.		BHARAT HEAVY ELECTRICALS LTD. HYDERABAD			NAME	SIGN	DATE	NO.OF VAR.	
			DEPT. PULVE		SCALE NTS	WEIGHT(K.G.) 7240	DRN. E.M.ASHOK			19.11.09
			CODE 446				CKD. AMAN			19.11.09
							APPD. S.G			19.11.09
		TITLE	CUTTING PLAN FOR SEPARATOR TOP PRESSING(883)			REF.TO ASSY.DRG.	ITEM NO.	NO.OF ITEM		
						DRAWING NO. 4-61-388-03083		REV. 00		
						SHT.NO.	NO.OF SHT.			