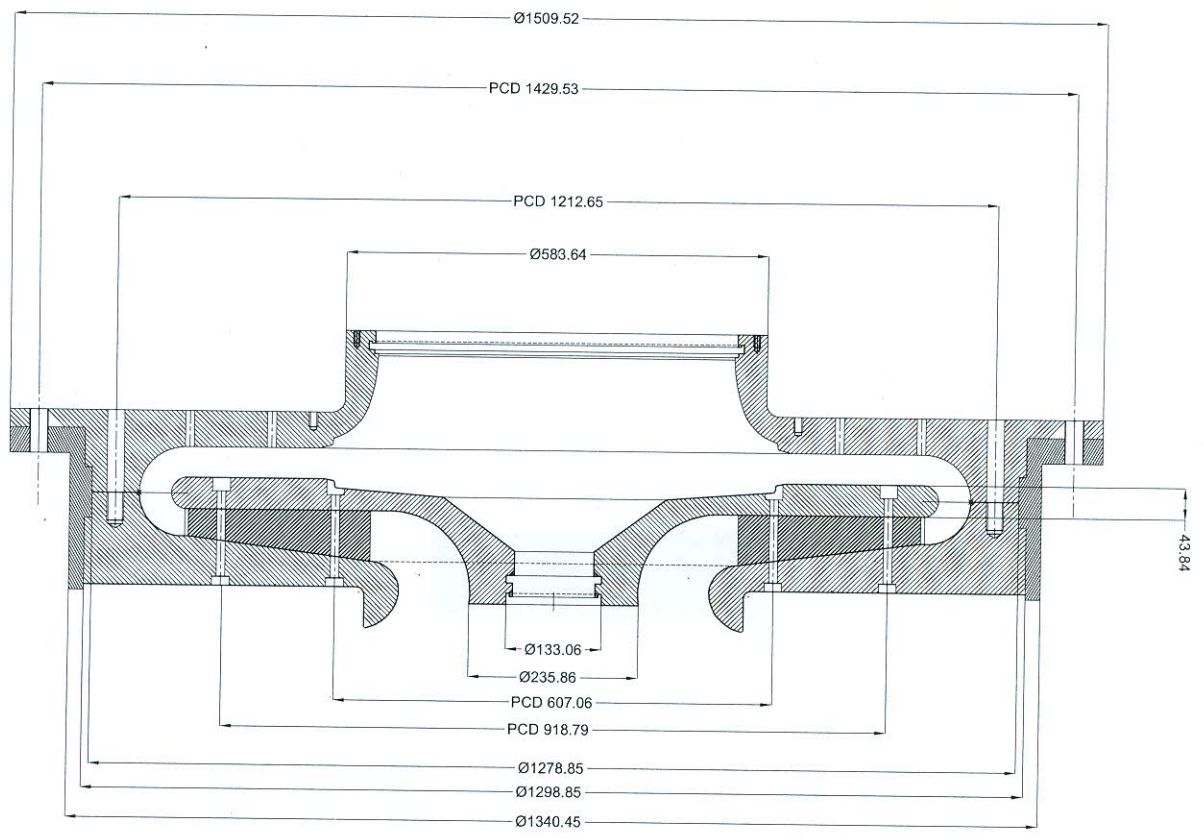


FIRST ANGLE PROJECTION

(ALL DIMENSIONS ARE IN mm)

THE INFORMATION ON THIS DOCUMENT IS THE PROPERTY OF BHARAT HEAVY ELECTRICALS LIMITED. IT MUST NOT BE USED DIRECTLY OR INDIRECTLY IN ANY WAY DETRIMENTAL TO THE INTEREST OF THE COMPANY.



- NOTE :
- 1) IN CASE OF DOUBT, DONT ASSUME, PLEASE ASK.
 - 2) GENERAL TOLERANCE WHERE IT IS NOT SPECIFIED IS ± 0.1 .
 - 3) GENERAL SURFACE FINISH WHERE IT IS NOT MENTIONED IS 1.6 MICRONS.
 - 4) ALL MECHANICAL SEALS ARE HORIZONTAL SPLIT SEALS.

THIS DRG. IS TENTATIVE

		TYPE OF PRODUCT NAME OF CUSTOMER/PROJECT	
BHARAT HEAVY ELECTRICALS LIMITED Corp. R&D Division, Vikasnagar HYDERABAD - 500 093		NEW BT4-1 (HIGH FLOW) IMPELLER DIA. 600 MM COMPRESSOR STAGE TESTING	
DEPT.	050	ISRL	NAME
CODE	TML	CHD.	Vinay Kumar
TITLE	DIAPHRAM ASSEMBLY	APPRD.	KSR Swamy
SCALE	NTS	REF.	P Gowri Shankar
WEIGHT	---	REF. TO ASSY DRG	RD DG 3 TM 13 0101
DRAWING NO.	RD DG 3 TM 13 0102	TDW	NO. OF
SHEET NO.	01	NO. OF SHEETS	0
REV.	0	NO. OF	NO. OF
		VAR.	VAR.

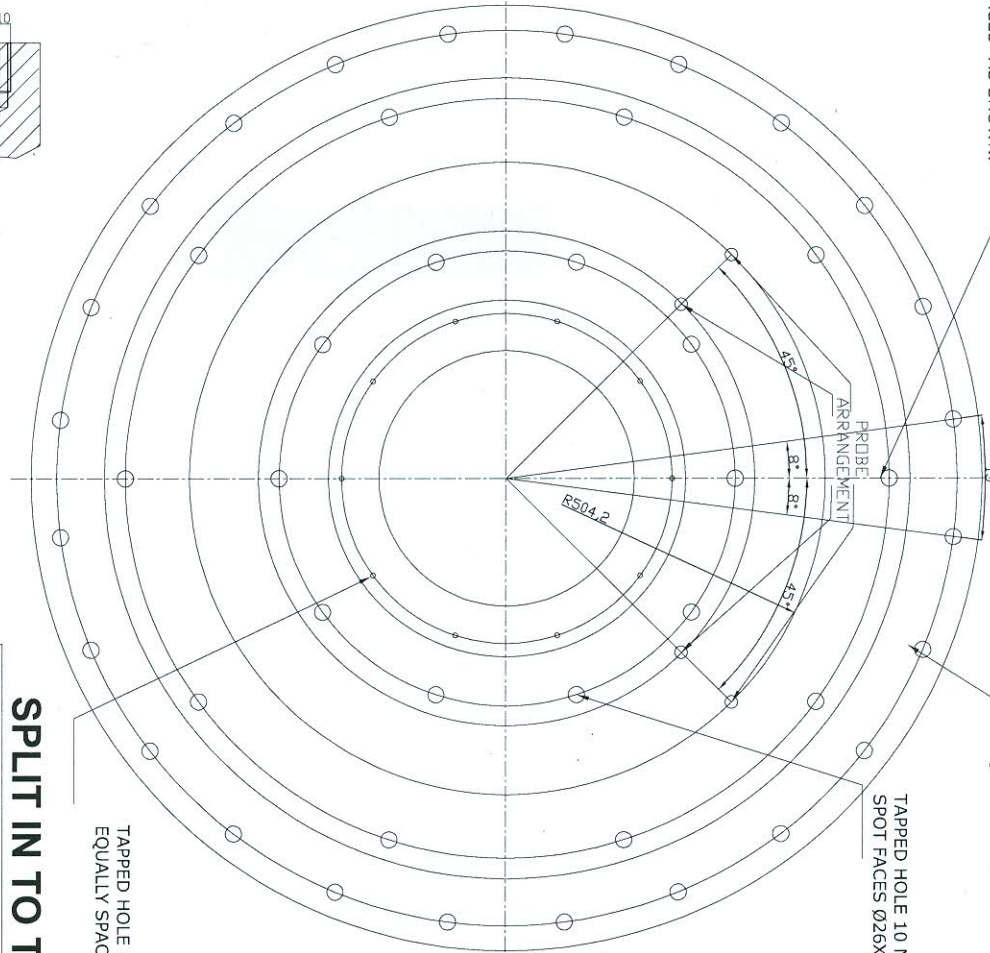
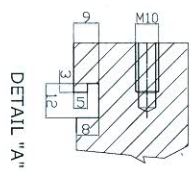
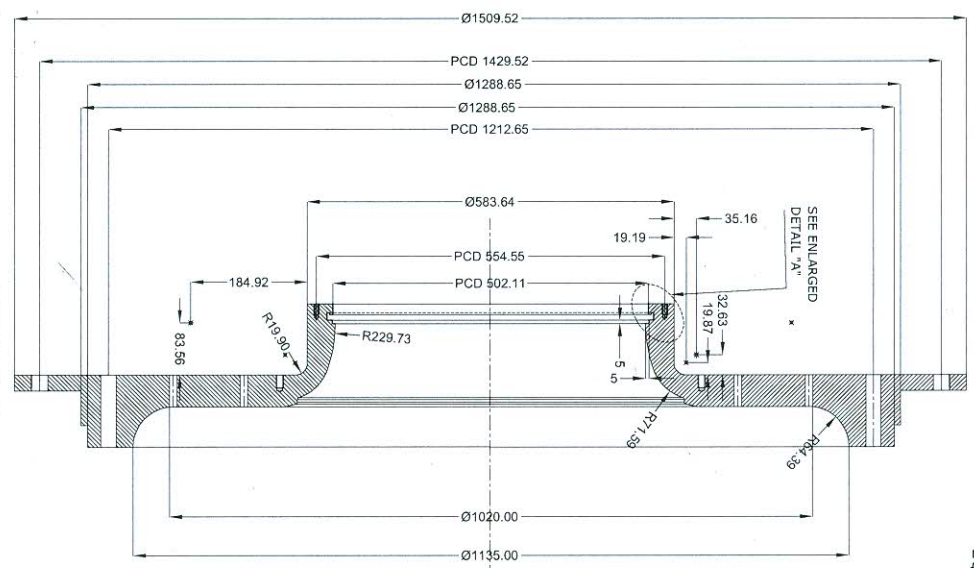
THE INFORMATION ON THIS DOCUMENT IS THE PROPERTY OF BHARAT HEAVY ELECTRICALS LIMITED. IT MUST NOT BE USED DIRECTLY OR INDIRECTLY IN ANY WAY DETRIMENTAL TO THE INTEREST OF THE COMPANY.

INVENTORY NO.	REF.DRG.NO.	COMP. FILE NAME
---------------	-------------	-----------------

- NOTE:
- 1) HORIZONTAL SPLIT.
 - 2) IN CASE OF ANY DOUBT, DON'T ASSUME, PLEASE ASK.
 - 3) GENERAL DIMENSIONAL TOLERANCE IS ± 0.1 MM

THIS DRG. IS TENTATIVE

VIEW A-A



DIA. 26 HOLES 10 FOR M24 BOLT EQUALLY SPACED AS SHOWN.

24 HOLES FOR M24 BOLT CLEAR HOLES EQUALLY SPACED ON PCD 1120

TAPPED HOLE 10 NOS. FOR FOR M10 BOLT SPOT FACES $\varnothing 26 \times 1$ DEEP

TAPPED HOLE 10 NOS. FOR FOR M10 BOLT EQUALLY SPACED AS SHOWN.

SPLIT IN TO TWO PARTS

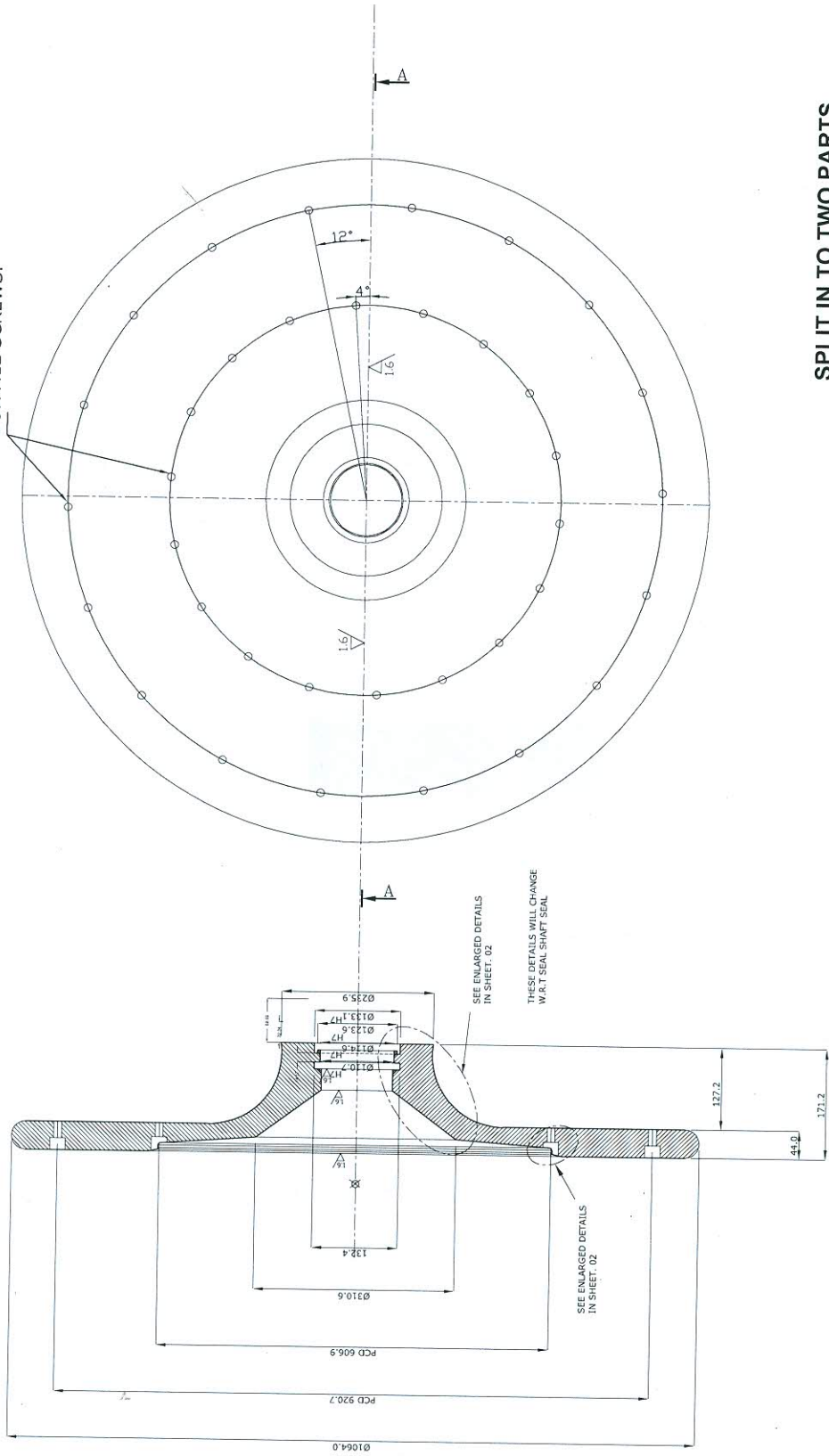
TYPE OF PRODUCT		NEW BT4-1 (HIGH FLOW) IMPELLER DIA. 600 MM	
NAME OF CUSTOMER/PROJECT		COMPRESSOR STAGE TESTING	
DEPT.		BHARAT HEAVY ELECTRICALS LIMITED	
CODE		RD DG 3 TM 13 0101	
SCALE		NTS	
WEIGHT(KG)		---	
APPROV.		P Govil Shankar	
DESIGNER		Viney Kumar	
CHECKER		KSR Swamy	
HYDERABAD - 500 093		DATE	
DATE		21.8.13	
NO. OF VARS		---	
DRAWING NO.		RD DG 3 TM 13 0103	
SHEET NO.		01	
NO. OF SHEETS		01	

FIRST ANGLE PROJECTION

(ALL DIMENSIONS ARE IN MM)

THIS DRG. IS TENTATIVE

DRILL 10 NOS. OF CB HOLES FOR M12 SCREWS.



SPLIT IN TO TWO PARTS

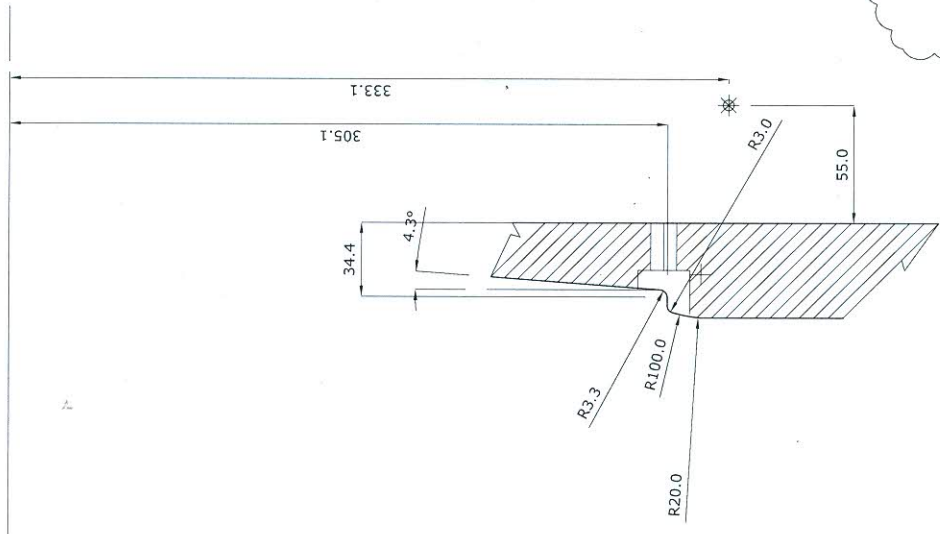
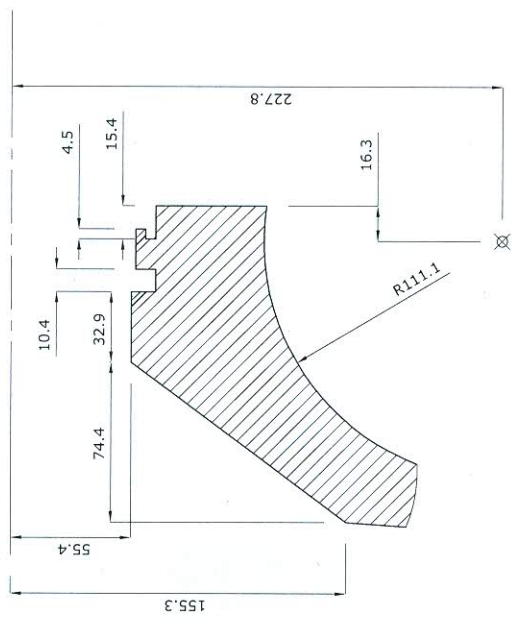
TYPE OF PRODUCT OR NAME OF CUSTOMER/PROJECT		NEW BT4-1 (HIGH FLOW) IMPELLER DIA. 600 MM COMPRESSOR STAGE TESTING	
NAME		DRN.	DATE
BHARAT HEAVY ELECTRICALS LIMITED		Vinay Kumar	ZL.R.T.3
Corp. R&D Division, Vikasnagar HYDERABAD - 500 093		CHD.	KSR Swamy
DEPT.		APPD.	P. Gowri Shankar
050	SCALE	WEIGHT(Kg)	REF. TO ASSY DRG.
TML	NTS	---	RD DG 3 TM 13 0101
TITLE		NO. OF ITEMS	NO. OF SHEETS
DIAPHRAM PART-2		0	0
SHEET NO. 01		NO. OF SHEETS. 02	

GENERAL NOTE:
 1) HORIZONTAL SPLIT
 2) IN CASE OF DOUBT, DON'T ASSUME,
 3) GENERAL DIMENSIONAL TOLERANCE IS ±0.1 MM

INVENTORY NO. REF.DRG.NO. COMP. FILE NAME THE INFORMATION ON THIS DOCUMENT IS THE PROPERTY OF BHARAT HEAVY ELECTRICALS LIMITED. IT MUST NOT BE USED DIRECTLY OR INDIRECTLY IN ANY WAY DETRIMENTAL TO THE INTEREST OF THE COMPANY.

FIRST ANGLE PROJECTION

(ALL DIMENSIONS ARE IN MM)



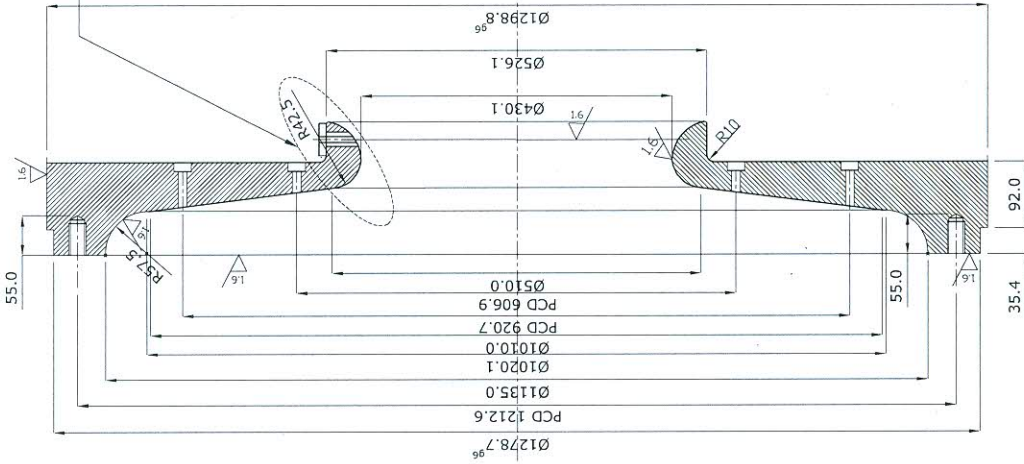
THIS DRG. IS TENTATIVE

GENERAL NOTE:
 IN CASE OF DOUBT, DON'T ASSUME, PLEASE ASK.
 GENERAL DIMENSIONAL TOLERANCE IS ±0.1 MM
 THESE DETAILS WILL CHANGE W.R.T SHAFT SEAL.

TYPE OF PRODUCT NEW BT4-1 (HIGH FLOW) IMPELLER DIA. 600 MM		NAME		DRN.	APPD.	SCALE	WEIGHT(kg)	REF. TO ASSY DRG.	NO. OF ITEMS
NAME OF CUSTOMER/PROJECT BHARAT HEAVY ELECTRICALS LIMITED Corp. R&D Division, Vikasnagar HYDERABAD - 500 093		Vinay Kumar		KSR Swamy	P Gowri Shankar	NTS	---	RD DG 3 TM 13 0101	---
DATE		SIGN.		NO. OF VAR.		ITEM NO.		REV.	
21.8.13								RD DG 3 TM 13 0104	
TITLE DIAPHRAM PART-2		SHEET NO. 02		NO. OF SHEETS. 02		DRAWING NO.		REV.	
								RD DG 3 TM 13 0104	
								0	

INVENTORY NO. REF DRGND. COMP. FILE NAME THE INFORMATION ON THIS DOCUMENT IS THE PROPERTY OF BHARAT HEAVY ELECTRICALS LIMITED. IT MUST NOT BE USED DIRECTLY OR INDIRECTLY IN ANY WAY DETRIMENTAL TO THE INTEREST OF THE COMPANY.

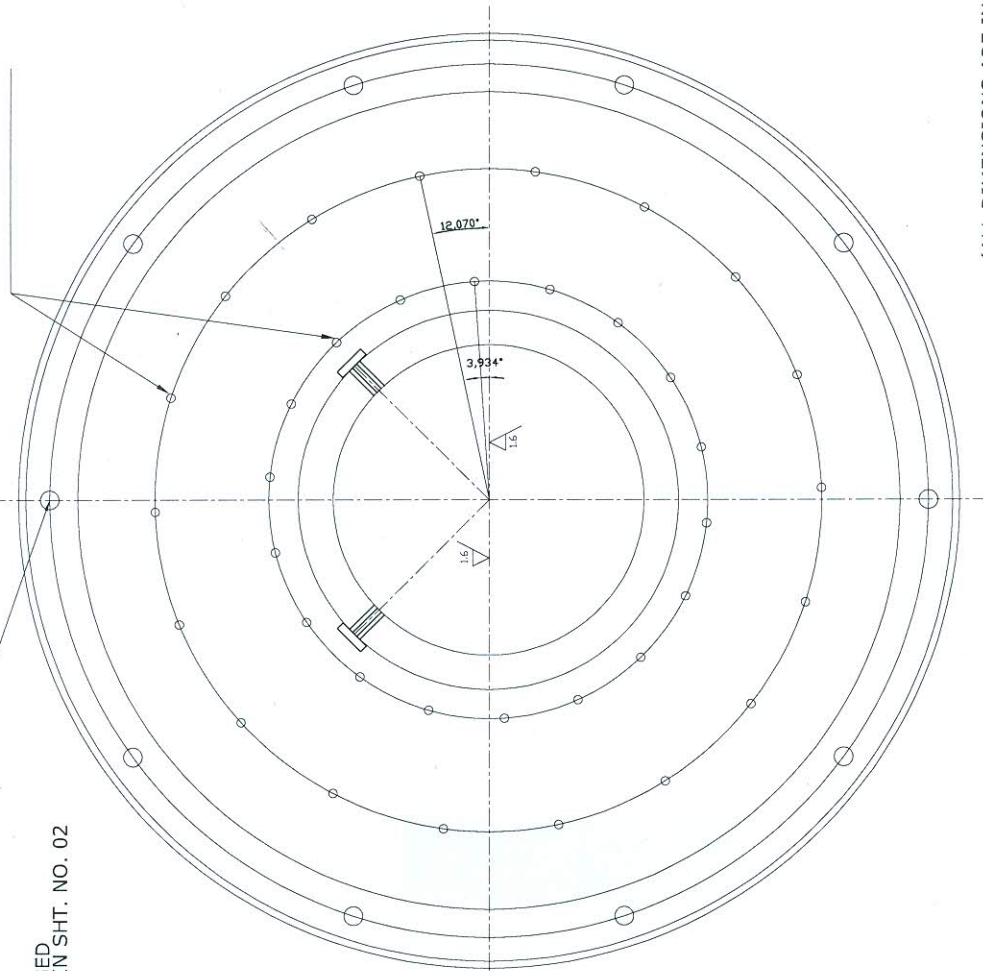
FIRST ANGLE PROJECTION



TAPPED HOLE 10 NOS. FOR M24 BOLT EQUALLY SPACED

SEE ENLARGED DETAIL "A" IN SHT. NO. 02

TAPPED HOLE 18 NOS. FOR M12 BOLT EQUALLY SPACED.



(ALL DIMENSIONS ARE IN mm)

THIS DRG. IS TENTATIVE

GENERAL NOTE:

- 1) IN CASE OF DOUBT, DON'T ASSUME,
- 2) GENERAL TOLERANCE WHERE IT IS NOT SPECIFIED IS ± 0.1 MM.

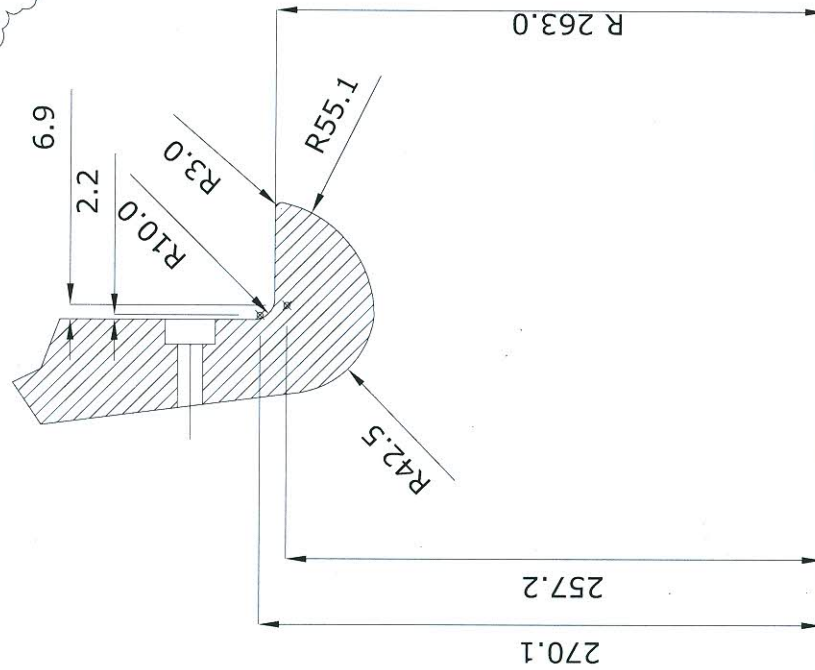
TYPE OF PRODUCT NEW BT4-1 (HIGH FLOW) IMPELLER DIA. 600 MM		NAME Vinay Kumar		SIGN.		DATE 21.8.13		NO. OF VAR.	
NAME OF CUSTOMER/PROJECT BHARAT HEAVY ELECTRICALS LIMITED Corp. R&D Division, Vikasnagar HYDERABAD - 500 093		DRN. KSR Swamy		APPD. P Gowri Shankar		REF. TO ASSY DRG. RD DG 3 TM 13 0101		NO. OF ITEMS --	
DEPT. 050		SCALE NTS		WEIGHT(Kg) ---		REV. RD DG 3 TM 13 0105		NO. OF SHEETS 02	
CODE TML		TITLE DIAPHRAM PART-3		DRAWING NO. RD DG 3 TM 13 0105		SHEET NO. 01		NO. OF SHEETS 02	

THE INFORMATION ON THIS DOCUMENT IS THE PROPERTY OF BHARAT HEAVY ELECTRICALS LIMITED. IT MUST NOT BE USED DIRECTLY OR INDIRECTLY IN ANY WAY DETRIMENTAL TO THE INTEREST OF THE COMPANY.

FIRST ANGLE PROJECTION

ALL DIMENSIONS ARE IN mm

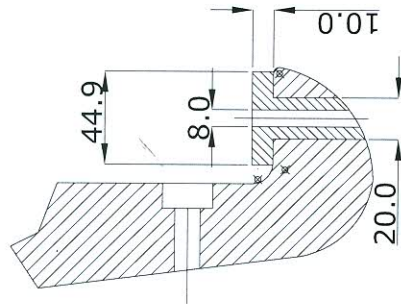
THIS DRG. IS TENTATIVE



DETAIL "A"

GENERAL NOTE:

- 1) IN CASE OF DOUBT, DON'T ASSUME,
- 2) GENERAL TOLERANCE WHERE IT IS NOT SPECIFIED IS ± 0.1 MM.



PROBE ARRANGEMENT

TYPE OF PRODUCT DR NEW BT4-1 (HIGH FLOW) IMPELLER DIA. 600 MM
 NAME OF CUSTOMER/PROJECT COMPRESSOR STAGE TESTING



BEHARAT HEAVY ELECTRICALS LIMITED
 Corp. R&D Division, Vikasnagar
 HYDERABAD - 500 093

DRN.	NAME	SIGN.	DATE	NO. OF VAR.
PRASAD			26.04.13	
CHD. KSR. SWAMY			26.04.13	N/A
APPD. PGS			26.04.13	

DEPT. TML. CODE	UNTO. DIMS. GR. C/M/F	SCALE	WEIGHT (KGS)	REF. TO ASSY. DRG.	ITEM NO.	NO. OF ITEMS
050		N/T/S		RD DG 3 TM 13 0101		N/A

TITLE	CARD CODE	DRAWING NO.	REV.
DIAPHRAGM PART-3	N/A	RD DG 3 TM 13 0105	0

SHT. No	NO. OF SHT.
2	2

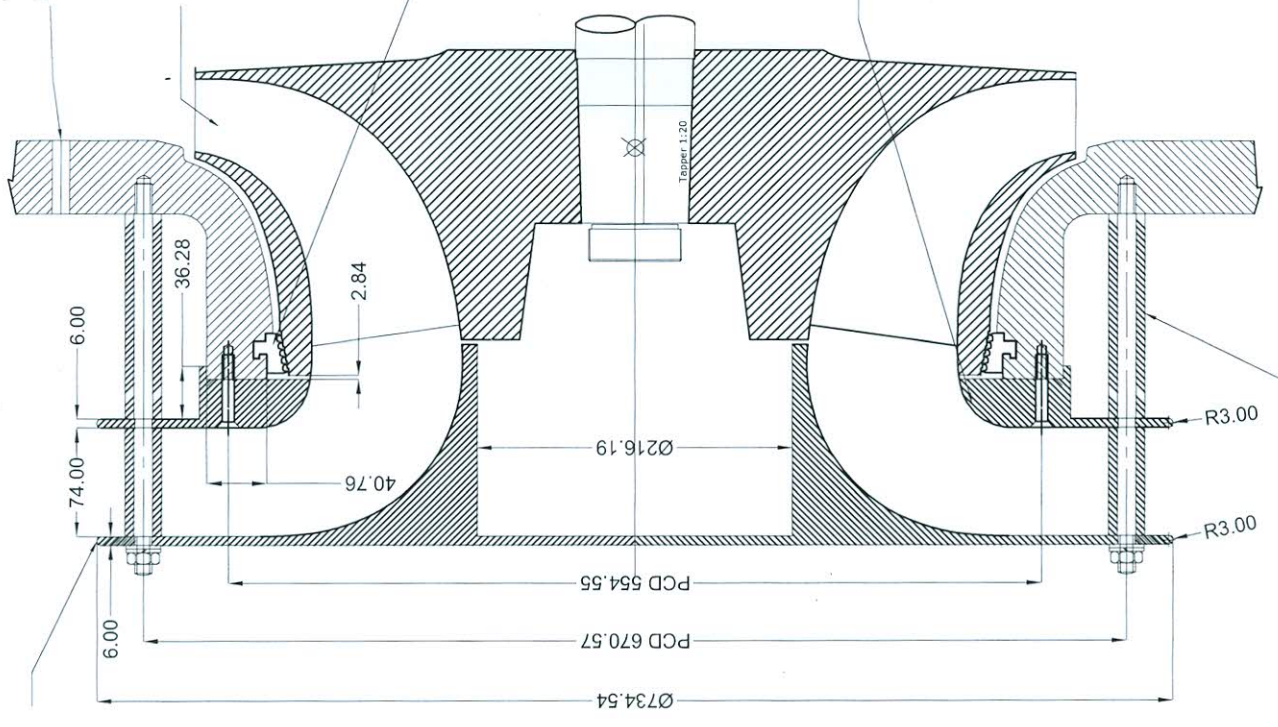
FIRST ANGLE PROJECTION

ALL DIMENSIONS ARE IN MM

TWO HOLES AT 90 DEG. ANGLE FOR PROBE ARRANGEMENT WITH BUSH

600 MM DIA. 3D IMPELLER

IMPELLEER SEAL



GENERAL NOTE:
IN CASE OF DOUBT, DON'T ASSUME, PLEASE ASK.

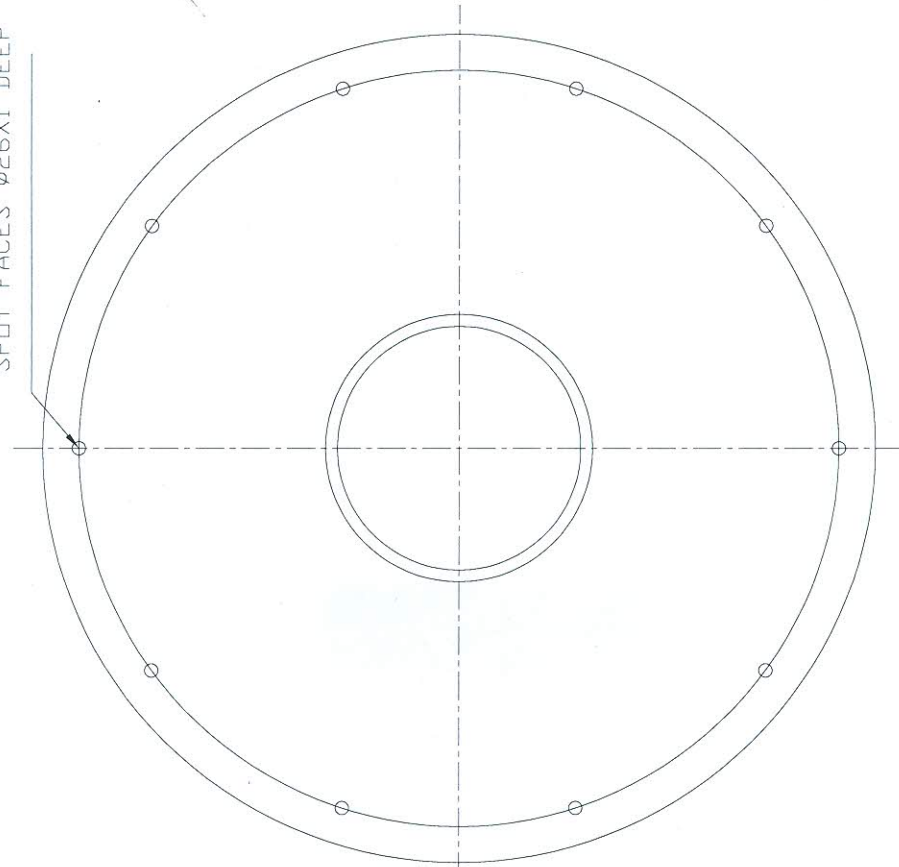
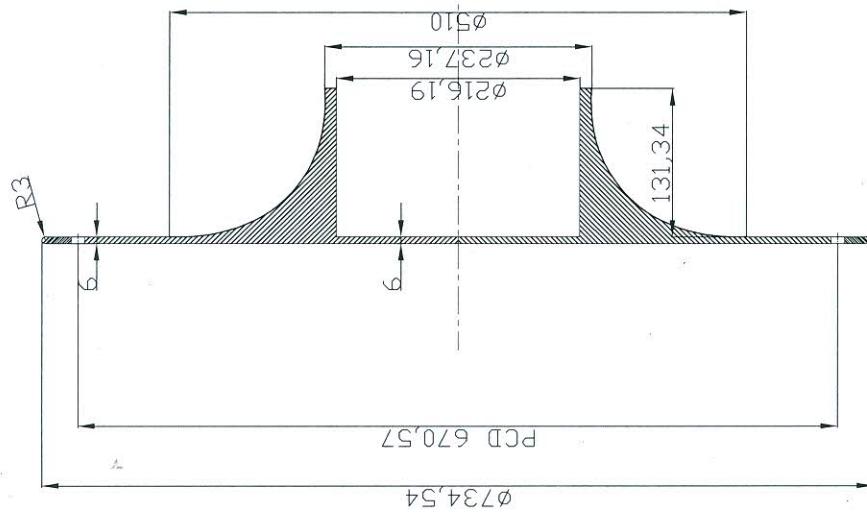
THIS DRG. IS TENTATIVE

TYPE OF PRODUCT OR NAME OF CUSTOMER/PROJECT		NEW BT4-1 (HIGH FLOW) IMPELLER DIA. 600 MM COMPRESSOR STAGE TESTING	
DEPT. TML CODE 050	UNTO. DIMS. GR. C/M/F	SCALE N.T.S.	WEIGHT (KG) REF. TO ASSY. DRG. RD DG 3 TM 13 0101
BHARAT HEAVY ELECTRICALS LIMITED Corp. R&D Division, Vikasnagar HYDERABAD - 500 093		NAME VINAY	DATE 21.8.13
CHD. KSR SWAMY		SIGN.	NO. OF VAR. N.A
APPD. PGS		ITEM NO.	NO. OF ITEMS N.A
TITLE SUCTION CASING ASSEM.		DRAWING NO. RD DG 3 TM 13 0113	REV. 0
SHT. No 1		NO. OF SHT. 1	

FIRST ANGLE PROJECTION

(ALL DIMENSIONS ARE IN mm)

TAPED HOLES 10 NOS.FOR M10 BOLT
SPOT FACES Ø26X1 DEEP



THIS DRG. IS TENTATIVE

NOTE :

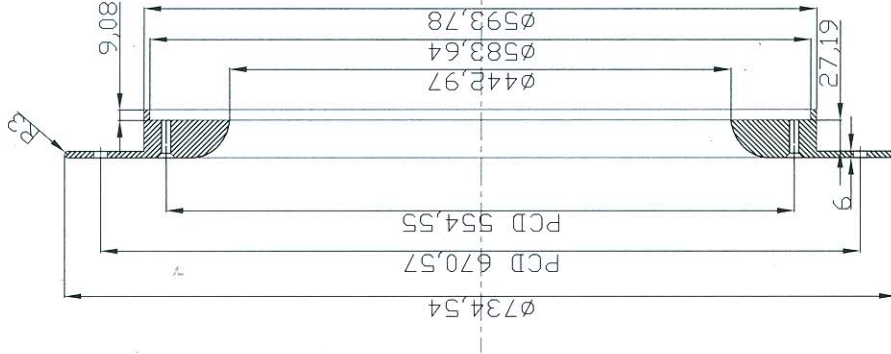
- 1) IN CASE OF DOUBT, DON'T ASSUME, PLEASE ASK.
- 2) GENERAL TOLERANCE WHERE IT IS NOT SPECIFIED IS ± 0.1 .
- 3) GENERAL SURFACE FINISH WHERE IT IS NOT MENTIONED IS 1.6 MICRONS.
- 4) ALL MECHANICAL SEALS ARE HORIZONTAL SPLIT SEALS.

TYPE OF PRODUCT NEW BT4-1 (HIGH FLOW) IMPELLER DIA. 600 MM		NAME OF CUSTOMER/PROJECT COMPRESSOR STAGE TESTING		NAME	SIGN.	DATE	NO OF VAR.
NAME OF CUSTOMER/PROJECT BHARAT HEAVY ELECTRICALS LIMITED		DRN.	Vinay Kumar				
Corp. R&D Division - Vikasnagar		CHD.	KSR Swamy				
HYDERABAD - 500 093		APPD.	P Gowri Shankar				
DEPT.	050	SCALE	NTS	WEIGHT(Kg)	REF. TO ASSY DRG.	ITEM NO.	NO OF ITEMS
CODE	TML			---	RD DG 3 TM 13 0101	---	---
TITLE		SUCTION CASING PART 1		DRAWING NO.		REV.	
				RD DG 3 TM 13 0106		REV.	
				SHEET NO. 01		NO OF SHEETS. 01	

INVENTORY NO. REF.DRGNO. COMP. FILE NAME THE INFORMATION ON THIS DOCUMENT IS THE PROPERTY OF BHARAT HEAVY ELECTRICALS LIMITED. IT MUST NOT BE USED DIRECTLY OR INDIRECTLY IN ANY WAY DETRIMENTAL TO THE INTEREST OF THE COMPANY.

FIRST ANGLE PROJECTION

TAPED HOLES 10 NOS. FOR M10 BOLT
SPOT FACES Ø26X1 DEEP



R367.27
R333.28

TAPED HOLES 10 NOS. FOR
COUNTER SINK SCREW M8

THIS DRG. IS TENTATIVE

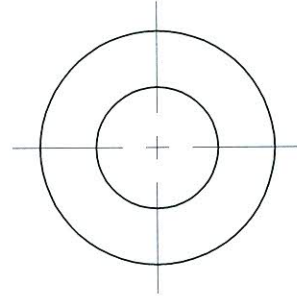
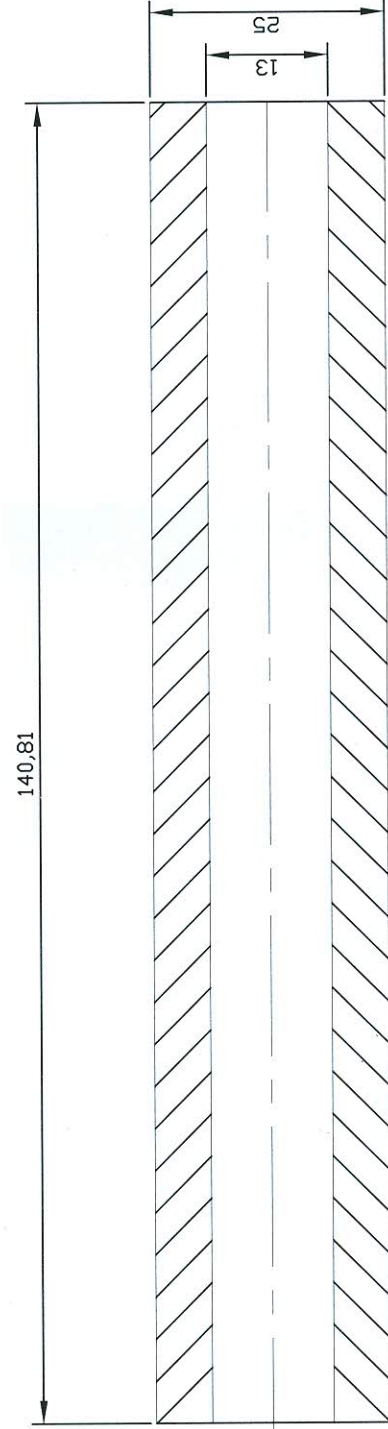
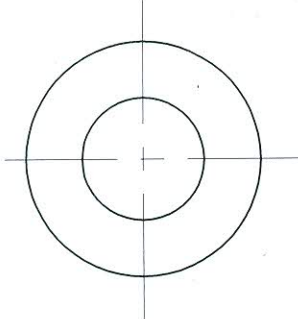
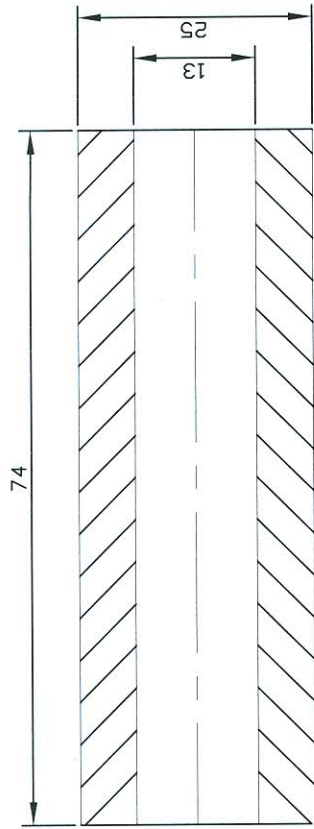
NOTE :

- 1) IN CASE OF DOUBT, DON'T ASSUME, PLEASE ASK.
- 2) GENERAL TOLERANCE WHERE IT IS NOT SPECIFIED IS ± 0.1 .
- 3) GENERAL SURFACE FINISH WHERE IT IS NOT MENTIONED IS 1.6 MICRONS.
- 4) ALL MECHANICAL SEALS ARE HORIZONTAL SPLIT SEALS.

TYPE OF PRODUCT NEW BT4-1 (HIGH FLOW) IMPELLER DIA. 600 MM		NAME Vinay Kumar		SIGN.		DATE		NO. OF VAR.	
NAME OF CUSTOMER/PROJECT BHARAT HEAVY ELECTRICALS LIMITED Corp. R&D Division, Vikasnagar HYDERABAD - 500 093		DRN. KSR Swamy	APPD. P Gowri Shankar						
DEPT. 050	SCALE NTS	WEIGHT(Kg) ---	REF. TO ASSY DRG. RD DG 3 TM 13 0101	ITEM NO.	---	NO. OF ITEMS	---	REV.	---
CODE TML	TITLE SUCTION CASING PART 2		DRAWING NO. RD DG 3 TM 13 0107	SHEET NO. 01		NO. OF SHEETS. 01			

FIRST ANGLE PROJECTION

ALL DIMENSIONS ARE IN mm



THIS DRG. IS TENTATIVE

GENERAL NOTE:
 IN CASE OF DOUBT, DON'T ASSUME, PLEASE ASK.
 QTY. REQUIRED : 10 NOS. EACH.

		TYPE OF PRODUCT OR NAME OF CUSTOMER/PROJECT NEW BT4-1 (HIGH FLOW) IMPELLER DIA. 600 MM COMPRESSOR STAGE TESTING		NAME V/NAY	SIGN _____	DATE 21.8.13	NO. OF VAR. N/A
BHARAT HEAVY ELECTRICALS LIMITED Corp. R&D Division, Vikasnagar HYDERABAD - 500 093		DRN. CHD.	V/NAY KSR SWAMY	APPD. PGS	WEIGHT (KG) REF. TO ASSY. DRG. RD DG 3 TM 13 0101	ITEM NO. RD DG 3 TM 10 0108	NO. OF ITEMS N/A
DEPT. TML CODE 050	UNTO. DIMS. GR. C/M/F	SCALE N.T.S.	DRAWING NO. RD DG 3 TM 10 0108	REV. 00	TITLE SLEEVE FOR INLET CASING	SHT. No 1	NO. OF SHT. 1