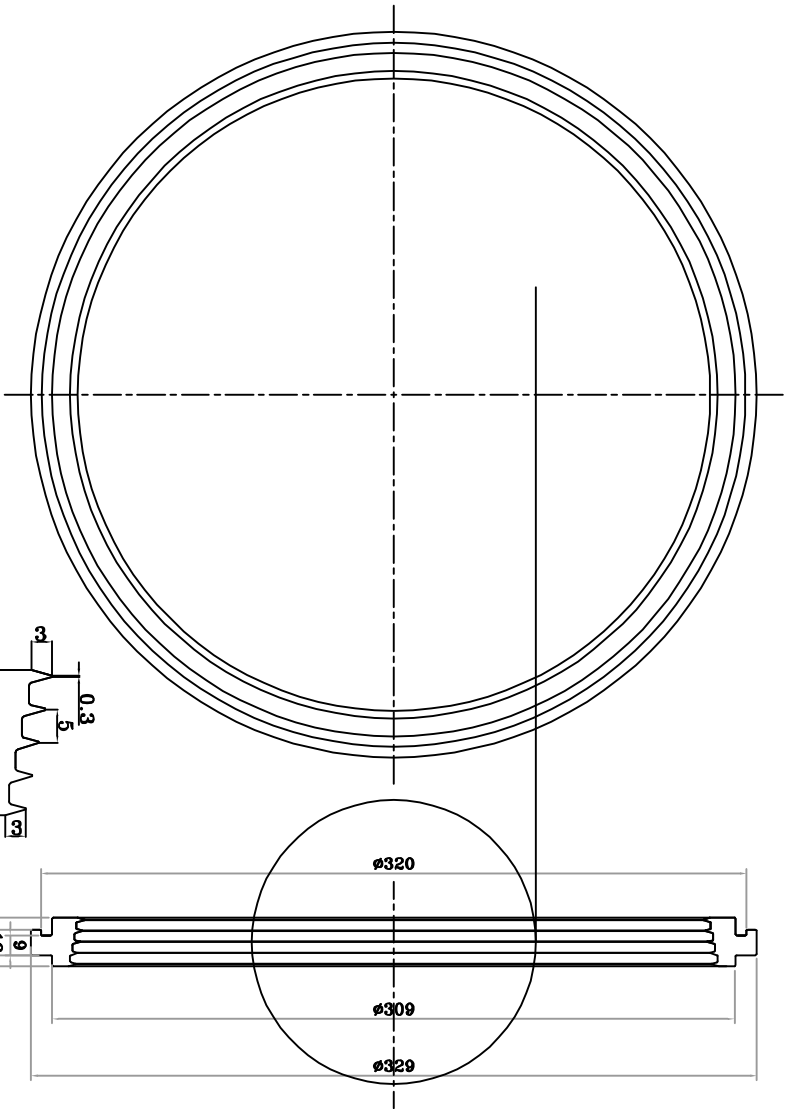


FIRST ANGLE PROJECTION

(ALL DIMENSIONS ARE IN mm)

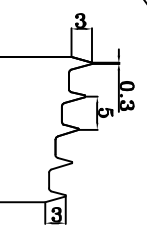
INVENTORY NO \_\_\_\_\_ COMPUTER FILE NAME \_\_\_\_\_ THE INFORMATION ON THIS DOCUMENT IS THE PROPERTY OF BHARAT HEAVY ELECTRICALS LIMITED. IT MUST NOT BE USED DIRECTLY OR INDIRECTLY IN ANY WAY DETRIMENTAL TO THE INTEREST OF THE COMPANY

33320900169-S00-R00.DWG  
 GENERAL DIMENSIONAL LIMITS, FITS & TOLERANCES AS PER HY0230261



THIS IS TENTATIVE DRAWING.

- GENERAL NOTE:
- 1) IN CASE OF DOUBT, DON'T ASSUME, PLEASE ASK.
  - 2) GENERAL DIMENSIONAL TOLERANCE IS ±0.1 MM
  - 3) HORIZONTAL SPLIT
  - 4) MATERIAL: AVONAL 14



VIEW A-A

**SPLIT IN TO TWO PARTS**

TYPE OF PRODUCT OR PERFORMANCE TESTING OF 500 MM DIA, 2D F5 IMPELLER  
 NAME OF CUSTOMER/PROJECT ( QYH-13-599-RD-50 )



**BHARAT HEAVY ELECTRICALS LIMITED**  
 Corp. R&D Division, Vikasnagar  
 HYDERABAD - 500 093

DRN.	NAME	SIGN.	DATE	NO. OF VAR.
CHD.	VINAY		08.02.15	N.A
APPD.	N.K.SINGH			

DEPT. TML	UNTOL. DIMS. GR. C/M/F	SCALE N.T.S	WEIGHT (KG)	REF. TO ASSY. DRG.	ITEM NO.	NO. OF ITEMS
050				RD DG 3 TM 15 F-1		N.A

TITLE	CARD CODE	DRAWING NO.	REV.
IMPELLER SEAL	N.A	RD DG 3 TM 15 F-6	0

SHT. No	NO. OF SHT.
1	1