

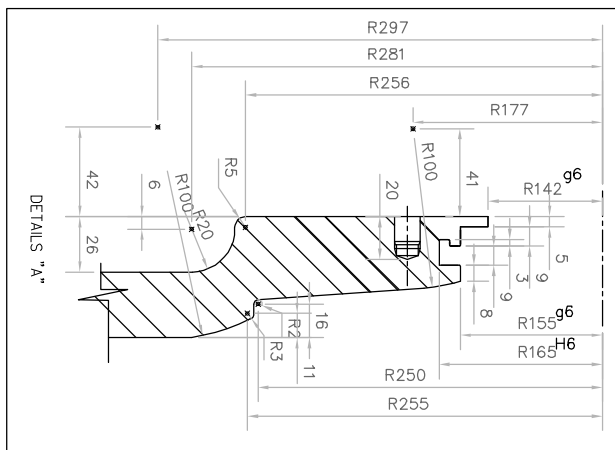
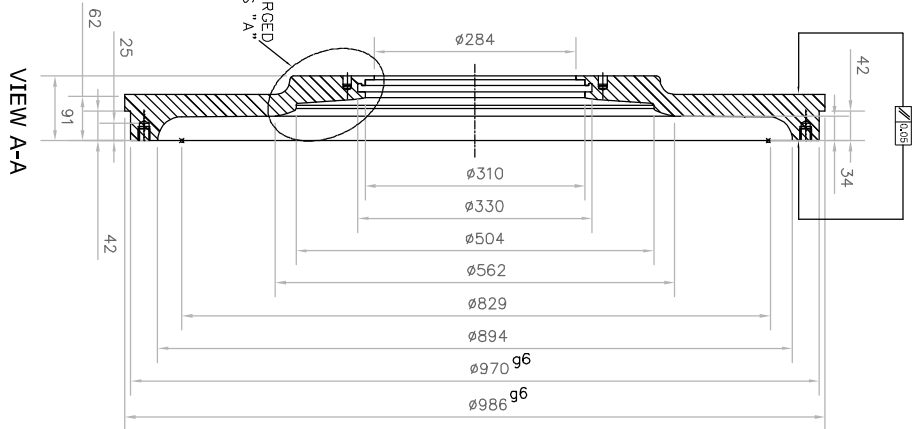
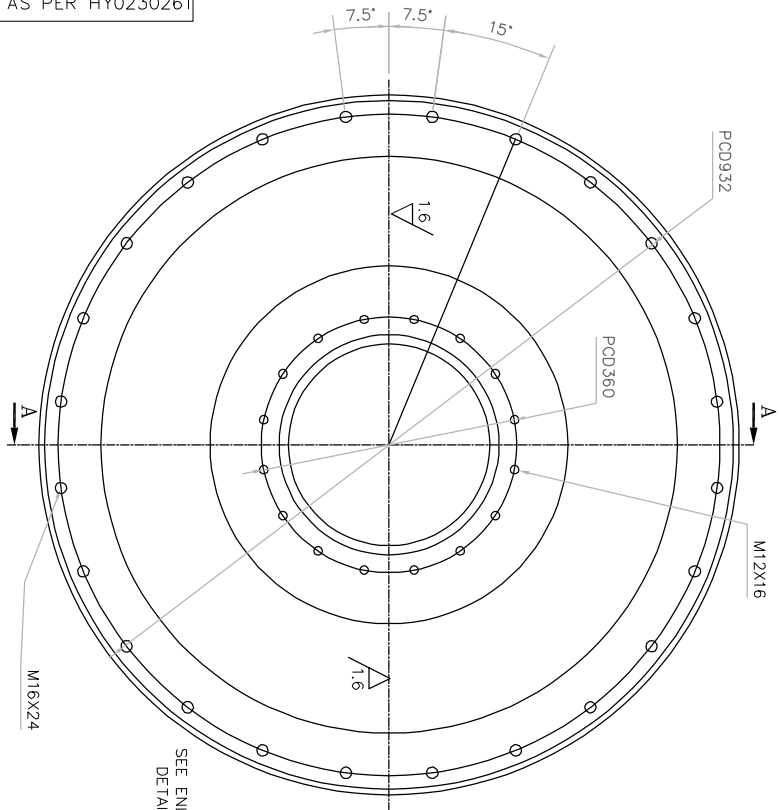
FIRST ANGLE PROJECTION

(ALL DIMENSIONS ARE IN mm)

INVENTORY NO. COMPUTER FILE NAME THE INFORMATION ON THIS DOCUMENT IS THE PROPERTY OF BHARAT HEAVY ELECTRICALS LIMITED. IT MUST NOT BE USED DIRECTLY OR INDIRECTLY IN ANY WAY DETRIMENTAL TO THE INTEREST OF THE COMPANY

33320900169-800-RD.DWG

GENERAL DIMENSIONAL LIMITS, FITS & TOLERANCES AS PER HY0230261



THIS IS TENTATIVE DRAWING.

- GENERAL NOTE:
- 1) IN CASE OF DOUBT, DON'T ASSUME, PLEASE ASK.
 - 2) GENERAL DIMENSIONAL TOLERANCE IS ± 0.1 MM
 - 3) HORIZONTAL SPLIT
 - 4) MATERIAL: IS: 2062 FE 410 W

SPLIT IN TO TWO PARTS

TYPE OF PRODUCT OR PERFORMANCE TESTING OF 500 MM DIA. 2D FS IMPELLER
 NAME OF CUSTOMER/PROJECT (QYH-13-599-RD-50)



BHARAT HEAVY ELECTRICALS LIMITED
 Corp. R&D Division, Vikasnagar
 HYDERABAD - 500 093

DEPT. TML	UNTOOL. DIMS.	SCALE	WEIGHT (KG)	NO. OF ITEMS
CODE 050	GR. C/M/F	N.T.S		

TITLE	CARD CODE	NO. OF SHT.	NO. OF SHT.	REV.
DIAPHRAGM PART-1	RD DG 3 TM 15 F-3	1	1	0

DRN. VINAY	DATE 03.02.15	NO. OF VAR.
CHD. AMBRISH		
APPD. N.K.SINGH		

NAME	SIGN.	DATE	NO. OF

REF. TO ASSY. DRG. RD DG 3 TM 15 F-1	ITEM NO.	NO. OF