

BHARAT HEAVY PLATE & VESSELS LIMITED.,
(A Subsidiary Bharat Heavy Electricals Limited)
A Government of India Enterprises
Visakhapatnam – 530 012 INDIA.
web site: www.bhpvl.com



Phone : +91(0891) 6681309, 494
+91(0891) 6681396
Fax : +91(0891) 6681700
E-Mail : skmishra@bhpvl.com

NOTICE INVITING TENDER(NIT)

**Category of Tender: TWO BID
(PRICED + UN - PRICED)**

SUB: COMPACT SUBSTATION

Our Ref: **MM/2/10/3436/CAP/W-030/5030**

DATE: 08.05.2013

Sealed quotations in duplicate are invited from suppliers on **or before 04.06.2013** **SUPERSCRIBING OUR REFERENCE AND CATEGORY OF TENDER** on the cover, for supply of the under mentioned stores within the above due date, otherwise send **REGRET LETTER**, strictly subject to the Terms & Conditions attached herewith.
LATE TENDERS ARE NOT ACCEPTABLE.

ITEM No.	DESCRIPTION / SPECN. / SIZE	QTY																								
1.	COMPACT SUBSTATION	5 No's																								
	Encl: <table><tr><td>1. Qualifying Criteria PART A</td><td>.....</td><td>3 pages</td></tr><tr><td>2. Technical Specifications PART B</td><td>.....</td><td>8 Pages</td></tr><tr><td>3. Annexure-I</td><td>.....</td><td>1 Page</td></tr><tr><td>4. Annexure-II</td><td>.....</td><td>1 Page</td></tr><tr><td>5. Annexure-III</td><td>.....</td><td>1 Page</td></tr><tr><td>6. Annexure-IV</td><td>.....</td><td>1 Page</td></tr><tr><td>7. Annexure-V</td><td>.....</td><td>1 Page</td></tr><tr><td>8. General Terms/ commercial terms and conditions (INCLUDING CHECK LIST)</td><td>.....</td><td>10 pages</td></tr></table>	1. Qualifying Criteria PART A	3 pages	2. Technical Specifications PART B	8 Pages	3. Annexure-I	1 Page	4. Annexure-II	1 Page	5. Annexure-III	1 Page	6. Annexure-IV	1 Page	7. Annexure-V	1 Page	8. General Terms/ commercial terms and conditions (INCLUDING CHECK LIST)	10 pages	
1. Qualifying Criteria PART A	3 pages																								
2. Technical Specifications PART B	8 Pages																								
3. Annexure-I	1 Page																								
4. Annexure-II	1 Page																								
5. Annexure-III	1 Page																								
6. Annexure-IV	1 Page																								
7. Annexure-V	1 Page																								
8. General Terms/ commercial terms and conditions (INCLUDING CHECK LIST)	10 pages																								

For BHARAT HEAVY PLATE & VESSELS LIMITED,

For Dy. GENERAL MANAGER (MM)

SECTION – I: QUALIFYING CRITERIA

The BIDDER has to compulsorily meet the following requirements to get qualified for considering the technical offer:

Sl. No.	REQUIREMENTS	VENDOR's RESPONSE
1.0	Only those vendors (OEMs), who have designed, manufactured, supplied and commissioned at least FIVE LT BREAKER WITH PANELS in the past ten years and such equipment is presently working satisfactorily for more than one year after commissioning (on the date of opening of Tender) should quote.	
	Bidders who are not OEMs shall submit a letter from the OEM, indicating the bidder as authorised agency for supplying and servicing the quoted equipment.	
	The vendor should submit following information where similar machine has been supplied for qualification of their offer.	
1.1	Name and postal address of the customer or company where similar equipment is installed.	
1.2	Name and designation of the contact person of the customer.	
1.3	Phone, FAX no and email address of the contact person of the customer.	
1.4	Month and Year of commissioning of the equipment.	
1.5	Application for which the equipment is supplied	
1.6	BHPV reserves the right to verify the information provided by vendor. In case the information provided by vendor is found to be false / incorrect, the offer shall be rejected.	
1.7	Bidder to submit commissioning certificates for items specified at Clause No. 1 above.	
2.0	DELIVERY - The bidder shall quote the best possible delivery. However the delivery shall not exceed 4 months with an additional grace period of 1 month, however additional grace period will have a loading for arriving at the PRICE COMPETITIVENESS of the Commercial Offer (if the offer is technically acceptable on all accounts). Details are given in the Commercial Terms of this Tender. Bidder to specify the time required for E&C. BHPV reserves the right to fix E&C period during Finalization of offer in consultation with the bidder.	

SECTION – II

The BIDDER / VENDOR are requested to provide the following information:

Sl. No.	REQUIREMENTS	VENDOR's RESPONSE
3.0	The BIDDER/VENDOR to furnish Reference List of Customers, with full address, details of contact person, where such LT Breakers/Panels have been supplied in the past.	
4.0	Details of such LT Breakers/Panels have been supplied to other BHPV / BHEL units, if any. (Year of commissioning)	
5.0	Details on SERVICE-AFTER-SALES Set-Up in India including the Address of Agents / Service Centres in South India.	
6.0	Any Additional Data to supplement the manufacturing capability of the BIDDER for the subject equipment.	

SECTION – III

The BIDDER to note:

SI. No.	REQUIREMENTS	VENDOR's RESPONSE
7.0	The BIDDER / VENDOR shall submit the offer in TWO PARTS. 1. Technical Offer [with PART A & PART B] & commercial offer 2. Price Bid.	
8.0	The Technical Offer shall contain a comparative statement of Technical Specifications demanded by BHPV and Offer Details submitted by the Bidder , against each clause. A just 'CONFIRMED' or 'COMPLIED' or 'YES' or 'NO-DEVIATION' or similar words in the technical comparative statement where specific details are required may lead to disqualification of the Technical Offer.	
9.0	The Technical Offer shall be supported by product Catalogues & Data Sheets and also technical details of Bought-Out-Items with copies of Product Catalogue to the extent possible.	
10.0	The Commercial Offer (given with the Technical Offer) shall contain the Scope of Supply and the Un-Priced Part of the Price - Bid, for confirmation.	

TECHNICAL SPECIFICATION FOR COMPACT SUB STATION

Brief description of work: BHPV have five LT Substations for electric power distribution in factory premises. Replacement of certain components listed below are envisaged under the scope .It is proposed to replace T1 Substation (Detail in Annex. –I), T2 Substation (Detail in Annex. –II), T3 Substation (Detail in Annex. –III), T4 Substation (Detail in Annex. – IV) ,T5 Substation (Detail in Annex. – V).Detailed specification for the above mentioned items are as given below.

Name of the Work: Design, Manufacture, Supply, installation, testing and commissioning of **415V LT Sub stations (05 sets as per respective Annexures enclosed with the tender).**

SI No	Description	Vendors offer
1.0.0	415 V LT Substation(All incoming and out- going cabling by BHPV)	
1.1.1	Applicable standards : IEC	Vendor to Confirm
1.1.2	Number of poles : 4	Vendor to Confirm
1.1.3	Rated insulation voltage : 1100V	Vendor to Confirm
1.1.4	Impulse withstand voltage : 12KV	Vendor to Confirm
1.1.5	Rated voltage : 415V	Vendor to Confirm
1.1.6	Rated normal current : As per respective Annexures (I - V)	Vendor to Confirm
1.1.7	Rated making capacity (peak) : 100 KA minimum	Vendor to Confirm
1.1.8	Rated duration of short circuit current (rms) : 50 KA for 1sec	Vendor to Confirm
1.1.9	Breaking capacity : 50KA rms	Vendor to Confirm
1.1.10	Rated frequency : 50 Hz	Vendor to Confirm
1.1.11	Operating time at rated frequency a) Opening time : <40 msec b) Closing time : <70 msec	Vendor to Confirm
1.1.12	Operation : Electrical and manual	Vendor to Confirm
1.1.13	Type : Draw out type	Vendor to Confirm

TECHNICAL SPECIFICATION FOR COMPACT SUB STATION – PART B

SI No	Description	Vendors offer
1.2.0	Panel cubicle shall be provided with:	Vendor to Confirm
1.2.1	LT metering CT- 3 nos, with secondary 1A, CI-1.0,	Vendor to Confirm
1.2.2	LT protection CT- 3 nos, with secondary 1A, CI-1.0,	Vendor to Confirm
1.2.3	Alarm & Hooter 1set for Incomer Feeders and bus couplers.	Vendor to Confirm
1.2.4	Digital Multifunction meter: Protection and Measurement for all incomers and bus couplers should have the following as minimum: Digital type Displaying: A, V, PF, Hz, KW, KVAR, KVAH, KWh. Class: 0.5, Make: Conserve./Areva/Easun Reyroll/ABB 1 No display type Feeder Protection Relay for each incomer panels and bus coupler with over load, short circuit, earth fault, neutral protection.	Vendor to Confirm
1.2.5	Ammeter with Selector Switch both the Incomers & Bus Coupler Feeders	Vendor to Confirm
1.2.6	Voltmeter with selector Switch both the Incomers & Bus Coupler Feeders	Vendor to Confirm
1.3.0	ACBs shall have Features such as:	
1.3.1	Painting: - light grey shade.(RAL)	Vendor to Confirm
1.3.2	A set of drawings such as dimensional, foundation, electrical schematic diagram duly indicating all provisions shall be submitted along with offer.	Vendor to Confirm
1.3.3	Internal wiring shall be carried out using 1.1 KV grade grey PVC insulated stranded copper wire a) CT circuit = 2.5 sq.mm b) Control and potential circuit = 1.5 sq.mm.	Vendor to Confirm
1.3.4	The main horizontal bus bar shall be sleeved using heat shrinkable black colored PVC sleeve. Bus bar shall be color coded as red, yellow, blue for R, Y, B at regular intervals. The first tap off point from main horizontal bus bars shall be shrouded.	Vendor to Confirm
1.3.5	The earth bus shall be of 50 x 6 mm with extension at both the ends of the switchboard with provision for external earthing.	Vendor to Confirm
1.3.6	Connections: incoming and outgoing shall be bottom cable entry.	Vendor to Confirm
1.3.7	Panel shall be extendable type.	Vendor to Confirm
1.3.8	Breaker truck must be able to take out from cubicle smoothly on a trolley.	Vendor to Confirm
1.3.9	Viewing window must be provided at the rear side. It shall be of poly carbonate only and must be tested for internal arc.	Vendor to Confirm

TECHNICAL SPECIFICATION FOR COMPACT SUB STATION – PART B

SI No	Description	Vendors offer
1.3.10	The equipment shall also conform to the provisions of Indian Electricity rules and other statutory regulations currently in force in the country	Vendor to Confirm
1.3.11	In Case Indian standards are not available for any equipment, standards issued by IEC/BS /VDE/ IEEE/ NEMA or equivalent agency shall be applicable	Vendor to Confirm
1.3.12	In Case of any contradiction between various referred standards / specifications / data sheet and statutory regulations the following order of priority shall govern. <ul style="list-style-type: none"> ➤ Statutory regulations ➤ Job specifications ➤ This specification ➤ Codes and standards. 	Vendor to Confirm
1.3.13	The Offered equipment shall be brand new with state of art technology and proven field track record. No prototype equipment shall be offered.	Vendor to Confirm
1.3.14	Vendor shall ensure availability of spare parts and maintenance support services for the offered equipment at least for 15 years from the date of supply.	Vendor to Confirm
1.3.15	Vendor shall give a notice of at least one year to BHPV for phasing out the product/spares to enable the end user for placement of order for spares and services	Vendor to Confirm
1.4.0	SHOP CONDITIONS The switchboards shall be suitable for installation and satisfactory operation in a substation with restricted natural air ventilation, in a tropical, humid and corrosive atmosphere	Vendor to Confirm
1.4.1	If not specifically mentioned, a design ambient temperature shall be 50° C and relative humidity 93%.	Vendor to Confirm
1.4.2	All The equipment described in this specification is intended for continuous duty at the specified rating under the specified ambient conditions, unless and otherwise specified.	Vendor to Confirm
1.5.0	DESIGN AND FABRICATION REQUIREMENTS	
1.5.1	Medium voltage switchboard shall be metal enclosed fully draw out or fixed, as specified in the specification, free standing, floor mounting, compartmentalized, modular type suitable for indoor installation.	Vendor to Confirm
1.5.2	The Switchboard enclosure shall be dust and vermin proof and shall provide a degree of protection not less than IP-41.	Vendor to Confirm

TECHNICAL SPECIFICATION FOR COMPACT SUB STATION – PART B

SI No	Description	Vendors offer
1.5.3	The switchboards shall be of extendable type in either direction at a later date. End of bus bars shall be suitably drilled for this purpose. Panels at extreme end shall have openings, which shall be covered with plates screwed to the panel.	Vendor to Confirm
1.5.4	The Frame of individual vertical panels shall be fabricated using pressed and cold rolled sheet steel. The sheet steel used for panel shall be of minimum 2mm (14SWG) CRCA except the doors and covers that may be made of 1.6mm (16SWG) CRCA. Wherever required, stiffeners shall be provided to increase stiffness of large size doors and covers.	Vendor to Confirm
1.5.5	All hardware shall be corrosion resistant. All joints and connections of the panel bolts, shall be made of galvanized or zinc passivated or cadmium plated high quality steel nut sand washers, secured against loosening.	Vendor to Confirm
1.5.6	Suitable removable type eyebolts/ lifting hooks shall be provided for lifting of the panel/shipping section. These eyebolts/ lifting hooks, when removed shall not leave any opening in the panels.	Vendor to Confirm
1.5.7	Non-magnetic cable gland plates shall be provided for termination of single core cables.	Vendor to Confirm
1.5.8	A Metal enclosed horizontal bus bar compartment running at the top, unless and otherwise specified.	Vendor to Confirm
1.5.9	Auxiliary devices for control, reset, indication, measurement and protection such as pushbuttons, control and selector switches, indicating lamps, measuring instruments and protective relays shall be mounted on the front side of the respective compartment. The design shall be such that all power ON/OFF or START / STOP and relay reset operations shall be performed without opening the panel door.	Vendor to Confirm
1.6.0	Space Heaters <ul style="list-style-type: none">➤ The switchboard panels shall be provided with space heaters to prevent moisture Condensation.➤ The space heater shall be located in the bottom part of each panel and shall be supplied from 240 V AC auxiliary buses for space heater.➤ The space heater shall be provided with a switch, fuse or double pole MCB and thermostat having adjustable setting range of 30-70° C.➤ Further, one number 240V AC, 5/ 15A, 5 Pin socket for owner’s use shall be provided inside panels.	Vendor to Confirm
1.7.0	Bus Bar Bus bars shall be of high conductivity electrolytic aluminum supported on insulators made of non-hygroscopic, non-inflammable material with tracking index equal to or more than that defined in Indian standards.	Vendor to Confirm

TECHNICAL SPECIFICATION FOR COMPACT SUB STATION – PART B

SI No	Description	Vendors offer
1.7.1	The main bus bars shall have uniform current ratings throughout their length as specified in the specification. The current rating of the neutral shall be half that of the bus phase bars. Removable neutral links shall be provided on feeders for easy isolation of the neutral bus Bar.	Vendor to Confirm
1.7.2	Both horizontal and vertical bus bars, bus joints and supports shall be capable of withstanding dynamic and thermal stresses of the specified short circuit currents.	Vendor to Confirm
1.7.3	Only zinc passivated or cadmium plated high tensile strength steel bolts, nuts and washers shall be used for all bus bar joints and supports.	Vendor to Confirm
1.7.4	All bus bars shall be insulated with heat shrunk PVC sleeves of 1100 V grade. Red, yellow and blue colour shall be used for phase bus bars and black colour shall be used for neutral bus bars. Alternatively, colour bands at suitable intervals along PVC sleeved bus bars may be provided. Removable type shrouds shall be provided for joints.	Vendor to Confirm
1.7.5	Minimum clearance between live parts, between live parts/neutral to earth shall be 19 mm. However clearances between terminals at components shall be as per applicable individual standards for components	Vendor to Confirm
1.8.0	Wiring and Terminals	
1.8.1	Inside the cubicles, the wiring for control, signaling, protection and instrument circuits shall be done with BIS approved, PVC insulated copper conductor wire. The insulation grade shall be 1100 V. The wiring shall preferably be enclosed in plastic channels or neatly bunched together.	Vendor to Confirm
1.8.2	PVC insulated copper conductor of cross section 1.5 or 2mm may normally be used for the control fuse rating is 10 A or less. For 16 A controls fuse circuit 2.5 mm ² copper conductors shall be used. Each wire shall be terminated at a separate terminal. CT circuit wiring shall be done with 2.5mm ² copper conductors.	Vendor to Confirm
1.8.3	Shorting links/suitable-shortening arrangement for shorting CT secondary shall be provided	Vendor to Confirm
1.8.4	Each wire shall be identified at both ends by PVC ferrules.	Vendor to Confirm
1.8.5	Inter panel wiring within each shipping section shall be switchboard vendor's Responsibility. For wiring between shipping sections, vendor shall provide terminal blocks on adjoining shipping sections and supply suitable jumpering wires. Inter-panel wiring shall be taken thorough PVC sleeves or rubber grommets	Vendor to Confirm
1.8.6	A minimum of 10% spare terminals shall be provided on each terminal block	Vendor to Confirm
1.8.7	Conductors shall be terminated with adequately sized compression-type lugs for connection equipment terminals and strips. Sufficient terminals shall be provided on each terminal block to ensure that not more than one outgoing wire is connected per terminal	Vendor to Confirm

SI No	Description	Vendors offer
1.8.8	Terminal strips shall preferably be separated from power circuits by metal barriers or enclosures. All spare contacts of auxiliary relays, timers, etc shall be wired up to the terminals.	Vendor to Confirm
1.9.0	Earthing	
1.9.1	All panels shall be connected to a tinned copper earth bus bar running throughout the length of the switchboard.	Vendor to Confirm
1.9.2	Minimum earth bus size shall be 50x6mm ² copper for fault level above 31.5kA.	
1.9.3	All doors and movable parts shall be earthed, using flexible copper connections, to the fixed frame of the switchboard. Provision shall be made to connect the earthing bus bar to the plant-earthing grid at two ends.	Vendor to Confirm
1.10.0	Name plate: A nameplate with the switchboard designation shall be fixed at the top of the central panel. As separate nameplate giving details for each feeder compartment of all panels shall be provided. Danger nameplate shall be provided at the front and rear of each panel.	Vendor to Confirm
1.10.1	Nameplate or polyester adhesive stickers shall be provided for each equipment mounted inside the switchboard. Special warning plates shall be provided on removable covers or doors giving access to cable terminals and bus bars.	Vendor to Confirm
1.11.0	Painting	
1.11.1	After preparation of the under surface, the switchboard shall be spray painted with two Coats of epoxy based final paint or shall be powder coated.	Vendor to Confirm
1.11.2	Colour shade of final paint shall be RAL 7032, unless and otherwise specified.	Vendor to Confirm
1.12.0	Circuit Breaker Compartment	
1.12.1	There shall be three positions for the draw out trolley viz: “Service” position – In this position both power and control circuits shall be connected. <ul style="list-style-type: none"> • This shall be the normal operating position of the circuit breaker. • “Test” position – The power contacts shall be disconnected in this position but the control connections shall not be disturbed, testing provision for the entire control circuitry shall be available in test mode including close and trip of breakers. • “Draw out” Position – both power and control circuits shall be disconnected in this position and breaker removed from the cubicle. 	Vendor to Confirm

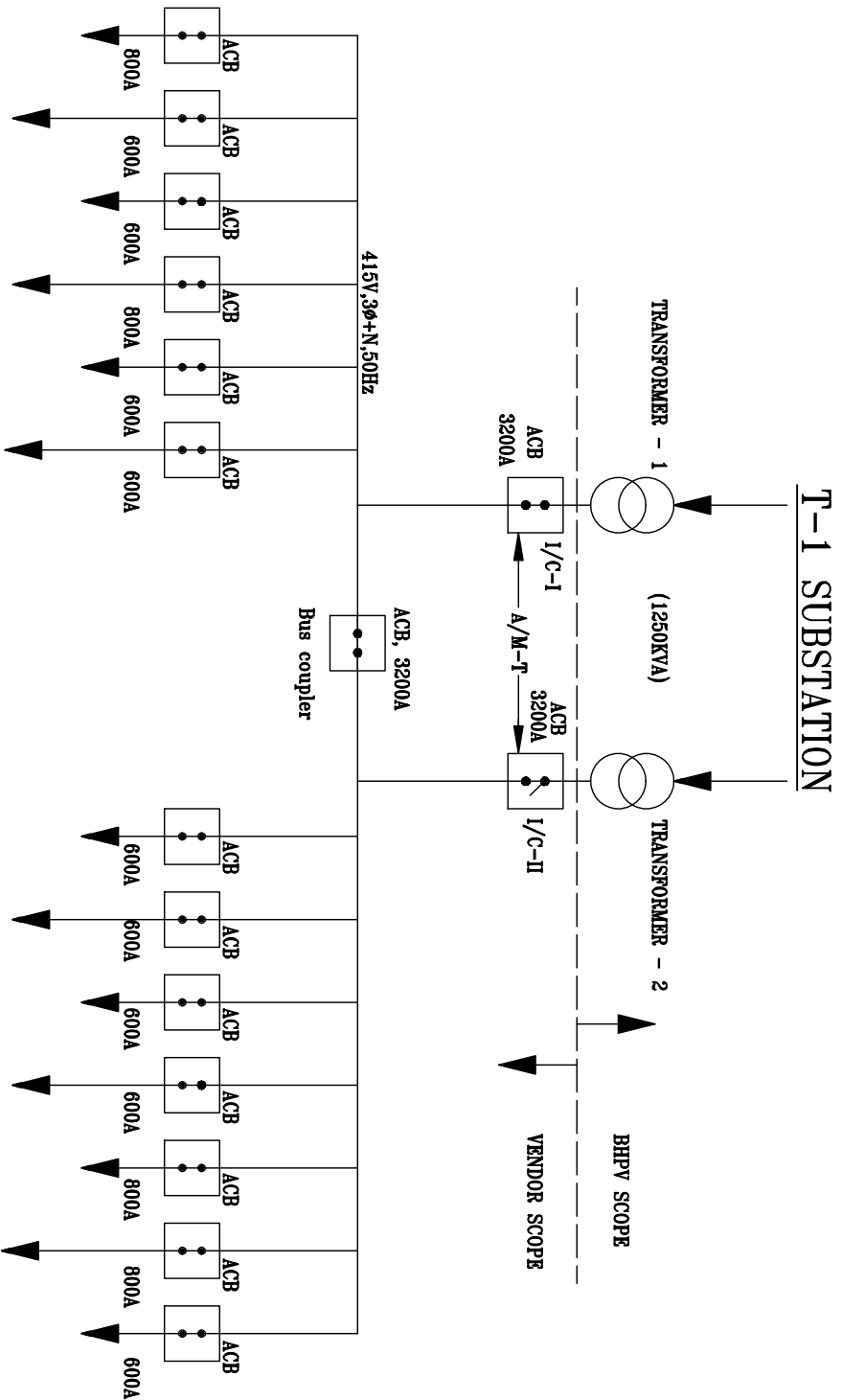
TECHNICAL SPECIFICATION FOR COMPACT SUB STATION – PART B

SI No	Description	Vendors offer
1.12.2	The circuit breaker shall be lockable in “service” and “test” positions. Safety shutters shall be provided when the breaker is in withdrawn/draw out position.	Vendor to Confirm
1.12.3	The earth connection must remain connected in “Test” position	Vendor to Confirm
1.12.4	Compartment doors shall be interlocked against opening when breaker is in closed condition. However, it shall be possible to defeat this interlock for inspection.	Vendor to Confirm
1.12.5	It shall be possible to operate a circuit breaker only in the defined “Full in” or “service” and” test’ position inside the panel. It shall not be possible to operate the breaker in intermediate positions while inserting or withdrawing circuit breaker.	Vendor to Confirm
1.12.6	The circuit breakers shall be provided with mechanically operated emergency tripping device. This device shall be available on the front of the panel. Mechanically operated ‘closing’ device shall be provided for all breakers. However mechanical closing shall be inhibited for all breakers in service position	Vendor to Confirm
2.0	INSPECTION, TESTING AND ACCEPTANCE	
2.1.1	During fabrication, the switchgear shall be subject to inspection by BHPV or by an agency authorized by BHPV. The manufacturer shall furnish all necessary information concerning the supply to BHPV inspectors.	Vendor to Confirm
2.1.2	All routine and acceptance tests shall be carried out at manufacturer’s work under his care and expense	Vendor to Confirm
2.1.3	Type tests, if specified shall be performed. Short circuit test shall be performed at CPRI or equivalent approved testing agency and heat run test may be performed at manufacturer’s works. Heat run test shall be performed at least on one incomer and two outgoing vertical panels of the ordered switchboard	Vendor to Confirm
2.1.4	Type and shop tests shall be witnessed by an inspector of BHPV or an agency authorized by BHPV. Prior notice of minimum 4 weeks shall be given to the inspector for witnessing the tests.	Vendor to Confirm
2.1.5	Vendor to furnish QAP for approval after clear P.O.	Vendor to Confirm
2.1.6	Certified reports of all the tests carried out at the works shall be furnished in three copies.	Vendor to Confirm

TECHNICAL SPECIFICATION FOR COMPACT SUB STATION – PART B

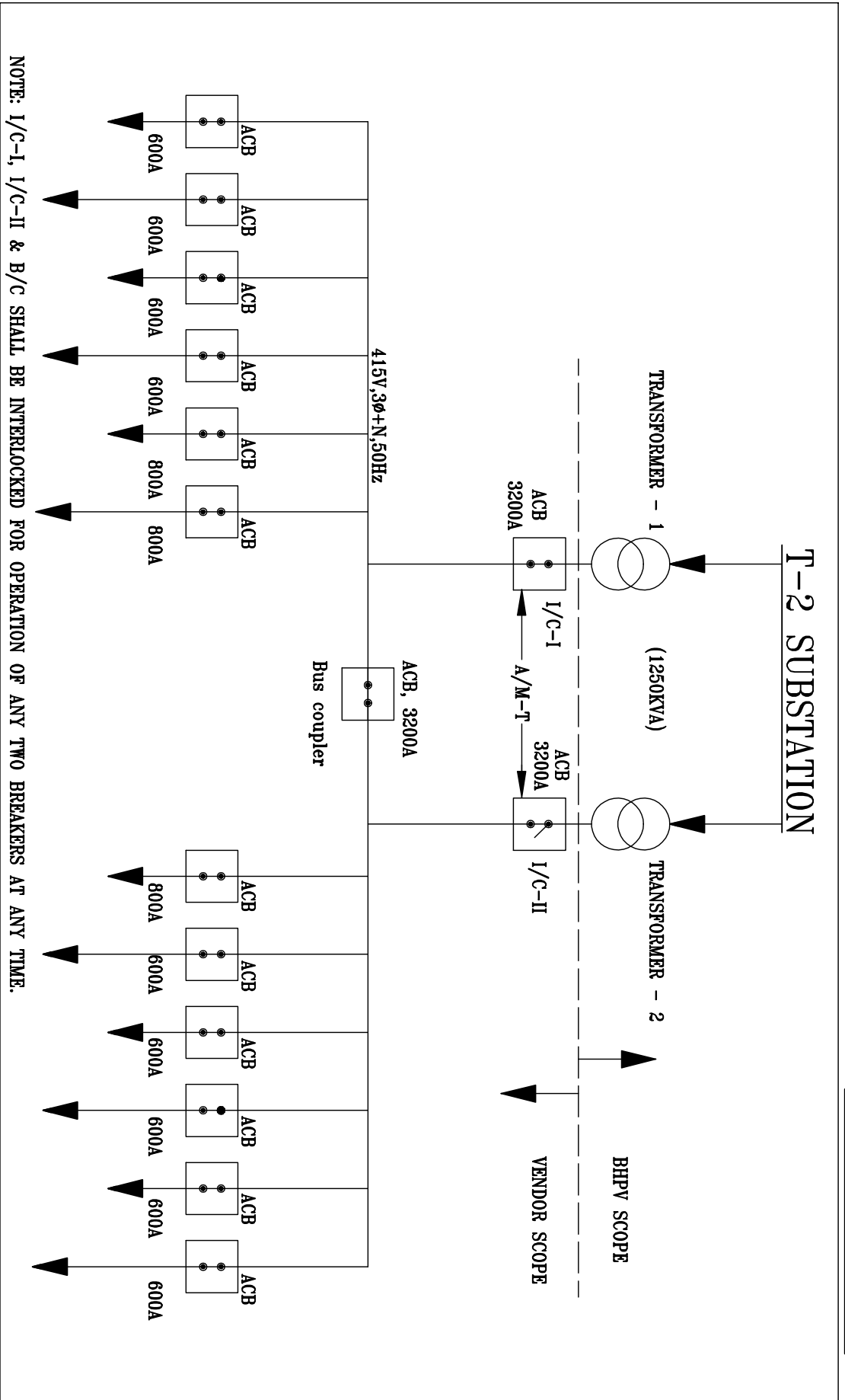
SI No	Description	Vendors offer
3.0	PACKING AND DESPATCH	
3.1.1	All the equipment shall be divided into several shipping sections for protection and ease of handling during transportation .The equipment shall be properly packed for selected mode of transportation i.e. by ship/rail or trailer. The panels shall be wrapped in polyethylene sheets before being placed in wooden crates /cases to prevent damage to the finish. Crates /cases shall have skid bottoms for handling. Special precaution notations such as ‘Fragile’, ‘This side up’, ‘Centre of gravity’, ‘weight’, Owner’s particulars, Purchase order number etc. shall be clearly marked on the package together with other details as per purchase order. The equipment may be stored outdoors for long periods before installation. The packing should be suitable for outdoor storage in areas with heavy rains and high ambient temperature unless otherwise agreed.	Vendor to Confirm
4.0	DOCUMENTATION :	
4.1.1	Three sets of following documents (Hard copies) and a soft copy in English language shall be supplied along with the panels.	Vendor to Confirm
4.1.2	O & M manuals.	Vendor to Confirm
4.1.3	Detailed Maintenance manual with all drawings of Electrical / circuit diagrams. All mechanical Assembly/ Sub Assembly Drawings shall be supplied with the part list also in English (3 sets).	Vendor to Confirm
4.1.4	Electrical schematic wiring diagram (3 sets).	Vendor to Confirm
4.1.5	The following documents shall be supplied along with the equipments: (a) Operational manual. (b) Electrical/Mechanical maintenance of the breakers/panels. (c) Electrical / Electronic maintenance and trouble shooting.	Vendor to Confirm
5.0.0	GUARANTEE	
5.1.1	Guarantee for complete machine and all supplied accessories / attachments / equipments / items for 12 months from the date of commissioning or 18 months from the date of supply whichever is earlier.	Vendor to Confirm
6.0	SPARES: Vendor should quote for two years operational spares separately with unit price for each.	Vendor to Confirm

ANNEXURE - I



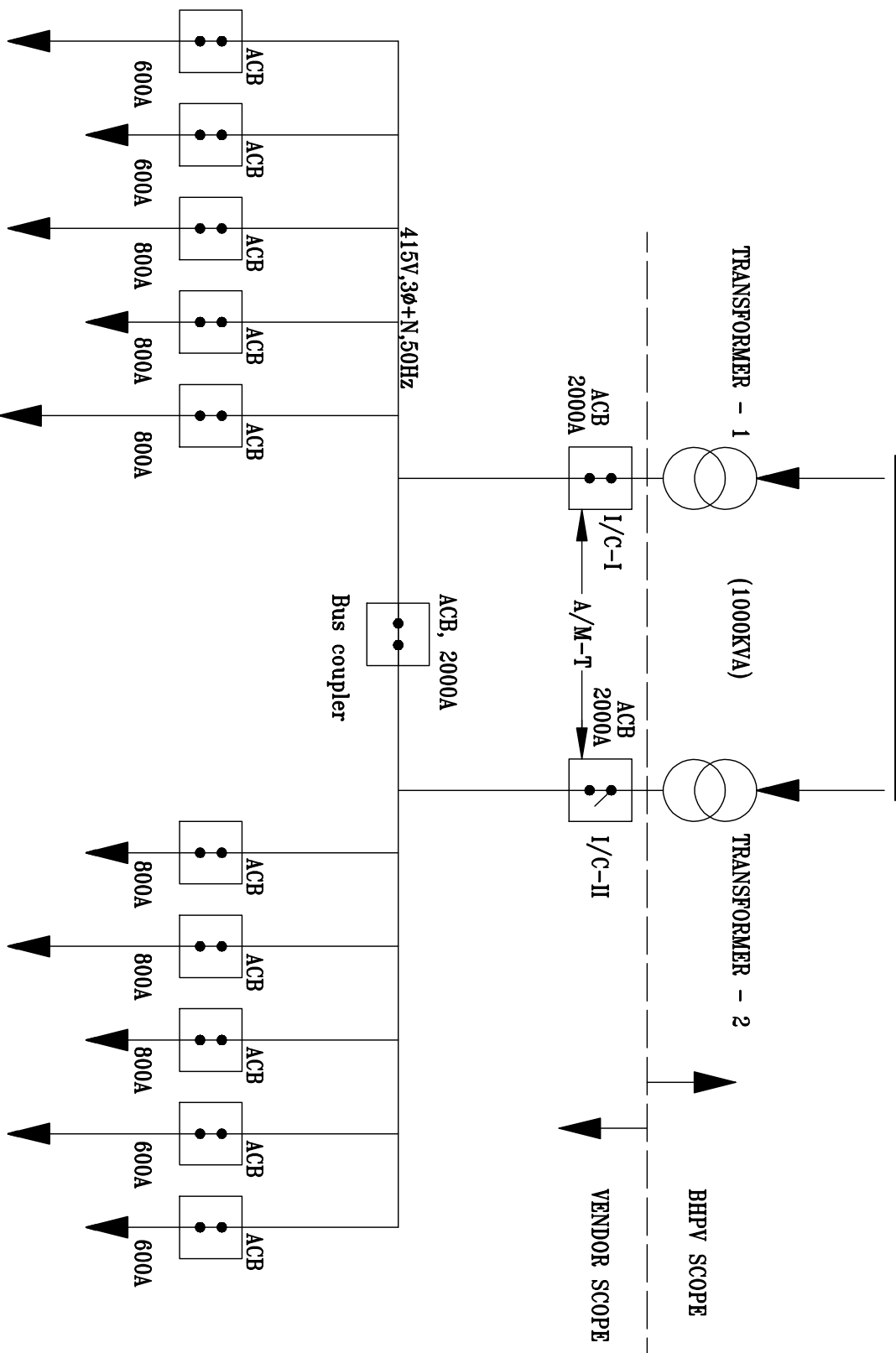
NOTE: I/C-I, I/C-II & B/C SHALL BE INTERLOCKED FOR OPERATION OF ANY TWO BREAKERS AT ANY TIME.

ANNEXURE - II



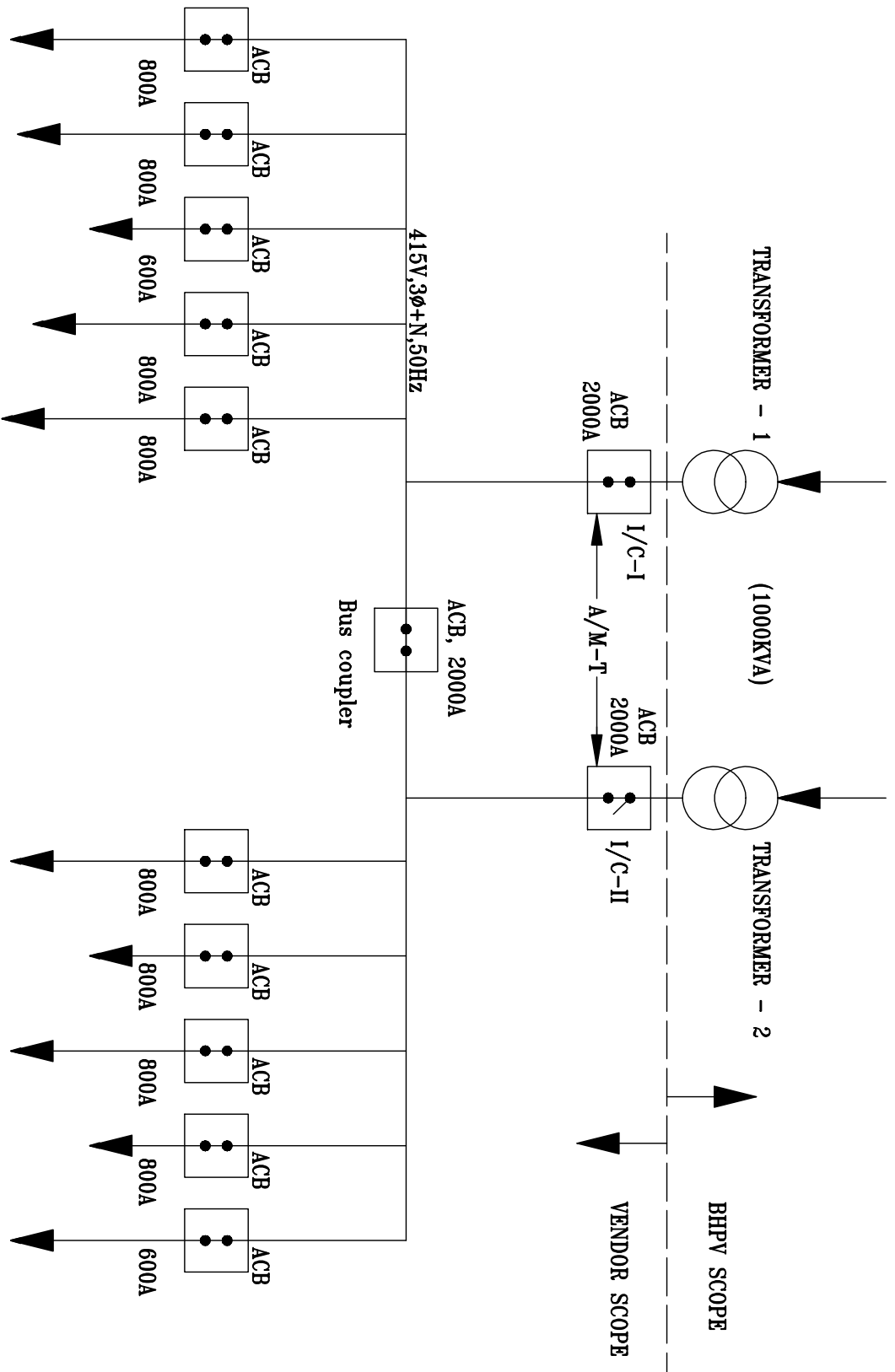
NOTE: I/C-I, I/C-II & B/C SHALL BE INTERLOCKED FOR OPERATION OF ANY TWO BREAKERS AT ANY TIME.

T-3 SUBSTATION



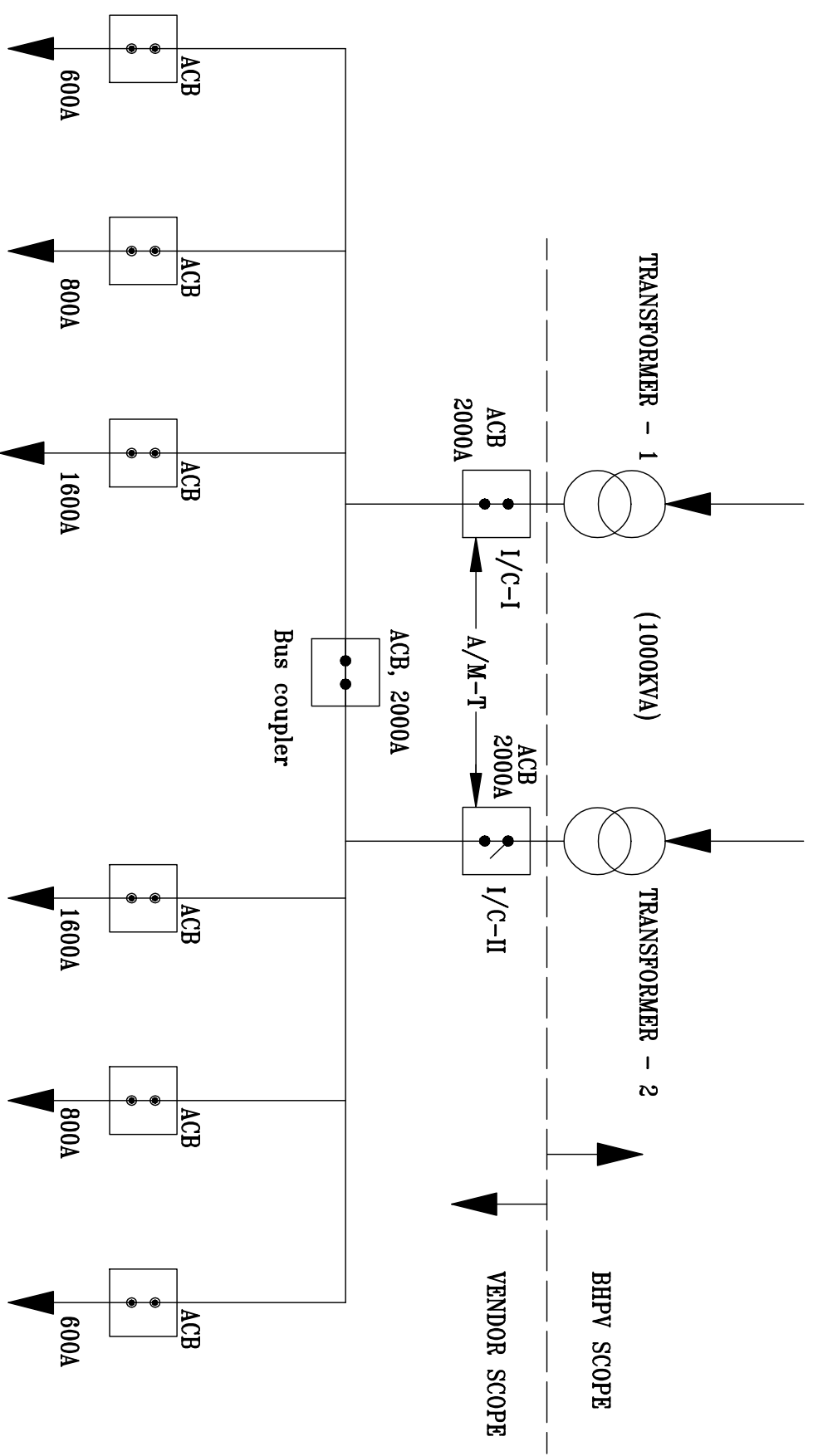
NOTE: I/C-1, I/C-II & B/C SHALL BE INTERLOCKED FOR OPERATION OF ANY TWO BREAKERS AT ANY TIME.

T-4 SUBSTATION



NOTE: I/C-I, I/C-II & B/C SHALL BE INTERLOCKED FOR OPERATION OF ANY TWO BREAKERS AT ANY TIME.

T-5 SUBSTATION



NOTE: I/C-1, I/C-II & B/C SHALL BE INTERLOCKED FOR OPERATION OF ANY TWO BREAKERS AT ANY TIME.

COMMERCIAL TERMS AND CONDITIONS FOR SUBMISSION OF OFFER**1.0 QUOTATIONS**

Bidders shall submit the offer in TWO INNER ENVELOPES as indicated below which shall be sealed in one outer envelope.

Envelope I: This sealed envelope should contain all the copies of technical bid together with un-priced commercial bid. This envelope should be clearly marked “**Part I – Technical and Un-priced commercial bid**” Indicating Tender No., Due Date and Address & Reference of the Bidder.

Envelope II: This sealed envelope should contain price details this envelope should be clearly marked “**Part II - Price bid**” indicating Tender No., Due Date and Address & Reference of the Bidder.

Both the envelopes (Part I & II) shall be put in one cover, duly sealed, super scribing as Part I and Part II of Tender No., due date of opening and the address and reference of the Bidder

The above offer should reach this office on or before the due date by 14.00 Hrs (IST)
Tender should not be addressed to any Individuals name but only designation to

Dy. General Manager (MM)
BHARAT HEAVY PLATE & VESSELS LIMITED
VISAKHAPATNAM - 530 012 (A P), INDIA.

Tenders should be free from CORRECTION AND ERASURES. Corrections if any must be attested. All amounts shall be indicated both in words as well as in figures. Where there is difference between amount quoted in words and figures, amount quoted in words shall prevail.

Offers should be in ENGLISH and accompanied by technical literature catalogue and detailed dimensional drawings in ENGLISH or otherwise the offers will not be considered.

2.0 PART I (TECHNICAL & UN-PRICED COMMERCIAL BID)**2.1 Technical**

This part shall include / indicate the following:

- 2.1.1. Offer should contain complete scope of supply with all technical details, specifications, delivery and other commercial terms and conditions.
- 2.1.2. Point by point confirmation for the Technical Specification enclosed is to be provided. If there are any deviations the same should be clearly specified. Offers received without conformation to our specification will be rejected.
- 2.1.3. List of customers to whom same or similar equipment have been supplied along with performance certificates to be enclosed.
- 2.1.4. Relevant catalogue to be attached.
- 2.1.5. List of spares parts (with part numbers) for two years operation and maintenance should be attached.
- 2.1.6. Information on shipping weight and cubage (length, width & height) to be provided
- 2.1.7. In case of foreign bidder offer, the Principal's technical offer only should be enclosed.

2.2 Un-Priced Commercial

This part shall include / indicate the following

- 2.2.1. Port of shipment / Station of dispatch
- 2.2.2. Terms of payment

- 2.2.3. FOB/FCA price along with freight charges up to Chennai port (for foreign bidders) Ex-works/FOR Dispatch Station price along with freight charges up to BHPV Visakhapatnam (for Indian bidders)
- 2.2.4. Taxes, Service tax & duties including Cess applicable.
- 2.2.5. Delivery Schedule
- 2.2.6. Filled-in check list to be enclosed
- 2.2.7. Offer validity
- 2.2.8. Country of origin
- 2.2.9. Percentage of agency commission if any along with a copy of Agency agreement The FOB/FCA/CFR Prices quoted shall include the agency commission.
- 2.2.10. A copy of "Un-Priced Part II 'i.e., a copy of the Price Bid without the price details to be enclosed.
- 2.2.11. BHPV is eligible for availing CENVAT / VAT credit on both inputs and capital inputs. The suppliers invoice should separately indicate the amount of duty / taxes and should invariably mention the following details:
 1. The Central excise registration number, range division and commission rate of the supplier's jurisdiction.
 2. The rate of duty and 8 digit central excise tariff heading of the item supplied.
 3. The TIN, VAT, CST registration number of the supplier.

The duplicate copy of the invoice is required for availing CENVAT credit and original copy for availing VAT credit, if purchased within the state.

In case of foreign bidders the duplicate copy of the electronic Bill of Entry along with TR6 challan should be made available for availing CENVAT credit on CVD, Cess (S) and SAD.

3.0 **PART II (PRICE – BID)**

This part should contain the schedule of price particulars and to be co-related to the technical details provided in Part-I

4.0 **OPENING OF TENDERS**

The Part I – Technical & un-priced commercial bid alone would be opened on the Tender opening date.

The Part II – Price bid of technically suitable Bidders alone would be opened. The Technically suitable Bidders would be informed about the Price Bid opening date. Clarifications if any required by BHPV FOR Technical evaluation / commercial evaluation would be sought from Bidders before opening of Part II – price bid.

GENERAL

- 5.1 Incomplete offers will not be considered.
- 5.2 **Fixed priced:** Prices quoted by the bidder shall be fixed and not subject to any escalation whatsoever during the period of bid validity and execution of the Purchase Order A bid submitted with an adjustable price will be treated as non- responsive and rejected Prices shall be written in words and figures. In the event of difference, the price in words shall be valid and binding. Unit prices shall be considered correct in the event of any discrepancy with regards to total price.
- 5.3 **Bid currency:** Indian bidders should submit the prices only in Indian Rupees. Foreign bidders may submit their bid in their home currency, which should be clearly indicated in the un-priced commercial bid as well as in the price bid. Price bid opening date/ RA date will be considered as effective date for considering exchange rate to evaluate the offers.
- 5.4 **Terms of Delivery:** Bidders are required to quote their best delivery period. Foreign Bidders should submit their offer for net FOB/ FCA – Nearest Sea Port / Air Port as well as CFR / Chennai Seaport/ Airport. Freight charges up to Chennai port to be indicated separately. Indian Bidders should submit their offer for Dispatching station as well as FOR BHPV Visakhapatnam basis. Freight charges from works to BHPV Visakhapatnam to be indicated separately. Delivery from the date of Letter of Intent to be mentioned in the offer.

5.5 **Taxes and Duties:** All Taxes and Duties payable as extra to the quoted price should be specifically stated in offers along with CST & TIN No/ Tariff No. etc, failing which the purchaser will not be liable for payment of such Taxes and Duties (Our TIN No.28280189432, APGST No. VSP/04/1/1023 dated 24.08.1968. CST No.VSP/04/1/1012 dated 24.08.1968 & BHPV ECC No AAA CB 7076 N-XM001. Assessment circle Visakhapatnam.)

5.6 **Validity:** The offers for main equipment and spares shall be kept open for acceptance for a period of 120 days (one hundred and twenty days) from the dates of opening of the tender (part I)

5.7 Terms of Payment:

5.7.1 Indian Bidders:

5.7.1.1 BHEL, Trichy on behalf of BHPV (Subsidiary of BHEL) will arrange for an irrevocable, usance Letter of Credit (60 days from date of dispatch) after receipt of Inspection release note and against presentation of documents for 80% of payment (80% of basic price + 100% Taxes). And balance 20% of payment will be made after acceptance of material/commissioning of the equipment at BHPV, Visakhapatnam and on submission of Performance Bank Guarantee.

5.7.1.2 Documents to be submitted by Indian Bidders for negotiating LC:

1. Original Invoice in triplicate in the name of BHPV.
2. Original LR in the name of the LC issuing Bank
3. Original packing list in triplicate in the name of BHPV.
4. Original Test certificate in triplicate in the name of BHPV.
5. Inspection release Note.
6. One original Bank guarantee, if applicable in favour of BHPV.
7. Certificate issued by the beneficiary certifying that the materials dispatched and shown in the packing list are not less than that invoiced.
8. Insurance for 100% of the commercial invoice value made out in the name of LC issuing bank, covering all risks.
9. Any other conditions/documents as mentioned in the Purchase Order.

5.7.1.3 Additional conditions for Indian Bidders:

1. **Liquidated damages:** Delivery of the goods specified in the purchase order should be made within the time prescribed. Failure to dispatch the materials in the time as per the delivery quoted in our Purchase Order would make the supplier liable to an un-conditional penalty at the rate of ½% of the value of goods for each week of delay subject to a maximum of 10% of the Purchase Order value.
2. In the event of delayed presentation of documents beyond the validity for negotiation(Subject to acceptance of documents by Applicant), 5% of invoice value will be retained towards demurrage and other charges and the difference if any between actual charges and recovery will be settled between BHPV and beneficiary outside the purview of LC terms.

5.7.2 Foreign Bidders

An Irrevocable letter of Credit shall be established by BHEL, Trichy on behalf of BHPV (Subsidiary of BHEL) for 80% of FOB/FCA/CFR/ (excluding Indian Agent's commission) 2 months prior to shipment with a validity of 3 months and negotiation after shipment against shipping documents. Letter of Credit shall be opened through an authorized bank of BHEL in India. Balance 20% of FOB/FCA/CFR value shall be paid through sight draft on Commissioning & acceptance of the equipment at BHPV Visakhapatnam, against submission of 10% performance bank guarantee. All Bank charges outside India are to supplier's account. Lump sum erection and commissioning charges if any shall be payable after satisfactory erection & commissioning of the equipment by sight draft against certificate issued by the competent authority.

5.7.2.1 Documents to be submitted by Foreign Bidders for negotiating LC:

1. Original Invoice in triplicate in the name of BHPV.
2. Original bill of lading in triplicate in the name of the LC issuing bank.
3. Original packing list in triplicate in the name of BHPV.
4. One original certificate of origin.
5. Original Test certificate in triplicate in the name of BHPV.
6. Inspection release Note.
7. One original Bank guarantee, if applicable in favour of BHPV.
8. Certificate issued by the beneficiary certifying that one copy of non-negotiable documents comprising Bill of Lading, Invoice, Packing List, Certificate of country of origin and Test certificate sent to Port consignee.
9. Certificate issued by the beneficiary certifying that the materials shipped and shown in the packing list are not less than that invoiced.
10. Insurance for 110% of the commercial invoice value made out in the name of LC opening bank, covering all risks, clearly mentioning the name of claim settling agent in India. The claims will be settled in the same currency as that of LC.
11. Any other conditions/documents as mentioned in the Purchase Order.

5.7.2.2 Additional conditions for Foreign Bidders:

1. **Liquidated damages:** Delivery of the goods specified in the purchase order should be made within the time prescribed. Failure to dispatch the materials in the time as per the delivery quoted in our Purchase Order would make the supplier liable to an un-conditional penalty at the rate of ½% of the value of goods for each week of delay subject to a maximum of 10% of the Purchase Order value.
2. In the event of delayed presentation of documents beyond the validity for negotiation (Subject to acceptance of documents by Applicant), 5% of invoice value will be retained towards demurrage and other charges and the difference if any between actual charges and recovery will be settled between BHPV and beneficiary outside the purview of LC terms.

5.7.3 Common to both India & Foreign Bidders.

Erection & Commissioning (E&C) charges will be released after deduction of Income Taxes as per the Govt. of India rules. The TDS certificate will be issued by BHPV. Applicable service tax on E&C charges will be payable extra. The liability of depositing the same to the Govt. will be of the supplier.

- 5.7.4 Loading criteria common to both Indian and foreign bidders:** Vendor should accept the payment terms specified above. However for any deviation to the payment terms offered with reference to the above criterion will be loaded with prime lending rate of SBI prevailing on date of opening of price bid + %, which shall be computed for the differential period between BHPV terms of payment and the offered payment terms by vendor.

- 5.8 DUNS number (allotted by M/s. DUN & Bradstreet) shall be mentioned in your offer.
- 5.9 **Guarantee:** The equipment shall be guaranteed for a period of 18 months from the date of supply or 12 months from the date of commissioning and acceptance whichever is earlier.
Offers from vendors not accepting to the requested guarantee period will be rejected.
- 5.10 **Contract Execution Bank Guarantee (CEBG):** The successful tenderer shall furnish a Bank Guarantee from any Nationalized Bank for 5% of Purchase Order value (FOR Dispatching station value – Excluding taxes, duties, freight & insurance – for Indian bidders) & (FOB/FCA value – excluding freight & insurance – for foreign bidders) confirming that the order will be executed as per the terms and conditions and this should be valid till final dispatch date (LR/GR/BL/AWB) with additional 2 months claim period. Letter of Credit will be processed only after receipt of CEBG. The CEBG is to be furnished within 3 weeks from the date of Purchase order.
Offers from vendors not accepting to submit CEBG will be rejected.
- 5.11 **Performance Bank Guarantee (PBG):** The supplier shall furnish a Bank guarantee from any Indian Nationalized Bank approved by BHPV in the format, given by BHPV along with purchase order for 10% of the Purchase Order value (FOR Dispatching station value – Excluding taxes, duties, freight & insurance – for Indian bidders) & (FOB/FCA value – excluding freight & insurance – for foreign bidders) valid for period of guarantee with additional claim period of 2 months.
Offers from vendors not accepting to submit PBG will be rejected.
The CEBG & PBG shall be obtained from any Indian Nationalized Bank/ Scheduled Commercial Banks.
- 5.12 **Liquidated damages:** Delivery of the goods specified in the purchase order should be made within the time prescribed. Failure to dispatch the materials in the time as per the delivery quoted in our Purchase Order would make the supplier liable to an un-conditional penalty at the rate of ½% of the value of goods for each week of delay subject to a maximum of 10% of the Purchase Order value.
- 5.12.1 **Loading Criteria for Liquidated Damages:** Any deviation from above LD Clause to the extent for which LD is not agreed by the vendor i.e., differential % value will be loaded on basic price, e.g. If some vendor agrees for say maximum of 6% LD then his price will be loaded by 4% (10 – 6) of his quoted basic price.
- 5.13 **Risk purchase:** If the supplier fails to deliver the goods within the delivery specified in the Purchase Order, BHPV will be entitled to terminate the contract and to purchase elsewhere at the risk and cost of the seller either the whole of the goods or any part which the supplier has failed to deliver or dispatch within the delivery period mentioned in the Purchase Order.
Offers from vendors not accepting the above Risk Purchase terms will be rejected.
- 5.14 **Indian Agent & Agency commission:** An Indian Agent can represent only one Foreign Manufacturer against a particular Tender. The FOB/FCA/CFR price quoted by the Foreign bidder shall include the agency commission. However, the agency commission component payable to their Indian Agents shall be shown separately in the offer. This will be paid by BHPV in India Rupees, on satisfactory commissioning & acceptance of the equipment. Copies of current Agency Agreement / Authorization Letter in respect of Agency Commission shall be furnished along with offer. For calculation of Rupee equivalent of Agency Commission exchange rate as prevailing on the date of Purchase Order will be taken.
- 5.15 **Short shipment / Warranty replacement:** In case of any short shipment in the main equipment / spares, customs duty levied on such supplies, shall be borne by the supplier. Any warranty replacement during the warrantee period shall be on FOR, BHPV - Visakhapatnam, basis.

- 5.16 **Inspection & Testing:** All goods shall be subject to inspection by BHPV or its authorized representatives at supplier's works or at BHPV stores. The supplier will not charge for the facilities provided for inspection of goods. In case of machine tools the machine would be inspected and proved at supplier's works prior to dispatch however, final inspection and acceptance of the machine will be carried after installation of the machine at BHPV, Visakhapatnam.
- 5.17 **Operating and Maintenance manuals:** The Bidders shall clearly mention in their offer that Operating Maintenance Manuals as called for in the Technical Specification in the required number of copies will be provided.
- 5.18 **Cenvat & VAT credit. (for Indian Bidders only):** The quotation must indicate Tariff item number and rate of Excise Duty applicable. The original Excise Duty Gate Pass will be required to be furnished in case charges to us. If the bidder is availing Cenvat credit for his input materials, the effect of proforma credit should be passed on to the purchaser.
- 5.19 **Packing:** The Supplier shall arrange for packing suitably in all respects considering the peculiarity of the material involves for normal transport by sea / air / rail road and suitably protected against effect of tropical salt laden atmosphere in the event of shipment being delayed at ports.
- 5.20 **Salient Points of HSE** (Health, Safety & Environment) that are to be considered while submissions of offer are:
- 5.20.1 Consumption benchmarks related to output shall be provided wherever applicable for key input resources (energy/fuels/chemicals)
- 5.20.2 Competency requirements for operation, maintenance and calibration, if any, shall be communicated
- 5.20.3 If any Hazardous chemicals as per MSIHC (Manufacturing, Storage and import of Hazardous Chemicals) Rules 1989/94/2000 are used, the MSDS shall be provided, along with on site & OFF site emergency plan (as applicable).
- 5.20.4 The noise level at operator level shall be within 90 Dba
- 5.20.5 OH&S (Occupational Health and Safety) control measures for safe working of machine as applicable shall be specified
- 5.20.6 The machine/equipment shall be fitted with guard for rolling and moving parts and shall comply with applicable OH&S legislations and Factories Act 1948
- 5.20.7 The supplier shall submit the layout drawing of operating controls, displays etc and operating instructions to enable ergonomics evaluation and approval
- 5.20.8 The recommended PPE (Personal Protective Equipment) for the equipment shall be furnished
- 5.20.9 Alarm System (both visual and audible) and Automatic switch off of the equipment shall be provided for any intrusion, overloading, short circuiting or any malfunctioning of the equipment.
- 5.20.10 Details of all hazardous / harmful substances discharges as by-products / wastes during operations of the machine / equipment, such as fumes, gases, dust particles, aerosols UV./IR (Ultra violet / Infra red) radiations, etc shall be furnished, along with their concentrations and their TLV, (Threshold Limit Value)

- 5.20.11 Appropriate pollution control measures shall be proposed to keep the emissions from the machinery / processes within the prescribed limit as stated in Environment Protection Rules 1986.
- 5.20.12 All furnaces, process units, DG sets, paint booths, shot blasting chambers, etc shall be provided with stack(s) of sufficient height as per guidelines laid down in the Environment Protection Rules 1986.
- 5.20.13 wherever industry specific standards are not available for control of pollutants, general emission standards shall be used
- 5.20.14 Chemicals banned due to their negative impact on the environment shall not be used on the process
- 5.20.15 Fuels with sulphur content less than 0.05% shall be proposed.
- 5.20.16 Details regarding nature of waste generated and appropriate disposal practices available shall be provided, along with the operation procedure of the plant / process.
- 5.20.17 Hazardous chemicals and flammable substances shall be transported only through authorized transporters and all safety practices as laid down in applicable legislative requirements such as Central Motor Vehicle Rules, Manufacture, Storage and Import of Hazardous Chemical 1989, etc. shall be followed.
- 5.20.18 Primary materials used in the equipment shall be specified and they shall be eco - friendly.
- 5.21 Evaluation of offers shall be on the basis of delivered cost (Net cash outflow to BHPV).
- 5.22 BHPV also reserves its right to allow to the Public Sector Enterprises ordering and price preference facilities as admissible under the existing policy.
- 5.23 BHPV reserves its right to reject a tender due to unsatisfactory past performance in the execution of a contract at another project / unit.
- 5.24 BHPV shall be at liberty to reject or accept any tender, part or in full, at their own discretion and any such action is not liable for any question or claim against BHPV.
- 5.25 BHPV reserves the right to go for a Reverse Auction (RA) instead of opening the submitted sealed bid, which will be decided after technical evaluation. Information and general terms and conditions governing RA are given below.

GENERAL TERMS AND CONDITIONS OF RA (REVERSE AUCTION)

Against this enquiry for the subject item/system with detailed scope of supply as per enquiry specifications. BHPV may resort to "REVERSE AUCTION PROCEDURE" i.e., ON LINE BIDDING ON INTERNET.

1. For the proposed reverse auction, technically and commercially acceptable bidders only shall be eligible to participate.
2. BHPV will engage the services of a service provider who will provide all necessary training and assistance before commencement of on line bidding on internet.
3. BHPV will inform the vendor in writing in case of reverse auction, the details of service provider to enable them to contact & get trained.

4. Business rules like event date, time, start price, bid decrement, extensions etc. also will be communicated through service provider for compliance.
 5. Vendors have to fax the Compliance form in the prescribed format (provided by Service provider) before start of Reverse auction. Without this, the vendor will not be eligible to participate in the event.
 6. BHPV will provide the calculation sheet (e.g., EXCEL sheet) which will help to arrive at “Total Cost to BHPV like Packing & Forwarding charges, taxes and Duties, Freight charges, Insurance, Service Tax for Services and loading factors (for non-compliance to BHPV standard Commercial terms & conditions) for each of the vendor to enable them to fill-in the price and keep it ready for keying in during the Auction.
 7. Reverse auction will be conducted on scheduled date & time.
 8. At the end of Reverse Auction event, the lowest bidder value will be known on the network.
 9. The lowest bidder has to Fax the duly signed Filled-in prescribed format as provided on case-to-case basis to BHPV through Service provider within 24 hours of Auction without fail.
 10. Any variation between the on-line bid value and the signed document will be considered as sabotaging the tender process and will invite disqualification of vendor to conduct business with BHPV as per prevailing procedure.
 11. In case BHPV decides not to go for Reverse Auction procedure for this tender enquiry, the Price bids and price impacts, if any, already submitted and available with BHPV shall be opened as per BHPV’s standard practice.
- 5.26 **Force Majeure clause:** If at the time during the continuance of this contract the performance in whole or in part by either party of any obligations under this contract shall be prevented or delayed by reason, of any war, hostilities, acts of the public enemy, civil commotion, sabotage, fires, explosions epidemics, quarantine, restrictions or acts of GOD (hereinafter referred to as events) then provided notice of happening of any such events is given by either party to other within twenty one days from the date of occurrence thereof neither party shall reason of such events be entitled to terminate this contract nor shall either party have any such non performance and delay is resumed as soon as practicable after such events has come to an end or ceased to exist, if the performance in whole or part of any obligation under this contract is prevented or delayed by reason or any such event claims for extension of time shall be granted for period considered reasonable by the purchaser subject to prompt notification by the seller to the purchaser of the particulars of the events and supply to the purchaser if required of any supporting evidence. Any waiver of time in respect of partial installment shall not be deemed to be a waiver of time in respect of remaining deliveries.

CHECK LIST

Bidder's acceptance to BHPV's Standard Commercial Terms & Conditions.

Applicable for Indian bidders

(To be submitted along with the offer – please do not change the format)

BHPV Tender No: & Date:	Bidders Confirmation / response
Prices have been quoted on "FIRM PRICE" basis only (Yes / No)	
Prices have been quoted on "F.O.R BHPV" basis only (Yes / No)	
P & F (Please confirm whether included or not)	
Freight (Please confirm whether included or not)	
Insurance (Please confirm whether included or not)	
Validity of offer (we require a minimum period of 120 days from the date of Tender Opening – please Specify)	
Sales Tax (please Specify)	
Excise Duty (please Specify)	
Delivery period from the date of Purchase Order (please Specify). A loading @ ½ % of the Purchase Order value per week will be done for the grace period requested. For evaluation 4 weeks will be considered as one month. Vendors quoting a delivery period beyond the 'the requested delivery plus the allowed grace period' is liable for rejection.	
Liquidated damages as per clause 5.12 (we require acceptance to @ ½% per week subject to a maximum of 10%) (Yes / No)	
Risk Purchase as per clause 5.13 (Yes / No) (Offers from vendors not accepting the Risk Purchase terms will be rejected)	
Payment terms (As per Clause No. 5.7.1) (Yes / No)	
Contract Execution Bank Guarantee (CEBG) as per Clause 5.10 (Yes / No) (Offers from vendors not accepting to submit CEBG will be rejected)	
Performance Bank Guarantee (PBG) as per Clause 5.11 (Yes / No) (Offers from vendors not accepting to submit PBG will be rejected)	
Guarantee as per clause 5.9 (The equipment shall be guaranteed for a period of 18 months from the date of supply or 12 months from the date of commissioning and acceptance whichever is earlier) (Yes / No) (Offers from vendors not accepting to the guarantee period will be rejected)	
Inspection (please Specify the Place of Inspection)	
Erection & Commissioning/ Installation/ Training (Please confirm whether charges are included in the total cost or not)	
Approximate Net Weight of the total Consignment	
Approximate Gross Weight of the total Consignment	

Signature & Office Seal of the bidder

CHECK LIST

Bidder's acceptance to BHPV's Standard Commercial Terms & Conditions.

Applicable for foreign bidders (To be submitted along with the offer – please do not change the format)

BHPV Tender No: & Date:	Bidders Confirmation / response
Prices have been quoted on "FIRM PRICE" basis only (Yes / No)	
Prices basis (FOB/CFR/CIF – Please Specify)	
Insurance (Please confirm whether included or not)	
Validity of offer (we require a minimum period of 120 days from the date of Tender Opening – please Specify)	
Currency in which quoted (please Specify)	
Port of loading (please Specify)	
Country of Origin (please Specify)	
Delivery period from the date of Letter of Intent (please Specify) A loading @ ½ % of the Purchase Order value per week will be done for the grace period requested. For evaluation 4 weeks will be considered as one month. Vendors quoting a delivery period beyond the 'the requested delivery plus the allowed grace period' is liable for rejection.	
Liquidated damages as per clause 5.12 (we require acceptance to @ ½% per week subject to a maximum of 10%)	
Risk Purchase as per clause 5.13 (Offers from vendors not accepting the Risk Purchase terms will be rejected) (Yes / No)	
Payment terms (As per Clause No. 5.7.2)	
Agency commission (refer clause 5.14)	
Contract Execution Bank Guarantee (CEPG) as per Clause 5.10 (Yes / No) (Offers from vendors not accepting to submit CEBG will be rejected)	
Performance Bank Guarantee (PBG) as per Clause 5.11 (Yes / No) (Offers from vendors not accepting to submit PBG will be rejected)	
Guarantee as per clause 5.9 (The equipment shall be guaranteed for a period of 18 months from the date of supply or 12 months from the date of commissioning and acceptance whichever is earlier). (Offers from vendors not accepting to the requested guarantee period will be rejected) (Yes / No)	
Inspection (please Specify)	
Erection & Commissioning/ Installation/ Training (Please confirm whether charges are included in the total cost or not)	
Dimension of the Largest Part (please Specify)	
Packing Schedule (No of containers and their Sizes) (please Specify)	
Approximate Net Weight of the total Consignment (please Specify)	
Approximate Gross Weight of the total Consignment (please Specify)	

Signature & Office Seal of the bidder