

BHARAT HEAVY ELECTRICALS LIMITED,  
(A Government of India Enterprises)  
Heavy Plates & Vessels Plant  
Visakhapatnam – 530 012 INDIA.  
Web Site: [www.bhelviz.co.in](http://www.bhelviz.co.in)



Phone : +91(0891) 6681309, 494  
+91(0891) 6681396  
Fax : +91(0891) 6681700  
E-Mail : [skmishra@bhelviz.co.in](mailto:skmishra@bhelviz.co.in)

**NOTICE INVITING TENDER( NIT)**

**Category of Tender: TWO BID  
(PRICED + UN - PRICED)**

**SUB: MECHANICAL ITEMS FOR 40/10T  
AND 60/10T EOT CRANES**

Our Ref: **MM/2/10/4061/CAP/W-054/5054**

**DATE: 22.05.2015**

Sealed quotations in duplicate are invited from suppliers on **or before 17.06.2015 SUPERSCRIBING OUR REFERENCE AND CATEGORY OF TENDER** on the cover, for supply of the under mentioned stores within the above due date, otherwise send **REGRET LETTER**, strictly subject to the Terms & Conditions attached herewith.  
**LATE TENDERS ARE NOT ACCEPTABLE.**

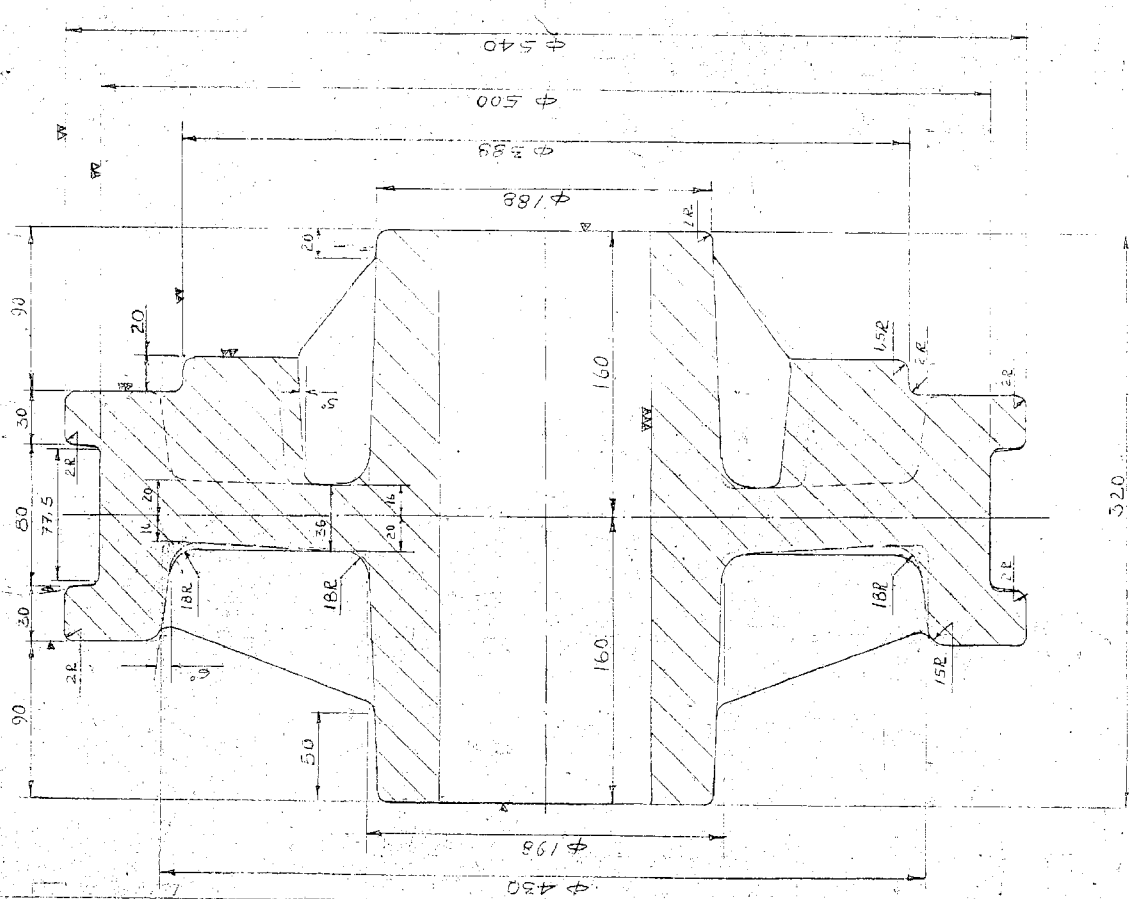
ITEM No.	DESCRIPTION / SPECN. / SIZE	QTY
1.	Mechanical items for 40/10T and 60/10T EOT Cranes	<b>Lot</b>
	<b>Encl:</b>  1. <b>LIST OF ITEMS &amp; DRAWING FOR 40/10T EOT</b> ..... 24 Pages 2. <b>General Terms/ commercial terms and conditions (INCLUDING CHECK LIST)</b> ..... 9 Pages	

For BHARAT HEAVY ELECTRICALS LIMITED,

**MANAGER ( MP-Misc. & CPS )**

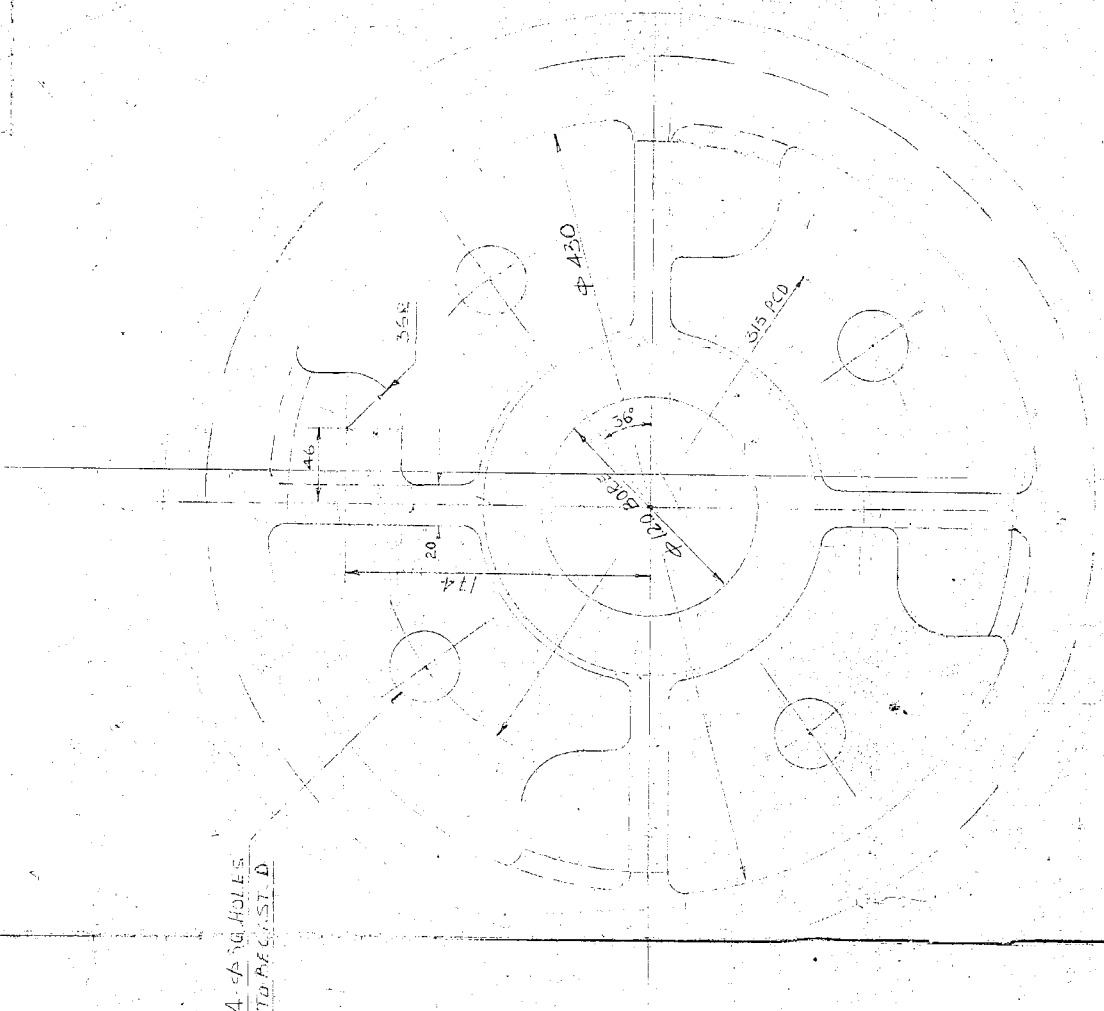
	<u>DESCRIPTION</u>	<u>TYPE</u>	<u>DRAWING No.</u>	<u>QTY.</u>
1	LT & CT Driving wheels for 40/10t EOT crane	40/10T	M <sub>2</sub> /489/G <sub>18</sub> -21	4
2	CT wheel pin & bush for 40/10T EOT crane	40/10T	M <sub>3</sub> /3469/G <sub>18</sub> --239	4
3	LT wheel pin and bush for 40/10t EOT crane	40/10T	M <sub>3</sub> /3516/G <sub>18</sub> --240	8
4	Ring gear for long travel wheel for 40t EOT Crane	40T	M <sub>2</sub> /56/G <sub>18</sub> -5	2
5	Ring gear for cross travel wheel for 40/10T EOT Crane	40T	M <sub>2</sub> /494/G <sub>18</sub> -25	2
6	brake down for LT 40T Eot crane	40T	M <sub>4</sub> /524/G <sub>13</sub> -28	1
7	AH Bottom block pulley for 40T EOT crane	40T EOT	M <sub>3</sub> /3544/G <sub>18</sub> --247	2
8	AXLE	60/10	M <sub>3</sub> /859/G <sub>18</sub> -37	2
9	LT & CT Driving wheels for EOT crane	60/10T	M <sub>2</sub> /486/G <sub>13</sub> -22	20
10	Ring gear for 60/10T LT & CT and 20/5T long Travel wheels	60/10T	M <sub>2</sub> /491/G <sub>13</sub> -24	4
11	long travel pinion for 60/100T EOT Crane(28.2mt.shaft)	60/10T	M <sub>4</sub> /1407/G <sub>18</sub> -88	4
12	Cross travel pinion for 60/10t EOT crane(28.2 mt spares)	60/10T	M <sub>4</sub> /1409/G <sub>18</sub> -90	4
13	m.H and pinion for 60/10t EOT crane(28.2mt spares)	60/10T	M <sub>4</sub> /1410/G <sub>18</sub> -91	2
14	brake drum of main hoist for 60T EOT crane	60T	M <sub>3</sub> /1111/G <sub>18</sub> -61	4
15	Brake drum for Auxiliary Hoist(first coupling)for 60T EOT crane	60T	M <sub>3</sub> /1197/G <sub>18</sub> -80	2
16	Brake drum for cross travel for 60T EOT crane	60T	M <sub>3</sub> /1200/G <sub>18</sub> -83	2
17	60T long travel Break drum	60T	M <sub>3</sub> /2078/G <sub>18</sub> --130	2
18	A.H pulley for 60T crane	60T	M <sub>3</sub> /2709/G <sub>18</sub> --168	2
19	Pulley for snatch block 60T EOT crane	60T EOT	M <sub>3</sub> /3333/G <sub>18</sub> --224	4
20	Gear & Pinion for 60/10T EOT crane	60T EOT	M <sub>3</sub> /3334/G <sub>18</sub> --225	2
21	LT input shaft pinion for 60T EOT crane	60T EOT	M <sub>4</sub> /3340/G <sub>18</sub> --226	4
22	LT output shaft for 60T EOT crane	60T EOT	M <sub>3</sub> /3421/G <sub>18</sub> --235	2
23	Φ110 plummer block for EOT cranes	EOT	M <sub>2</sub> /868/G <sub>13</sub> -43	6

ALL DIMENSIONS ARE IN MM  
UNLESS OTHERWISE STATED



1. TYPICAL SINGLE PROJECTION  
2. DO NOT SCALE  
3. SEE REFERENCE DRAWING

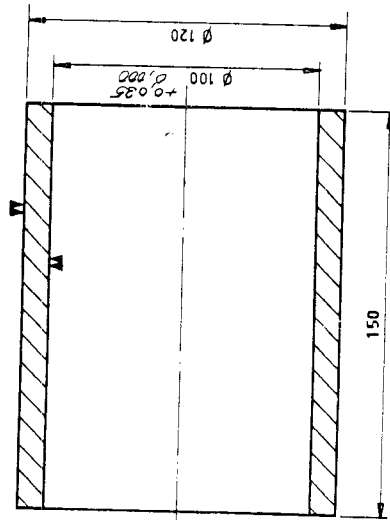
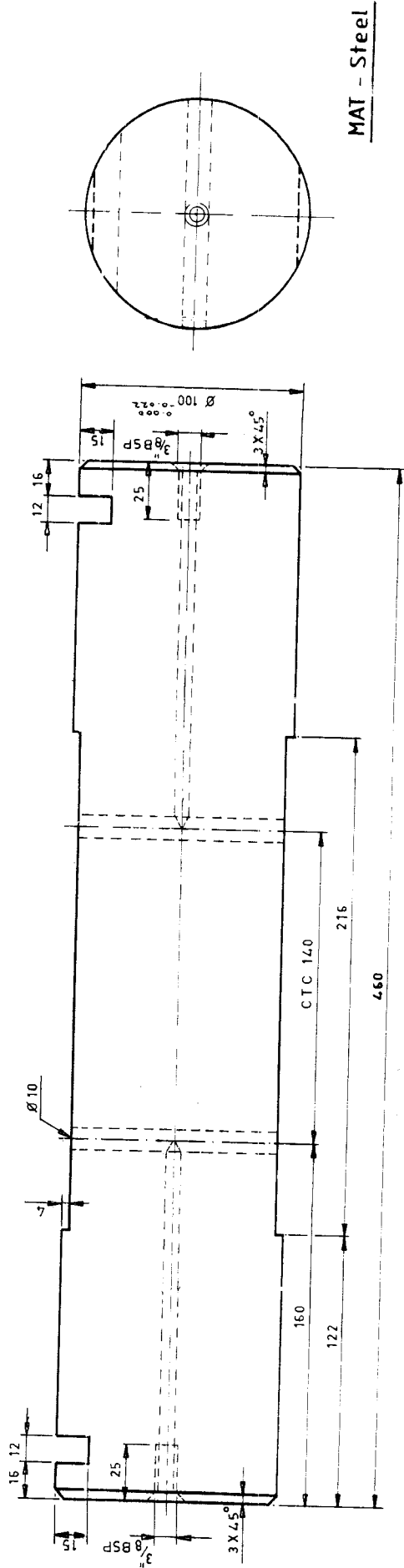
MIL. CR.  
SOP



4-Ø 114 HOLES  
TO P.F.C. STD.

BERRY HEAVY PLATE & VESSELS LTD.		VISAKHAPATNAM	
PLAN	LT & CT DRIVING	DATE	14.12.21
REVISION		DRAWN	
NO.	WIPES FOR 40/607 FOR CRANE	CHECKED	
BY		DATE	
APPD		SCALE	M:1





ITEM No.	DESCRIPTION	MATL./SPEC.	QTY.	REMARKS.
	<b>BHARAT HEAVY PLATE &amp; VESSELS LTD.</b> VISAKHAPATNAM - INDIA			
PLANT MAINTENANCE				
DGN.				
DRN.	KRISHNA			
CHD.	62-14-2k			M/C. TYPE
APRD.				INV. No.
				SCALE.
				SIZE.
				DRAWING No.
				1:2
				A <sub>3</sub>
				M <sub>3</sub> / 3516 / G18 - 240

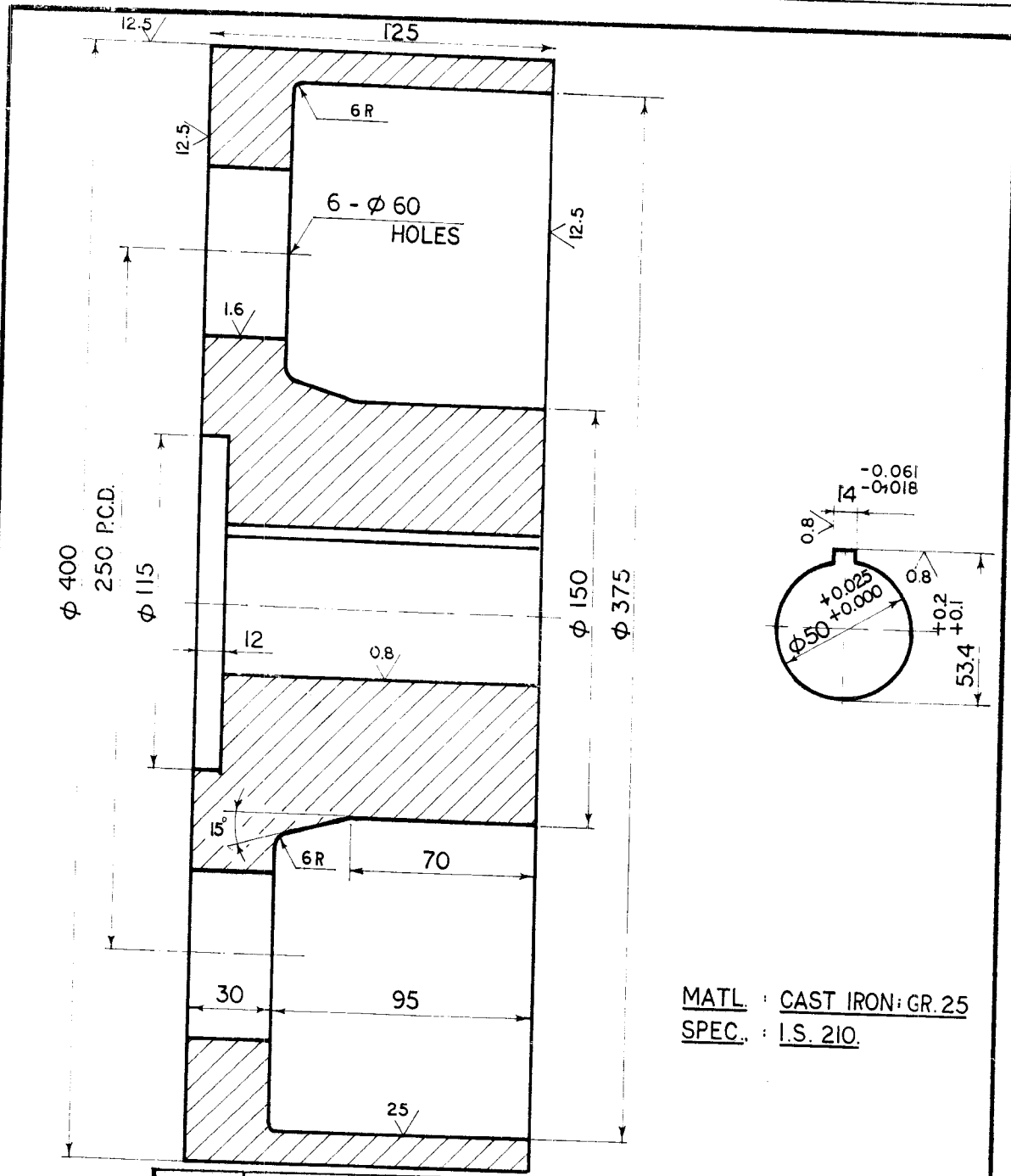
ROUGH MACHINING  
FINE MACHINING  
GRINDING OR EQUIVALENT

ALL DIMENSIONS ARE IN MILLIMETRES UNLESS OTHERWISE STATED

REF. DRG. No.






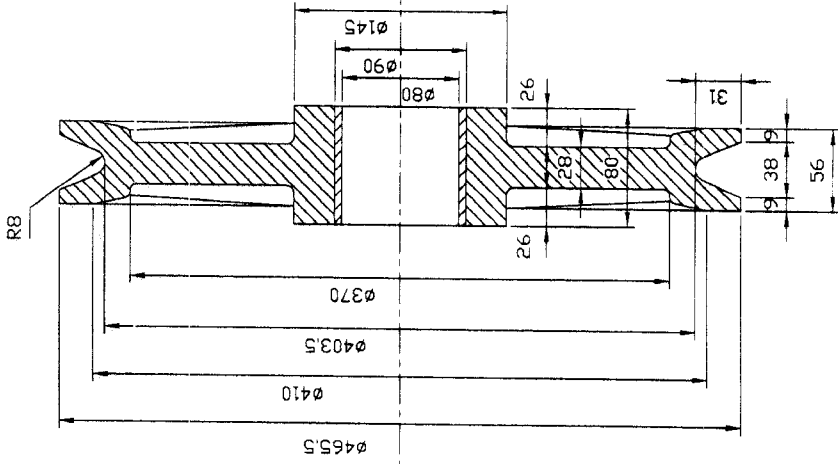
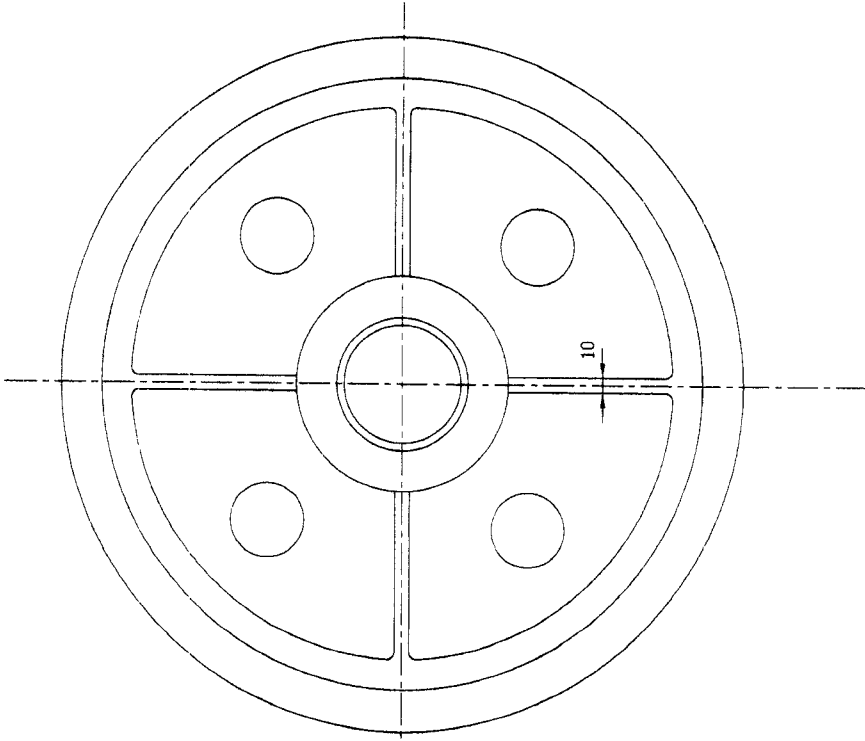


RETRACED

▼ ROUGH MACHINING  
 ▼ FINE MACHINING  
 ▼ GRINDING OR EQUIVALENT  
 ALL DIMENSIONS ARE IN MILLIMETRES  
 UNLESS OTHERWISE STATED.

ITEM No.	DESCRIPTION	MATL./SPEC.,	QTY.	REMARKS
 <b>BHARAT HEAVY PLATE &amp; VESSELS LTD</b> VISAKHAPATNAM-INDIA				
PLANT MAINTENANCE		BRAKE DRUM (L.T)		
DGN.		FOR E.O.T. CRANE		
DRN.	<i>Sekhar</i> 17/6/76	M/C.TYPE	40 T. 28.5(SPAN)	INV. No. 80719
CHD.	<i>[Signature]</i>	SCALE.	SIZE.	DRAWING No.
APRD.			A <sub>4</sub>	M <sub>4</sub> / 524 / G18-28

ALL DIMENSIONS ARE IN MILLIMETRES UNLESS OTHERWISE STATED



भारत हेवी प्लेट एंड वेसल्स लिमिटेड  
**BHARAT HEAVY PLATE & VESSELS LTD.**  
 A Subsidiary of Bharat Yatra Nigam Limited  
 VISAKHAPATNAM - 530 012 (A.P.)  
**A.H. BOTTOM BLOCK PULLEY FOR**  
**40T. EOT CRANE**



DCN  
 DFN./TCD.  
 CHD.  
 APPROVED.

KRISHNA  
 GANATHIL

SCALE.  
 ALL PROJECTIONS ARE FIRST ANGLE UNLESS OTHERWISE SPECIFIED

WORK ORDER NO :  
 YEAR OF ORD :  
 SIZE :  
 NO OFF :  
 DRAWING NO.  
 REV.NO.

PPD. CHD. APPD.

BRIEF RECORD

REF. DRG.  
 REV.NO  
 ZONE

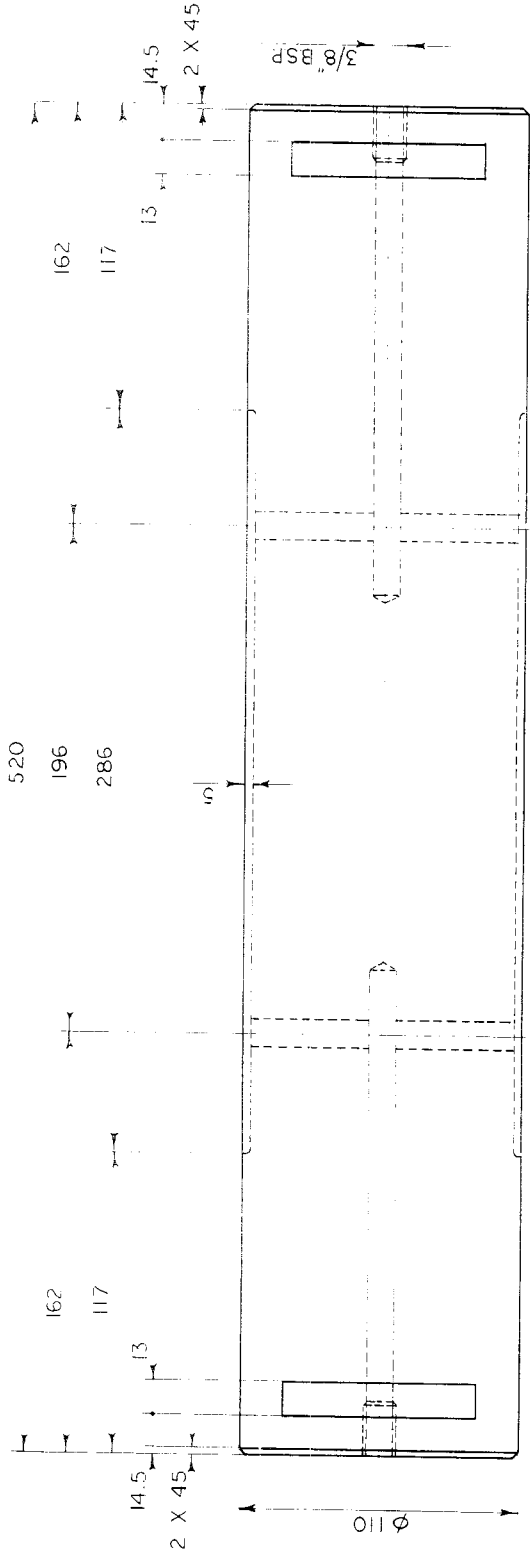
MAT-IS 210 / Gr.25

REF. DRG. NO.

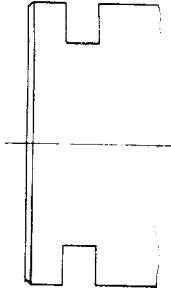
REV. NO.

FORM NO. 0421/0

This drawing is the property of M/S Bharat Heavy Plate & Vessels Ltd. and is not to be traced or copied without permission.



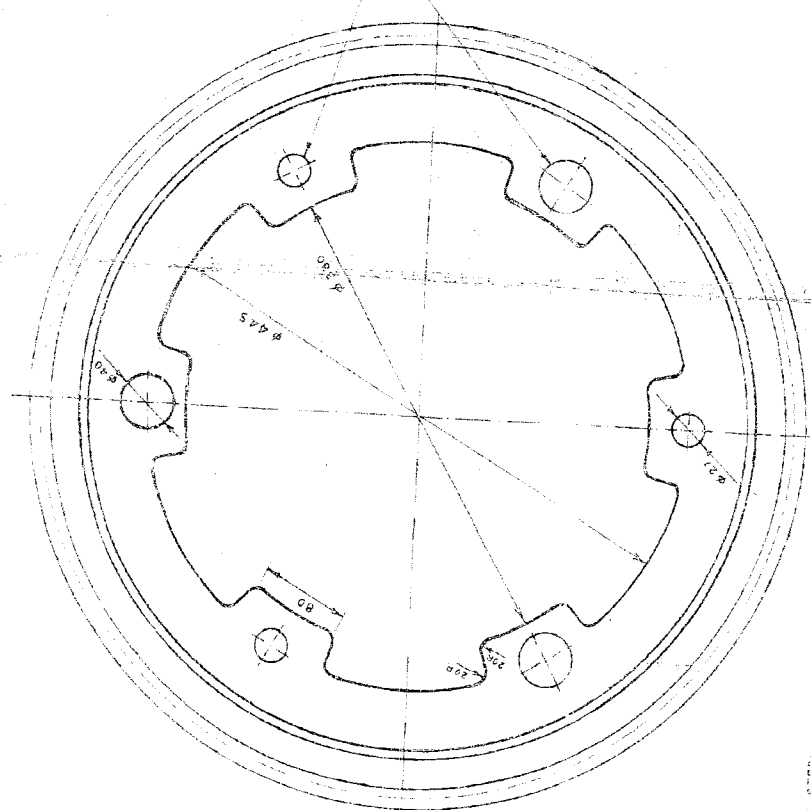
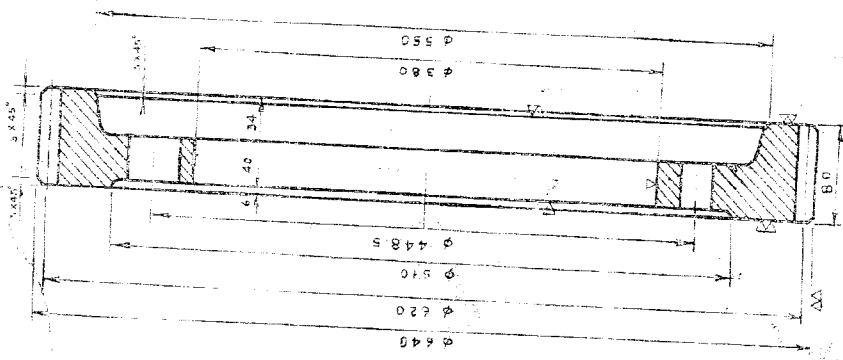
MATERIAL : STEEL  
 SPEC. : EN 9



**BHARAT HEAVY PLATE & VESSELS LTD.**

DGN		<b>AXLE</b>	
DRN	<i>Saha</i>	FOR 60/10 T.EOT CRANE	
CHD	<i>M/10</i>	REF DRG NO	SIZE
APPROVED		M 3	M 3 / 859 / G18 - 37



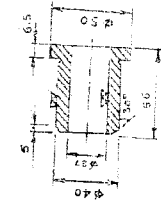


✓✓✓✓ ROUGH MACHINING  
 ✓✓✓✓ FINF MACHINING  
 ✓✓✓✓ GRINDING OR ITS EQUIVALENT

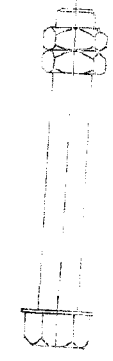
ALL DIMENSIONS ARE IN M.M.  
 UNLESS OTHERWISE STATED.

NO OF TEETH 62  
 PRESSURE ANGLE 20°  
 MODULE 10

MATERIAL: CAST STEEL  
 SPEC: I.S. 1030



MATERIAL: STEEL  
 SPEC: I.S. 226



MAT. STEEL (I.S. 226)  
 6 NOS OF 1 1/4" x 4" 19 8.5W HEX BOLT  
 WITH DOUBLE LOCK NUTS

NOTE

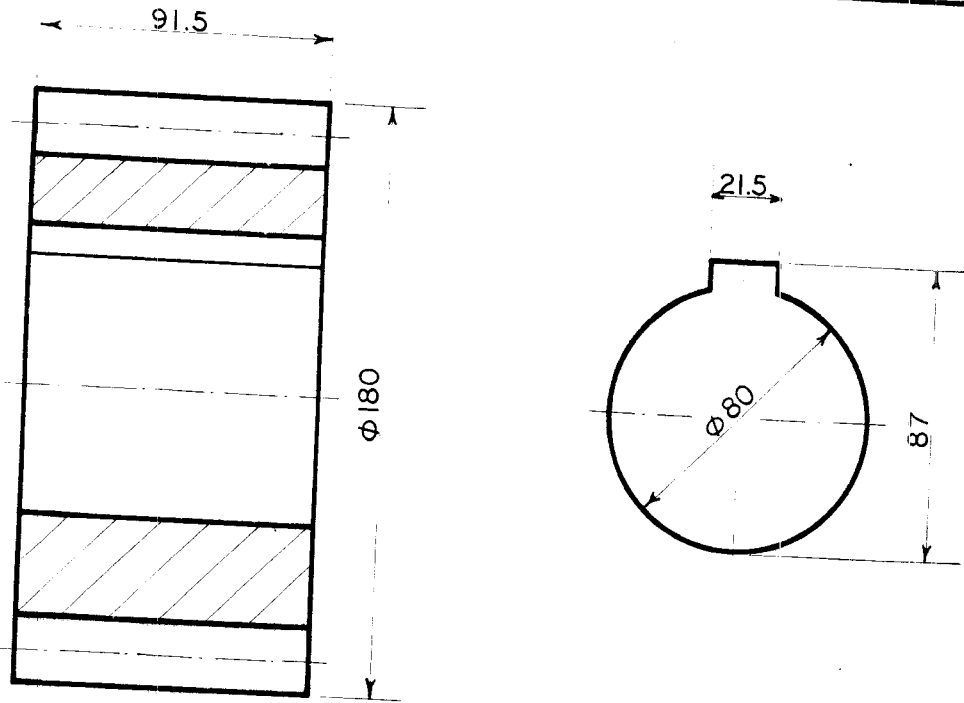
CASTING SHOULD HAVE  
 MACHINING ALLOWANCES  
 WHERE MACHINING MARKS SHOWN.

**SHARAT HEAVY PLATE & VESSELS LTD.**  
 VISAKHAPATNAM

**RING GEAR**

PER 507 T.F. & L.T. A 207 T.F. SHELLS  
 OF E.D.I. CRANES.

DGN	DRN	CHK	SCALE	DATE	BY	APP'D



NO. OF TEETH : 16  
O.D : φ180  
MODULE : 10


 ALL OVER

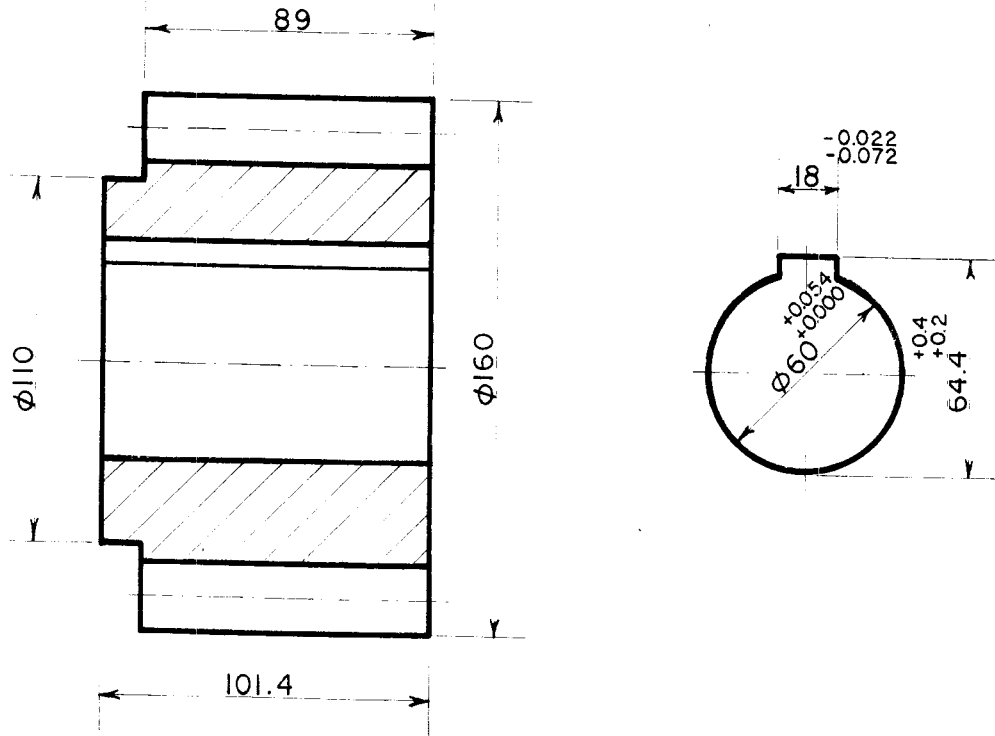
ITEM No.	DESCRIPTION	MATL./SPEC.	QTY.	REMARKS
1	L.T PINION	STEEL EN9		



**BHARAT HEAVY PLATE & VESSELS LTD**  
 VISAKHAPATNAM-INDIA

▼ ROUGH MACHINING  
 ▼ FINE MACHINING  
 ▼ GRINDING OR EQUIVALENT  
 ALL DIMENSIONS ARE IN MILLIMETRES  
 UNLESS OTHERWISE STATED.

PLANT MAINTENANCE		L.T PINION	
DGN.		FOR 60 / IOT. E.O.T CRANE (28.2 M. SPAN)	
DRN.	<b>CHINNI</b>	M/C.TYPE 60 / IOT.	INV. No.
CHD.		SCALE.	DRAWING No.
APRD.		A4	M4 / 1407 / G 18-88



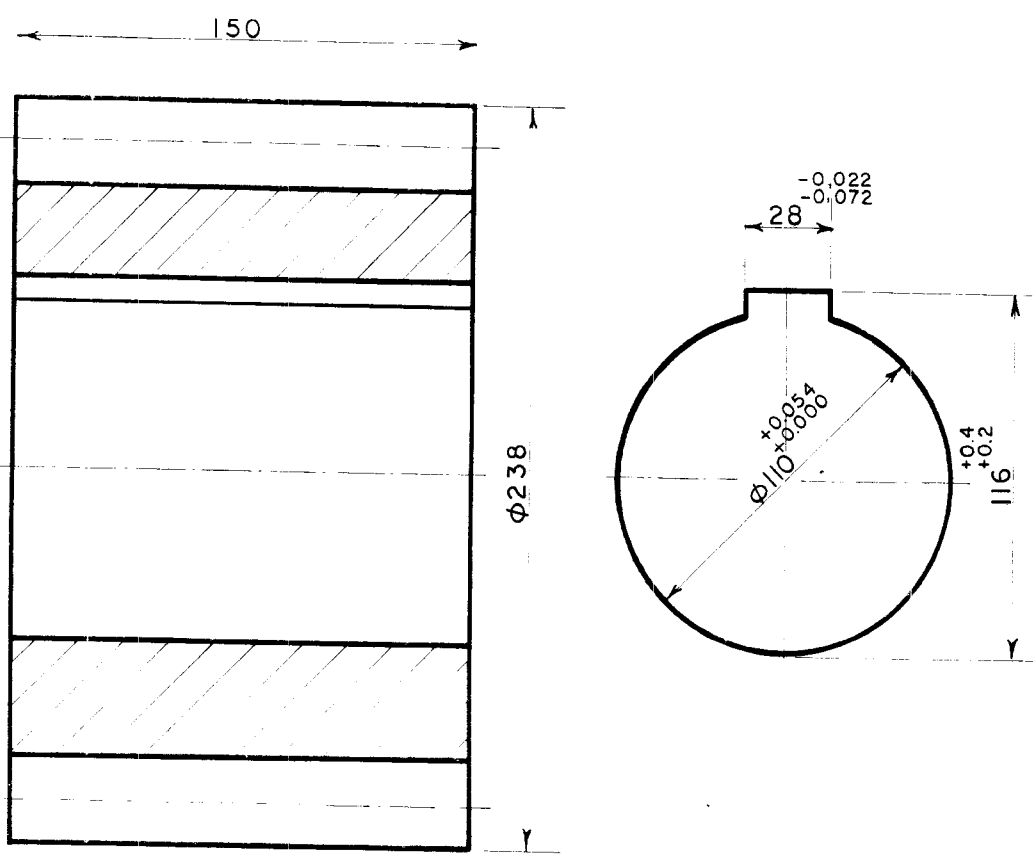
NO. OF TEETH : 14  
O. D :  $\phi$  160  
MODULE : 10

ALL OVER

ITEM No.	DESCRIPTION	MATL./SPEC.,	QTY.	REMARKS
I	C.T PINION	STEEL EN9		

▼ ROUGH MACHINING  
 ▼ FINE MACHINING  
 ▼ GRINDING OR EQUIVALENT  
 ALL DIMENSIONS ARE IN MILLIMETRES  
 UNLESS OTHERWISE STATED.

		<b>BHARAT HEAVY PLATE &amp; VESSELS LTD</b> VISAKHAPATNAM-INDIA		
PLANT MAINTENANCE		CROSS TRAVEL PINION		
DGN.		FOR 60 / 10T. E.O.T CRANE (28.2 M SPAN)		
DRN.	<b>CHINNI</b>	M/C.TYPE 60 / 10T.		INV. No.
CHD.		SCALE.	SIZE.	DRAWING No.
APRD.			A <sub>4</sub>	M <sub>4</sub> / 1409 / G18-90



NO. OF TEETH : 16  
 O. D :  $\phi$  238  
 MODULE : 13

ALL OVER

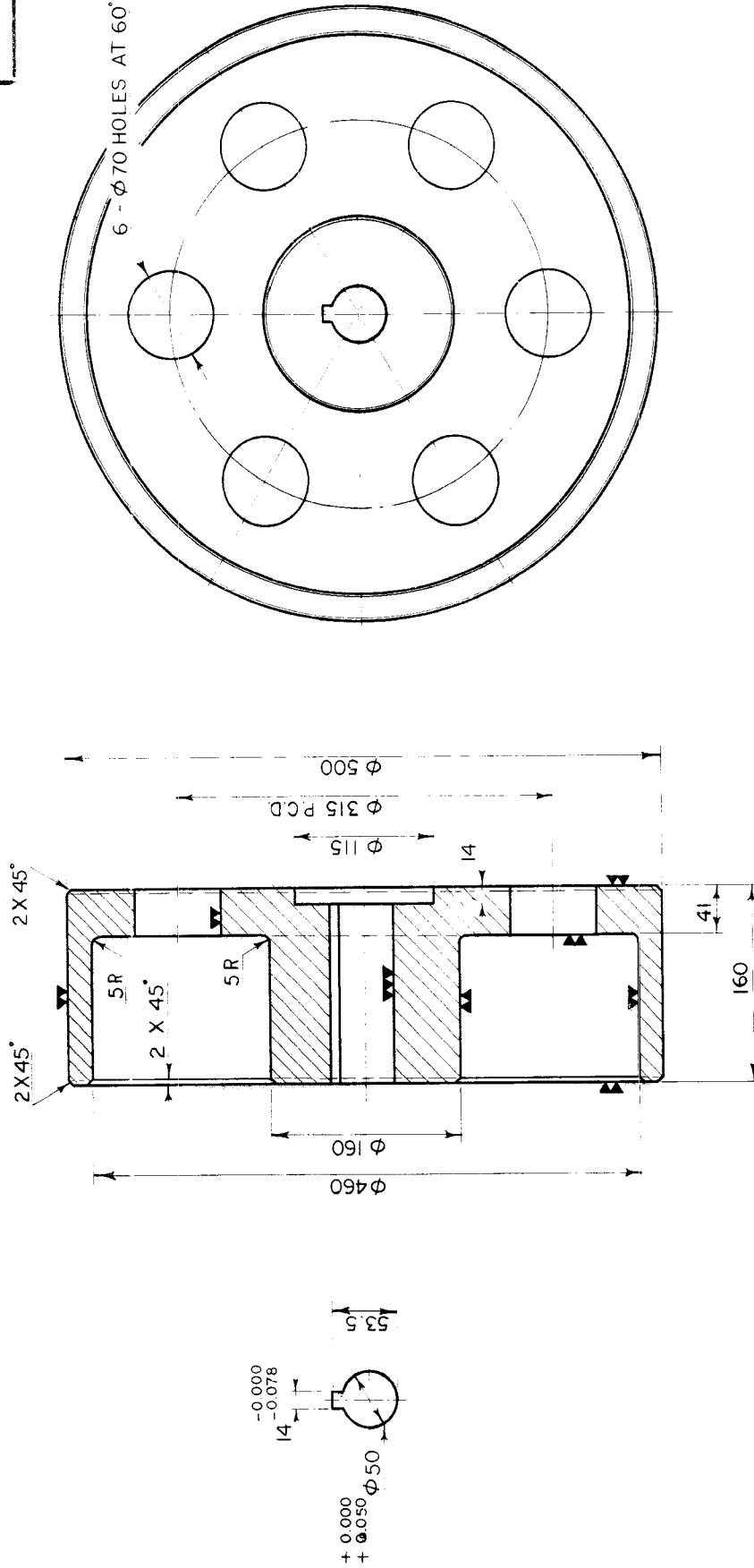
1	M.H PINION	STEEL EN9		
ITEM No.	DESCRIPTION	MATL./SPEC.	QTY.	REMARKS

▼ ROUGH MACHINING  
 ▼ FINE MACHINING  
 ▼ GRINDING OR EQUIVALENT  
 ALL DIMENSIONS ARE IN MILLIMETRES  
 UNLESS OTHERWISE STATED.

		<b>BHARAT HEAVY PLATE &amp; VESSELS LTD</b> VISAKHAPATNAM-INDIA		
		PLANT MAINTENANCE	MAIN HOIST PINION	
DGN.		FOR 60 / 10T E.O.T CRANE (28.2M.SPAN)		
DRN.	<b>CHINNI</b>	M/C.TYPE 60 / 10T.	INV. No.	
CHD.		SCALE.	SIZE.	DRAWING No.
APRD.			A <sub>4</sub>	M <sub>4</sub> / 1410 / G 18 -91



▽ ROUGH MACHINING  
 ▽ FINE MACHINING  
 ▽ ▽ GRINDING OR EQUIVALENT



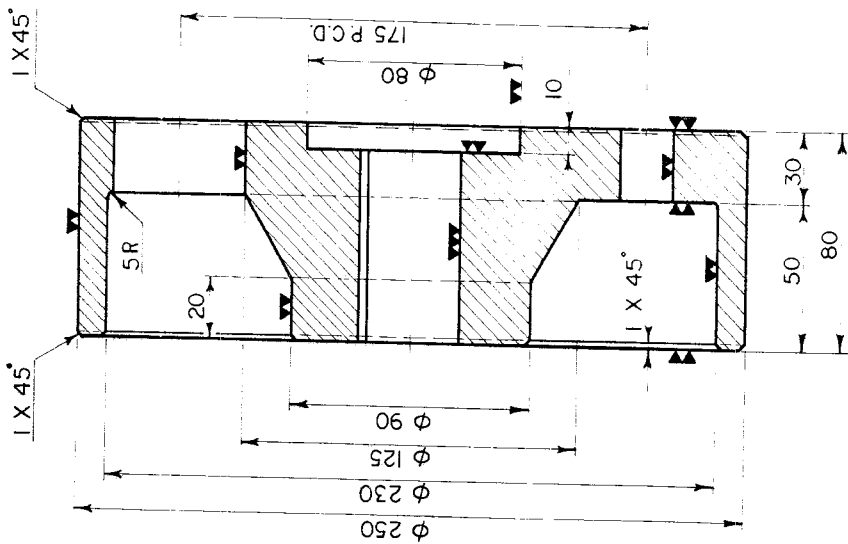
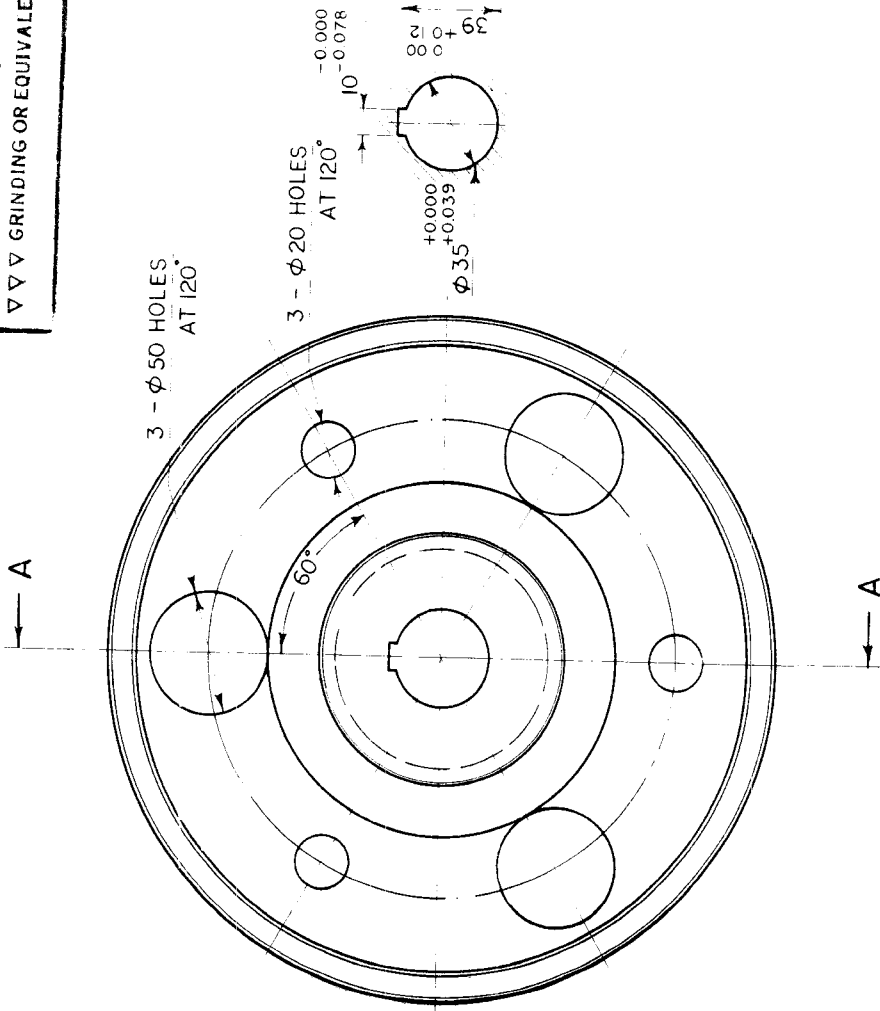
MATL: STEEL  
 SPEC.: I.S. 226

FOR COUPLING FLANGE REFER DRG. NO.  $M_3/901/G_{18}-44$   
 FOR CASTING DIMENSIONS REFER DRG. NO.  $M_3/1119/G_{18}-65$   
 FOR COUPLING BOLTS REFER DRG. No.  $M_3/901/G_{18}-44$

**BHARAT HEAVY PLATE & VESSELS LTD.**

DGN		BRAKE DRUM
DRN	<i>S...</i>	FOR AUX. HOIST (1 <sup>ST</sup> COUPLING)
CHD	<i>J...</i>	60T E.O.T. CRANE
APPROVED		
REF. DRG. NO.		SIZE
		A3
		DRAWING NO.
		$M_3/1197/G_{18}-80$

▽ ROUGH MACHINING  
 ▽ FINE MACHINING  
 ▽ GRINDING OR EQUIVALENT



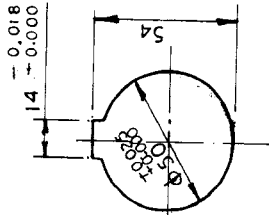
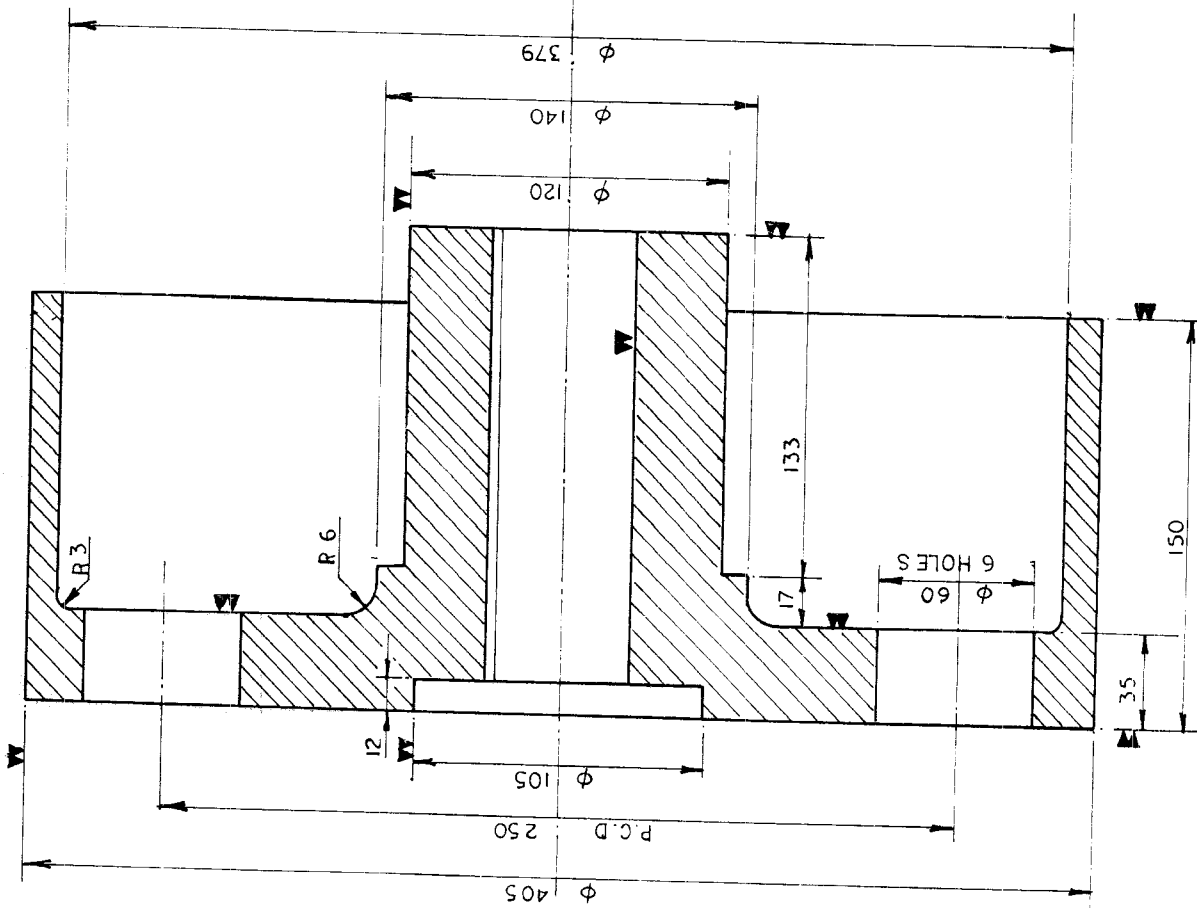
SECTION A-A

MATL. : STEEL  
 SPEC. : I.S.226

FOR CASTING DIMENSIONS REFER DRG. No. M<sub>4</sub>/1117/G<sub>18</sub>-63  
 FOR COUPLING FLANGE REFER DRG. NO. M<sub>3</sub>/1201/G<sub>18</sub>-84  
 FOR COUPLING BOLTS REFER DRG. No. M<sub>3</sub>/1124/G<sub>18</sub>-67

**BHARAT HEAVY PLATE & VESSELS LTD.**

DGN				
DRN	<i>S. Khan</i>			
CHD				
APPROVED				
BRAKE DRUM				
FOR CROSS TRAVEL - 60-T. E.O.T. CRANE.				
REF. DRG. NO.		SIZE	A3	DRAWING NO.
				M <sub>3</sub> /1200/G <sub>18</sub> -R3



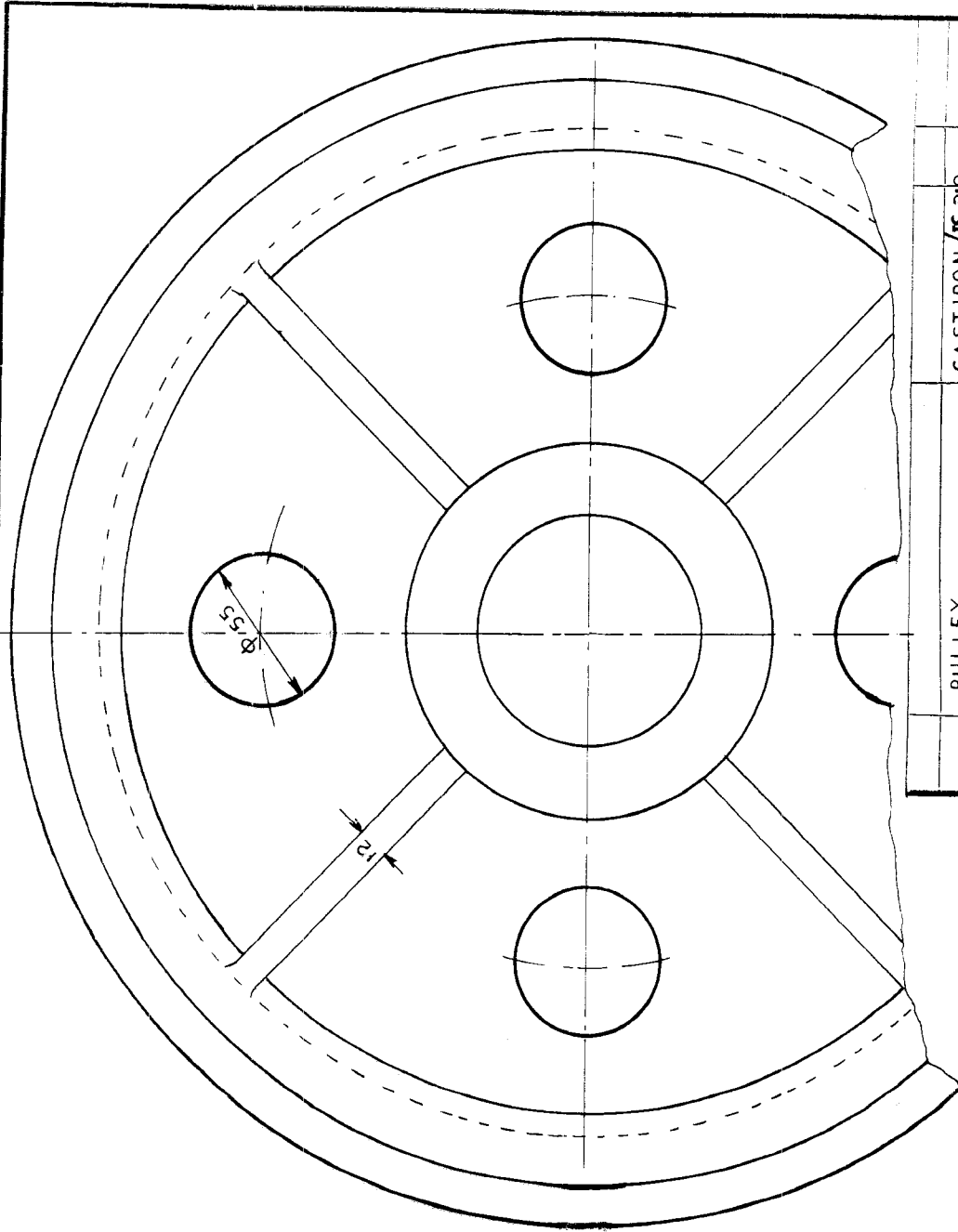
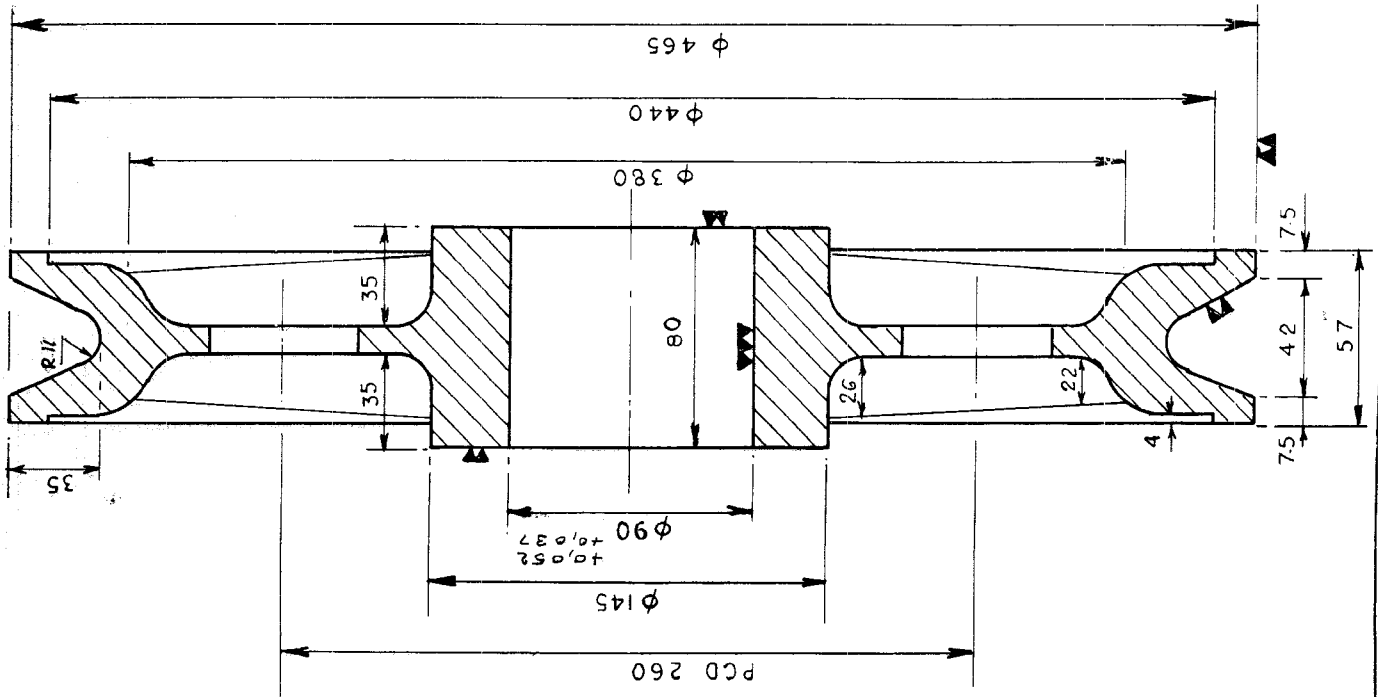
MAT: CAST STEEL  
SPEC: 1030 GR II

ITEM No.	DESCRIPTION.	MATL./SPEC.,	QTY.	REMARKS.
<b>BHARAT HEAVY PLATE &amp; VESSELS LTD</b> VISAKHAPATNAM-INDIA				
PLANT MAINTENANCE		60 TON LONG TRAVEL BRAKE DRUM		
DGN.	BCH:RAO 78.07.26.			INV. No.
DRN.	78.07.26.			DRAWING No.
CHD.	Swaminathan	M/C TYPE	SCALE.	SIZE.
APRD.				A 3
				M <sub>3</sub> / 2078/G18 - 130

▽ ROUGH MACHINING  
▽▽ FINE MACHINING  
▽▽▽ GRINDING OR EQUIVALENT

ALL DIMENSIONS ARE IN MILLIMETRES UNLESS OTHERWISE STATED.

REF. DRG. No.



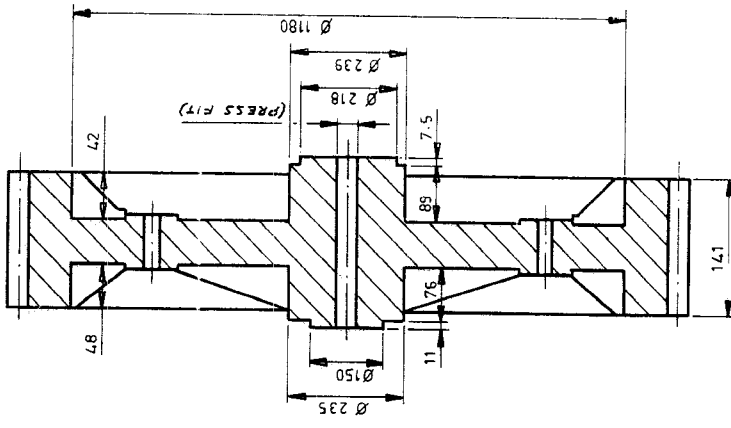
ITEM No.	DESCRIPTION	CAST IRON/IS 210	REMARKS
		MATL/SPEC.	QTY.
<b>BHARAT HEAVY PLATE &amp; VESSELS LTD</b> VISAKHAPATNAM-INDIA			
PLANT MAINTENANCE		A.H. PULLEY FOR	
DGN.		60 T. EOT CRANE.	
DRN.		M/C. TYPE	INV. No.
CHD.		SCALE.	DRAWING No.
APRD.		SIZE.	M <sub>3</sub> / 2709 / 618-168

REF. DRG. No.

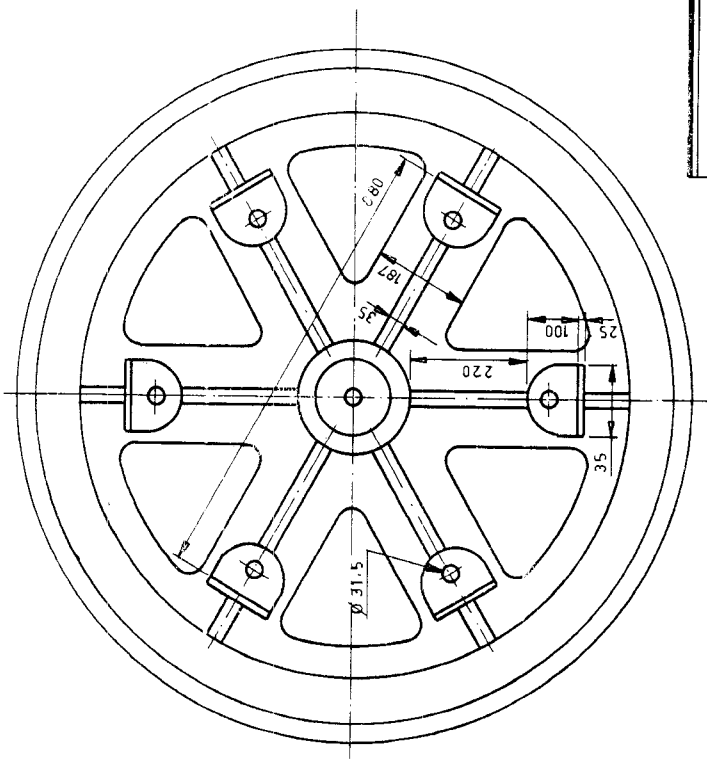
ROUGH MACHINING  
FINE MACHINING  
GRINDING OR EQUIVALENT

ALL DIMENSIONS ARE IN MILLIMETRES UNLESS OTHERWISE STATED.



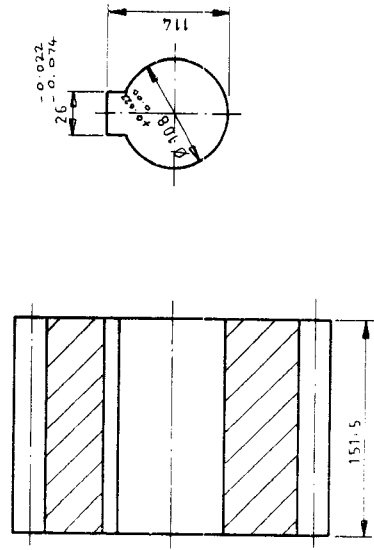


**GEAR**



NO. OF TEETH	92
O. D.	1315
DEPTH OF TEETH	29

**MAT. - Cast Steel**



**PINION**


NO. OF TEETH	15
O. D.	237.85
DEPTH OF TEETH	28.5

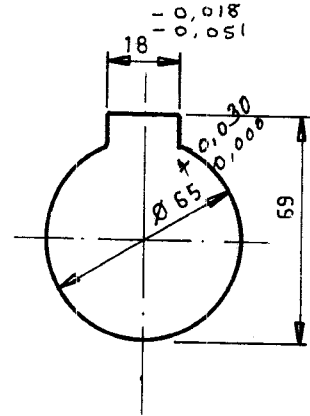
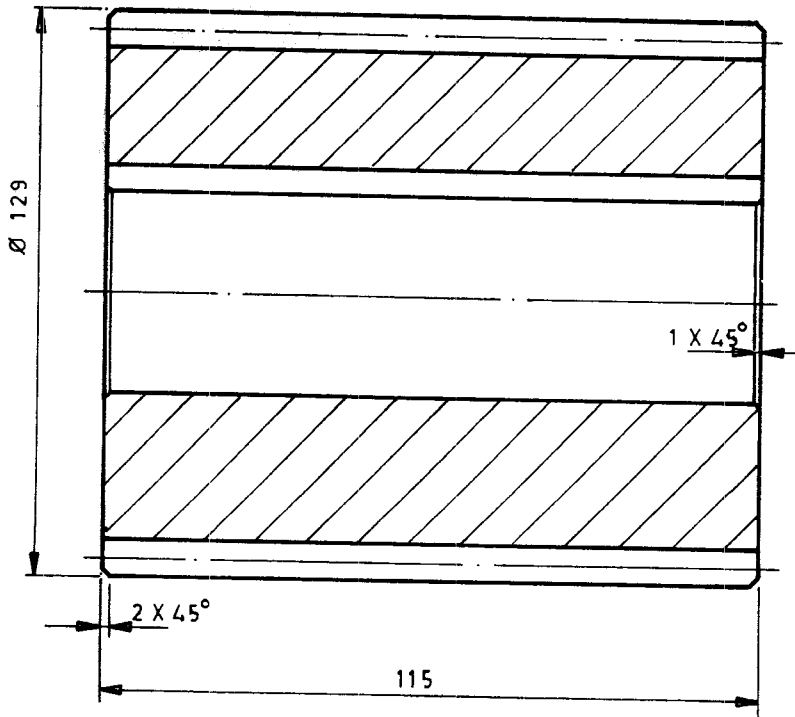
**MAT. - Cast Steel**

ROUGH MACHINING  
FINE MACHINING  
GRINDING OR EQUIVALENT

ALL DIMENSIONS ARE IN MILLIMETRES UNLESS OTHERWISE STATED

REF. DRG. No.


ITEM No.	DESCRIPTION	MATL./SPEC.	QTY.	REMARKS
 <b>BHARAT HEAVY PLATE &amp; VESSELS LTD.</b> VISAKHAPATNAM - INDIA				
PLANT MAINTENANCE		GEAR & PINION FOR 60/10 T.		
DGN.	DRN	M/C. TYPE	SCALE.	SIZE.
	krishna			A 3
CHD		INV. No.	DRAWING No.	
			M <sub>3</sub> 3334/G 18-225	
APRD.				



**O.D - 129**  
**DEPTH - 8.5**  
**NO. OF TEETH - 30**  
**MODULE - 4**  
**HELIX ANGLE - 9°**  
**HAND OF HELIX - R.H**

**MAT. - Steel / EN-207**

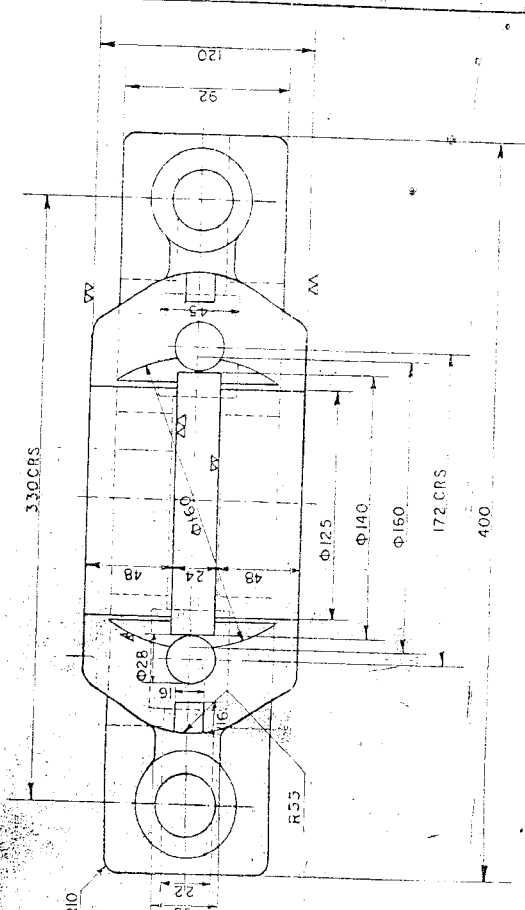
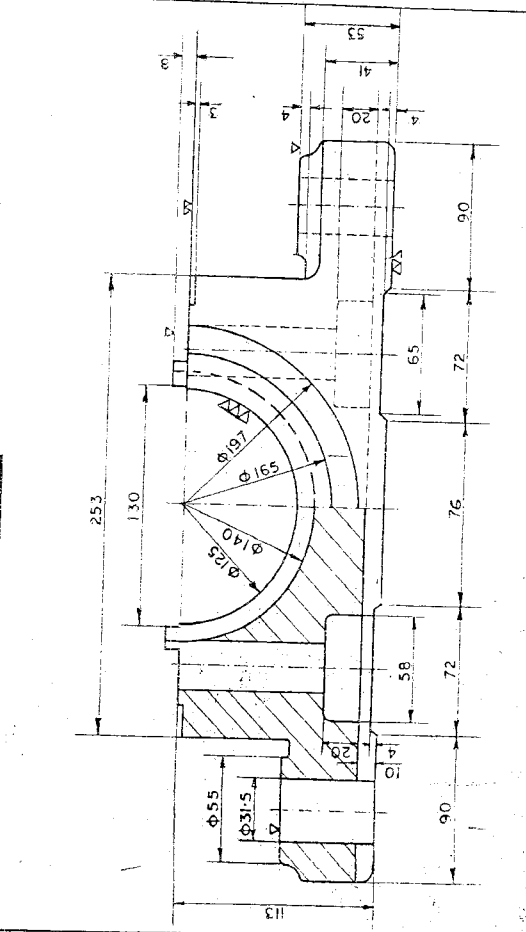
▼ ROUGH MACHINING  
 ▼ FINE MACHINING  
 ▼ GRINDING OR EQUIVALENT  
 ALL DIMENSIONS ARE IN MILLIMETRES  
 UNLESS OTHERWISE STATED.

ITEM No.	DESCRIPTION	MATL./SPEC.	QTY.	REMARKS
 <b>BHARAT HEAVY PLATE &amp; VESSELS LTD</b> VISAKHAPATNAM-INDIA				
PLANT MAINTENANCE				
DGN.		<b>L.T INPUT SHAFT PINION FOR 60T. EOT CRANE</b>		
DRN.	<b>KRISHNA</b>	M/C. TYPE	INV. NO.	
CHD.	<i>8/11/93</i>	SCALE.	SIZE.	DRAWING NO.
APPD.				

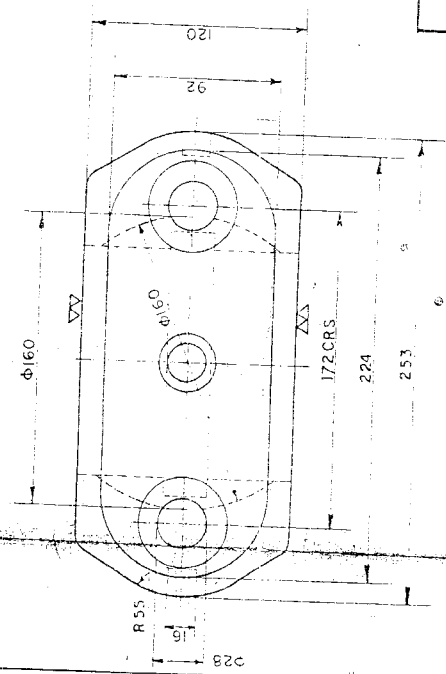
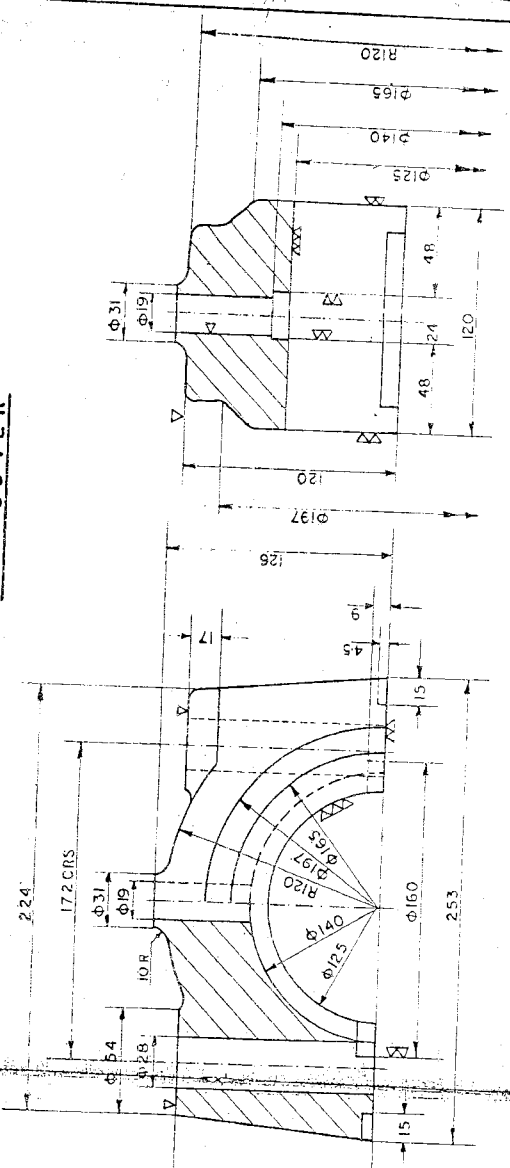


1. MIC TOLERANCE TO BE  $\pm 0.08$  M.M.  
 UNLESS OTHERWISE STATED  
 2. ALL DIMENSIONS ARE IN M.M.

**BODY**



**TOP COVER**



MAT. CAST STEEL  
 SPEC. IS 1030

BHARAT HEAVY PLATE & VESSELS LTD.			
DGN.	DR. N. CHINNI	SIZE	M2
CHD		DRAWING NO.	M2/BHP/GR.43
APPROVED		FOR E.O.T CRANES	
REF. DRG. NO.		Φ110 MM PLUMMER BLOCK	

▽ ROUGH MACHINING.  
 ▽ FINE MACHINING.  
 ▽ BRINDING OR TO QUALIFY.

**COMMERCIAL TERMS AND CONDITIONS FOR SUBMISSION OF OFFER****1.0 QUOTATIONS**

Bidders shall submit the offer in TWO INNER ENVELOPES as indicated below which shall be sealed in one outer envelope.

**Envelope I:** This sealed envelope should contain all the copies of technical bid together with un-priced commercial bid. This envelope should be clearly marked “**Part I – Technical and Un-priced commercial bid**” Indicating Tender No., Due Date and Address & Reference of the Bidder.

**Envelope II:** This sealed envelope should contain price details this envelope should be clearly marked “**Part II - Price bid**” indicating Tender No., Due Date and Address & Reference of the Bidder.

Both the envelopes (Part I & II) shall be put in one cover, duly sealed, super scribing as Part I and Part II of Tender No., due date of opening and the address and reference of the Bidder

The above offer should reach this office on or before the due date by 14.00 Hrs (IST)  
Tender should not be addressed to any Individuals name but only designation to

**Sr. Manager (MM)**  
**BHARAT HEAVY ELECTRICALS LIMITED**  
**HEAVY PLATES & VESSELS PLANT**  
**VISAKHAPATNAM - 530 012 (A P), INDIA.**

Tenders should be free from CORRECTION AND ERASURES. Corrections if any must be attested. All amounts shall be indicated both in words as well as in figures. Where there is difference between amount quoted in words and figures, amount quoted in words shall prevail.

Offers should be in ENGLISH and accompanied by technical literature catalogue and detailed dimensional drawings in ENGLISH or otherwise the offers will not be considered.

**2.0 PART I (TECHNICAL & UN-PRICED COMMERCIAL BID)****2.1 Technical**

This part shall include / indicate the following:

- 2.1.1. Offer should contain complete scope of supply with all technical details, specifications, delivery and other commercial terms and conditions.
- 2.1.2. Point by point confirmation for the Technical Specification enclosed is to be provided. If there are any deviations the same should be clearly specified. Offers received without conformation to our specification will be rejected.
- 2.1.3. List of customers to whom same or similar equipment have been supplied along with performance certificates to be enclosed.
- 2.1.4. Relevant catalogue to be attached.
- 2.1.5. List of spares parts (with part numbers) for two years operation and maintenance should be attached.

2.1.6. Information on shipping weight and cubage (length, width & height) to be provided

2.1.7. In case of foreign bidder offer, the Principal's technical offer only should be enclosed.

## 2.2 Un-Priced Commercial

This part shall include / indicate the following

2.2.1. Port of shipment / Station of dispatch

2.2.2. Terms of payment

2.2.3. FOB/FCA price along with freight charges up to Chennai port (for foreign bidders) Ex-works/FOR Dispatch Station price along with freight charges up to BHEL Visakhapatnam (for Indian bidders)

2.2.4. Taxes, Service tax & duties including Cess applicable.

2.2.5 Delivery Schedule

2.2.6. Filled-in check list to be enclosed

2.2.7. Offer validity

2.2.8. Country of origin

2.2.9. Percentage of agency commission if any along with a copy of Agency agreement The FOB/FCA/CFR Prices quoted shall include the agency commission.

2.2.10. A copy of "Un-Priced Part II 'i.e., a copy of the Price Bid without the price details to be enclosed.

2.2.11 BHEL Visakhapatnam is eligible for availing CENVAT / VAT credit on both inputs and capital inputs. The suppliers invoice should separately indicate the amount of duty / taxes and should invariably mention the following details:

1. The Central excise registration number, range division and commission rate of the supplier's jurisdiction.
2. The rate of duty and 8 digit central excise tariff heading of the item supplied.
3. The TIN, VAT, CST registration number of the supplier.

The duplicate copy of the invoice is required for availing CENVAT credit and original copy for availing VAT credit, if purchased within the state.

In case of foreign bidders the duplicate copy of the electronic Bill of Entry along with TR6 challan should be made available for availing CENVAT credit on CVD, Cess (S) and SAD.

## 3.0 **PART II (PRICE – BID)**

This part should contain the schedule of price particulars and to be co-related to the technical details provided in Part-I

## 4.0 **OPENING OF TENDERS**

The Part I – Technical & un-priced commercial bid alone would be opened on the Tender opening date.

The Part II – Price bid of technically suitable Bidders alone would be opened. The Technically suitable Bidders would be informed about the Price Bid opening date. Clarifications if any required by BHEL Visakhapatnam FOR Technical evaluation / commercial evaluation would be sought from Bidders before opening of Part II – price bid.

### GENERAL

5.1 Incomplete offers will not be considered.

5.2 **Fixed priced:** Prices quoted by the bidder shall be fixed and not subject to any escalation whatsoever during the period of bid validity and execution of the Purchase Order A bid submitted with an adjustable price will be treated as non- responsive and rejected Prices shall be written in words and figures. In the event of difference, the price in words shall be valid and binding. Unit prices shall be considered correct in the event of any discrepancy with regards to total price.

5.3 **Bid currency:** Indian bidders should submit the prices only in Indian Rupees. Foreign bidders may submit their bid in their home currency, which should be clearly indicated in the un-priced commercial bid as well as in the price bid. Price bid opening date/ RA date will be considered as effective date for considering exchange rate to evaluate the offers.

- 5.4 **Terms of Delivery:** Bidders are required to quote their best delivery period. Foreign Bidders should submit their offer for net FOB/ FCA – Nearest Sea Port / Air Port as well as CFR / Chennai Seaport/ Airport. Freight charges up to Chennai port to be indicated separately. Indian Bidders should submit their offer for Dispatching station as well as FOR BHEL Visakhapatnam basis. Freight charges from works to BHEL Visakhapatnam to be indicated separately. Delivery from the date of Letter of Intent to be mentioned in the offer.
- 5.5 **Taxes and Duties:** All Taxes and Duties payable as extra to the quoted price should be specifically stated in offers along with CST & TIN No/ Tariff No. etc, failing which the purchaser will not be liable for payment of such Taxes and Duties (Our TIN No.28280189432, APGST No. VSP/04/1/1023 dated 24.08.1968. CST No.VSP/04/1/1012 dated 24.08.1968 & BHEL Visakhapatnam ECC No AAA CB 7076 N-XM001. Assessment circle Visakhapatnam.)
- 5.6 **Validity:** The offers for main equipment and spares shall be kept open for acceptance for a period of 120 days (one hundred and twenty days) from the dates of opening of the tender (part I)
- 5.7 **Terms of Payment:**
- 5.7.1 **Indian Bidders:**  
100% payment will be made within 45 days of receipt of material at BHEL,Visakhapatnam and on submission of Performance Bank Guarantee for 10%.
- 5.7.2 **Foreign Bidders**  
An Irrevocable letter of Credit shall be established for 80% of FOB/FCA/CFR/ (excluding Indian Agent's commission) 2 months prior to shipment and valid for 3 months for negotiation against shipment Letter of Credit shall be opened through a branch of State Bank of India in the country where order shall be placed. In case, in the country where order is placed, State Bank of India is not there, Letter of Credit will be confirmed by foreign banker. Balance 20% of FOB/FCA/CFR value shall be paid through sight draft on Commissioning & acceptance of the equipment at BHEL Visakhapatnam, against submission of 10% performance bank guarantee. All Bank charges outside India are to supplier's account. Lump sum erection and commissioning charges if any, shall be payable after satisfactory erection & commissioning of the equipment by sight draft against certificate issued by the competent authority.
- 5.7.3 **Common to both India & Foreign Bidders.**  
Erection & Commissioning (E&C) charges will be released after deduction of Income Taxes as per the Govt. of India rules. The TDS certificate will be issued by BHEL. Applicable service tax on E&C charges will be payable extra. The liability of depositing the same to the Govt. will be of the supplier.
- 5.7.4 **Loading criteria common to both Indian and foreign bidders:** Vendor should accept the payment terms specified above. However for any deviation to the payment terms offered with reference to the above criterion will be loaded with prime lending rate of SBI prevailing on date of opening of price bid + 2%, which shall be computed for the differential period between BHEL Visakhapatnam terms of payment and the offered basic price.
- 5.8 DUNS number (allotted by M/s. DUN & Bradstreet) shall be mentioned in your offer.
- 5.9 **Guarantee:** The equipment shall be guaranteed for a period of 18 months from the date of supply or 12 months from the date of commissioning and acceptance whichever is earlier.  
**Offers from vendors not accepting to the requested guarantee period will be rejected.**

- 5.10 **Contract Execution Bank Guarantee (CEBG):** The successful tenderer shall furnish a Bank Guarantee from any Nationalized Bank for 5% of Purchase Order value (FOR Dispatching station value – Excluding taxes, duties, freight & insurance – for Indian bidders) & (FOB/FCA value – excluding freight & insurance – for foreign bidders) confirming that the order will be executed as per the terms and conditions and this should be valid till final dispatch date (LR/GR/BL/AWB) with additional 2 months claim period. Letter of Credit will be processed only after receipt of CEBG. The CEBG is to be furnished within 3 weeks from the date of Purchase order.  
**Offers from vendors not accepting to submit CEBG will be rejected.**
- 5.11 **Performance Bank Guarantee (PBG):** The supplier shall furnish a Bank guarantee from any Indian Nationalized Bank approved by BHEL Visakhapatnam in the format, given by BHEL Visakhapatnam along with purchase order for 10% of the Purchase Order value (FOR Dispatching station value – Excluding taxes, duties, freight & insurance – for Indian bidders) & (FOB/FCA value – excluding freight & insurance – for foreign bidders) valid for period of guarantee with additional claim period of 2 months.  
**Offers from vendors not accepting to submit PBG will be rejected.**
- The CEBG & PBG shall be obtained from any Indian Nationalized Bank/ Scheduled Commercial Banks.
- 5.12 **Liquidated damages:** Delivery of the goods specified in the purchase order should be made within the time prescribed. Failure to dispatch the materials in the time as per the delivery quoted in our Purchase Order would make the supplier liable to an un-conditional penalty at the rate of ½% of the value of goods for each week of delay subject to a maximum of 10% of the Purchase Order value.
- 5.12.1 **Loading Criteria for Liquidated Damages:** Any deviation from above LD Clause to the extent for which LD is not agreed by the vendor i.e., differential % value will be loaded on basic price, e.g. If some vendor agrees for say maximum of 6% LD then his price will be loaded by 4% (10 – 6) of his quoted basic price.
- 5.13 **Risk purchase:** If the supplier fails to deliver the goods within the delivery specified in the Purchase Order, BHEL Visakhapatnam will be entitled to terminate the contract and to purchase elsewhere at the risk and cost of the seller either the whole of the goods or any part which the supplier has failed to deliver or dispatch within the delivery period mentioned in the Purchase Order.  
**Offers from vendors not accepting the above Risk Purchase terms will be rejected.**
- 5.14 **Indian Agent & Agency commission:** An Indian Agent can represent only one Foreign Manufacturer against a particular Tender. The FOB/FCA/CFR price quoted by the Foreign bidder shall include the agency commission. However, the agency commission component payable to their Indian Agents shall be shown separately in the offer. This will be paid by BHEL Visakhapatnam in India Rupees, on satisfactory commissioning & acceptance of the equipment. Copies of current Agency Agreement / Authorization Letter in respect of Agency Commission shall be furnished along with offer. For calculation of Rupee equivalent of Agency Commission exchange rate as prevailing on the date of Purchase Order will be taken.
- 5.15 **Short shipment / Warranty replacement:** In case of any short shipment in the main equipment / spares, customs duty levied on such supplies, shall be borne by the supplier. Any warranty replacement during the warrantee period shall be on FOR, BHEL Visakhapatnam, basis.

- 5.16 **Inspection & Testing:** All goods shall be subject to inspection by BHEL Visakhapatnam or its authorized representatives at supplier's works or at BHEL Visakhapatnam stores. The supplier will not charge for the facilities provided for inspection of goods. In case of machine tools the machine would be inspected and proved at supplier's works prior to dispatch however, final inspection and acceptance of the machine will be carried after installation of the machine at BHEL, Visakhapatnam.
- 5.17 **Operating and Maintenance manuals:** The Bidders shall clearly mention in their offer that Operating Maintenance Manuals as called for in the Technical Specification in the required number of copies will be provided.
- 5.18 **Cenvat & VAT credit. (for Indian Bidders only):** The quotation must indicate Tariff item number and rate of Excise Duty applicable. The original Excise Duty Gate Pass will be required to be furnished in case charges to us. If the bidder is availing Cenvat credit for his input materials, the effect of proforma credit should be passed on to the purchaser.
- 5.19 **Packing:** The Supplier shall arrange for packing suitably in all respects considering the peculiarity of the material involves for normal transport by sea / air / rail road and suitably protected against effect of tropical salt laden atmosphere in the event of shipment being delayed at ports.
- 5.20 **Salient Points of HSE** (Health, Safety & Environment) that are to be considered while submissions of offer are:
- 5.20.1 Consumption benchmarks related to output shall be provided wherever applicable for key input resources (energy/fuels/chemicals)
- 5.20.2 Competency requirements for operation, maintenance and calibration, if any, shall be communicated
- 5.20.3 If any Hazardous chemicals as per MSIHC (Manufacturing, Storage and import of Hazardous Chemicals) Rules 1989/94/2000 are used, the MSDS shall be provided, along with on site & OFF site emergency plan (as applicable).
- 5.20.4 The noise level at operator level shall be within 90 DbA
- 5.20.5 OH&S (Occupational Health and Safety) control measures for safe working of machine as applicable shall be specified
- 5.20.6 The machine/equipment shall be fitted with guard for rolling and moving parts and shall comply with applicable OH&S legislations and Factories Act 1948
- 5.20.7 The supplier shall submit the layout drawing of operating controls, displays etc and operating instructions to enable ergonomics evaluation and approval
- 5.20.8 The recommended PPE (Personal Protective Equipment) for the equipment shall be furnished
- 5.20.9 Alarm System (both visual and audible) and Automatic switch off of the equipment shall be provided for any intrusion, overloading, short circuiting or any malfunctioning of the equipment.
- 5.20.10 Details of all hazardous / harmful substances discharges as by-products / wastes during operations of the machine / equipment, such as fumes, gases, dust particles, aerosols UV./IR (Ultra violet / Infra red) radiations, etc shall be furnished, along with their concentrations and their TLV, (Threshold Limit Value)

- 5.20.11 Appropriate pollution control measures shall be proposed to keep the emissions from the machinery / processes within the prescribed limit as stated in Environment Protection Rules 1986.
- 5.20.12 All furnaces, process units, DG sets, paint booths, shot blasting chambers, etc shall be provided with stack(s) of sufficient height as per guidelines laid down in the Environment Protection Rules 1986.
- 5.20.13 wherever industry specific standards are not available for control of pollutants, general emission standards shall be used
- 5.20.14 Chemicals banned due to their negative impact on the environment shall not be used on the process
- 5.20.15 Fuels with sulphur content less than 0.05% shall be proposed.
- 5.20.16 Details regarding nature of waste generated and appropriate disposal practices available shall be provided, along with the operation procedure of the plant / process.
- 5.20.17 Hazardous chemicals and flammable substances shall be transported only through authorized transporters and all safety practices as laid down in applicable legislative requirements such as Central Motor Vehicle Rules, Manufacture, Storage and Import of Hazardous Chemical 1989, etc. shall be followed.
- 5.20.18 Primary materials used in the equipment shall be specified and they shall be eco - friendly.
- 5.21 Evaluation of offers shall be on the basis of delivered cost (Net cash outflow to BHEL Visakhapatnam).
- 5.22 BHEL Visakhapatnam also reserves its right to allow to the Public Sector Enterprises ordering and price preference facilities as admissible under the existing policy.
- 5.23 BHEL Visakhapatnam reserves its right to reject a tender due to unsatisfactory past performance in the execution of a contract at another project / unit.
- 5.24 BHEL Visakhapatnam shall be at liberty to reject or accept any tender, part or in full, at their own discretion and any such action is not liable for any question or claim against BHEL Visakhapatnam.
- 5.25 BHEL Visakhapatnam reserves the right to go for a Reverse Auction (RA) instead of opening the submitted sealed bid, which will be decided after technical evaluation. Information and general terms and conditions governing RA are given below.

**GENERAL TERMS AND CONDITIONS OF RA (REVERSE AUCTION)**

Against this enquiry for the subject item/system with detailed scope of supply as per enquiry specifications. BHEL Visakhapatnam may resort to “REVERSE AUCTION PROCEDURE” i.e., ON LINE BIDDING ON INTERNET.

1. For the proposed reverse auction, technically and commercially acceptable bidders only shall be eligible to participate.
2. BHEL Visakhapatnam will engage the services of a service provider who will provide all necessary training and assistance before commencement of on line bidding on internet.
3. BHEL Visakhapatnam will inform the vendor in writing in case of reverse auction, the details of service provider to enable them to contact & get trained.

4. Business rules like event date, time, start price, bid decrement, extensions etc. also will be communicated through service provider for compliance.
  5. Vendors have to fax the Compliance form in the prescribed format (provided by Service provider) before start of Reverse auction. Without this, the vendor will not be eligible to participate in the event.
  6. BHEL Visakhapatnam will provide the calculation sheet (e.g., EXCEL sheet) which will help to arrive at "Total Cost to BHEL Visakhapatnam like Packing & Forwarding charges, taxes and Duties, Freight charges, Insurance, Service Tax for Services and loading factors (for non-compliance to BHEL Visakhapatnam standard Commercial terms & conditions) for each of the vendor to enable them to fill-in the price and keep it ready for keying in during the Auction.
  7. Reverse auction will be conducted on scheduled date & time.
  8. At the end of Reverse Auction event, the lowest bidder value will be known on the network.
  9. The lowest bidder has to Fax the duly signed Filled-in prescribed format as provided on case-to-case basis to BHEL Visakhapatnam through Service provider within 24 hours of Auction without fail.
  10. Any variation between the on-line bid value and the signed document will be considered as sabotaging the tender process and will invite disqualification of vendor to conduct business with BHEL Visakhapatnam as per prevailing procedure.
  11. In case BHEL Visakhapatnam decides not to go for Reverse Auction procedure for this tender enquiry, the Price bids and price impacts, if any, already submitted and available with BHEL Visakhapatnam shall be opened as per BHEL Visakhapatnam's standard practice.
- 5.26 **Force Majeure clause:** If at the time during the continuance of this contract the performance in whole or in part by either party of any obligations under this contract shall be prevented or delayed by reason, of any war, hostilities, acts of the public enemy, civil commotion, sabotage, fires, explosions epidemics, quarantine, restrictions or acts of GOD (hereinafter referred to as events) then provided notice of happening of any such events is given by either party to other within twenty one days from the date of occurrence thereof neither party shall reason of such events be entitled to terminate this contract nor shall either party have any such non performance and delay is resumed as soon as practicable after such events has come to an end or ceased to exist, if the performance in whole or part of any obligation under this contract is prevented or delayed by reason or any such event claims for extension of time shall be granted for period considered reasonable by the purchaser subject to prompt notification by the seller to the purchaser of the particulars of the events and supply to the purchaser if required of any supporting evidence. Any waiver of time in respect of partial installment shall not be deemed to be a waiver of time in respect of remaining deliveries.

**CHECK LIST**

Bidder's acceptance to BHEL Visakhapatnam's Standard Commercial Terms & Conditions.

**Applicable for Indian bidders**

(To be submitted along with the offer – please do not change the format)

<b>BHEL Visakhapatnam Tender No: &amp; Date:</b>	Bidders Confirmation / response
Prices have been quoted on "FIRM PRICE" basis only (Yes / No)	
Prices have been quoted on "F.O.R BHEL Visakhapatnam" basis only (Yes / No)	
<b>P &amp; F (Please confirm whether included or not)</b>	
<b>Freight (Please confirm whether included or not)</b>	
<b>Insurance (Please confirm whether included or not)</b>	
Validity of offer (we require a minimum period of 120 days from the date of Tender Opening – <b>please Specify</b> )	
<b>Sales Tax (please Specify)</b>	
<b>Excise Duty (please Specify)</b>	
Delivery period from the date of Purchase Order ( <b>please Specify</b> ). A loading @ ½ % of the Purchase Order value per week will be done for the grace period requested. For evaluation 4 weeks will be considered as one month. Vendors quoting a delivery period beyond the 'the requested delivery plus the allowed grace period' is liable for rejection.	
Liquidated damages as per clause 5.12 (we require acceptance to @ ½% per week subject to a maximum of 10%) (Yes / No)	
Risk Purchase as per clause 5.13 (Yes / No) <b>(Offers from vendors not accepting the Risk Purchase terms will be rejected)</b>	
Payment terms (As per Clause No. 5.7.1) (Yes / No)	
Contract Execution Bank Guarantee (CEBG) as per Clause 5.10 (Yes / No) <b>(Offers from vendors not accepting to submit CEBG will be rejected)</b>	
Performance Bank Guarantee (PBG) as per Clause 5.11 (Yes / No) <b>(Offers from vendors not accepting to submit PBG will be rejected)</b>	
Guarantee as per clause 5.9 (The equipment shall be guaranteed for a period of 18 months from the date of supply or 12 months from the date of commissioning and acceptance whichever is earlier) (Yes / No) <b>(Offers from vendors not accepting to the guarantee period will be rejected)</b>	
<b>Inspection (please Specify the Place of Inspection)</b>	
Erection & Commissioning/ Installation/ Training <b>(Please confirm whether charges are included in the total cost or not)</b>	
Approximate Net Weight of the total Consignment	
Approximate Gross Weight of the total Consignment	

**Signature & Office Seal of the bidder**

**CHECK LIST**

Bidder's acceptance to BHEL Visakhapatnam 's Standard Commercial Terms & Conditions.

**Applicable for foreign bidders** (To be submitted along with the offer – please do not change the format)

<b>BHEL Visakhapatnam Tender No: &amp; Date:</b>	Bidders Confirmation / response
Prices have been quoted on "FIRM PRICE" basis only (Yes / No)	
Prices basis (FOB/CFR/CIF – <b>Please Specify</b> )	
Insurance ( <b>Please confirm whether included or not</b> )	
Validity of offer (we require a minimum period of 120 days from the date of Tender Opening – <b>please Specify</b> )	
Currency in which quoted ( <b>please Specify</b> )	
Port of loading ( <b>please Specify</b> )	
Country of Origin ( <b>please Specify</b> )	
Delivery period from the date of Letter of Intent ( <b>please Specify</b> ) A loading @ ½ % of the Purchase Order value per week will be done for the grace period requested. For evaluation 4 weeks will be considered as one month. Vendors quoting a delivery period beyond the 'the requested delivery plus the allowed grace period' is liable for rejection.	
Liquidated damages as per clause 5.12 (we require acceptance to @ ½% per week subject to a maximum of 10%)	
Risk Purchase as per clause 5.13 ( <b>Offers from vendors not accepting the Risk Purchase terms will be rejected</b> ) (Yes / No)	
Payment terms (As per Clause No. 5.7.2)	
Agency commission (refer clause 5.14)	
Contract Execution Bank Guarantee (CEPG) as per Clause 5.10 (Yes / No) ( <b>Offers from vendors not accepting to submit CEBG will be rejected</b> )	
Performance Bank Guarantee (PBG) as per Clause 5.11 (Yes / No) ( <b>Offers from vendors not accepting to submit PBG will be rejected</b> )	
Guarantee as per clause 5.9 (The equipment shall be guaranteed for a period of 18 months from the date of supply or 12 months from the date of commissioning and acceptance whichever is earlier). ( <b>Offers from vendors not accepting to the requested guarantee period will be rejected</b> ) (Yes / No)	
Inspection ( <b>please Specify</b> )	
Erection & Commissioning/ Installation/ Training ( <b>Please confirm whether charges are included in the total cost or not</b> )	
Dimension of the Largest Part ( <b>please Specify</b> )	
Packing Schedule (No of containers and their Sizes) ( <b>please Specify</b> )	
Approximate Net Weight of the total Consignment ( <b>please Specify</b> )	
Approximate Gross Weight of the total Consignment ( <b>please Specify</b> )	

**Signature & Office Seal of the bidder**