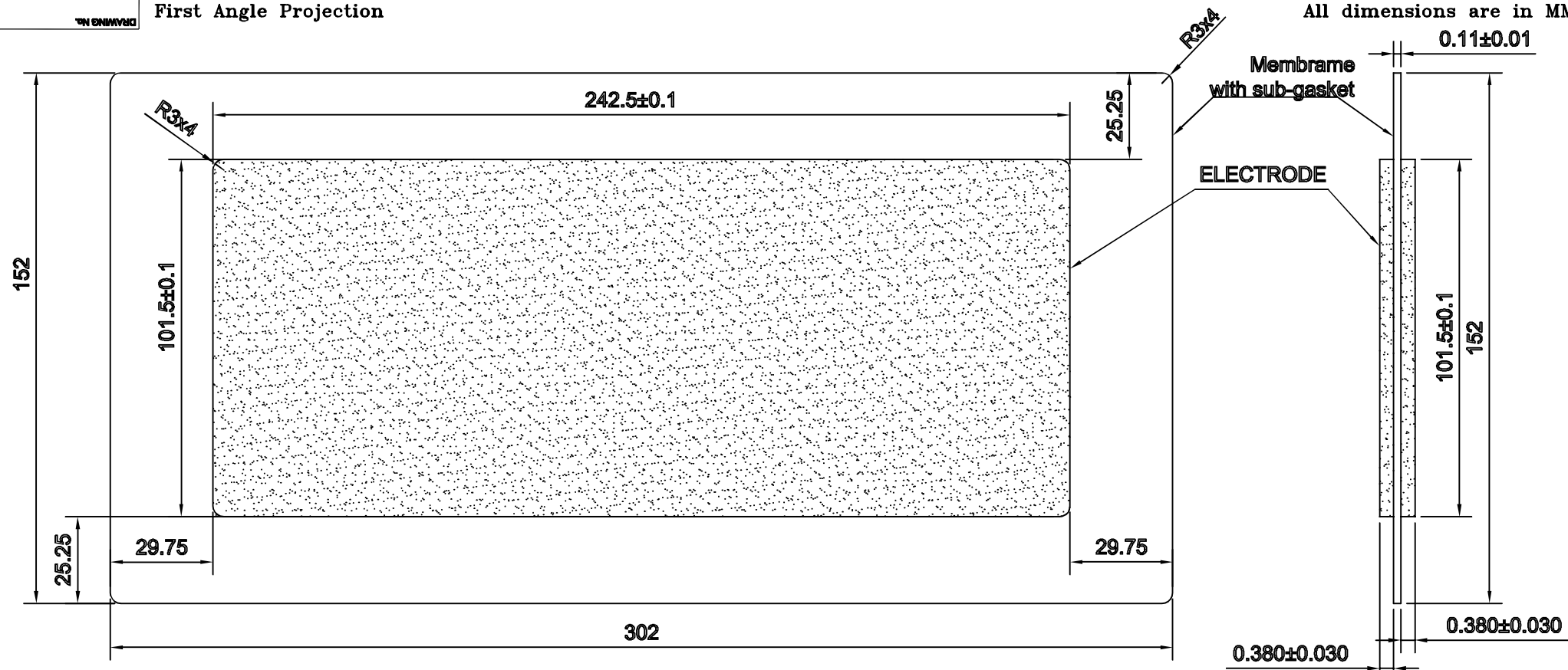


The information on this document is the property of BHARAT HEAVY ELECTRICALS LIMITED. It must not be used directly or indirectly in any way detrimental to the interest of the company.

First Angle Projection

All dimensions are in MM




MATERIAL : Membrane-Electrode-Assembly.

NOTE:

1. Membrane Size Equal to GDE size.
2. All dimensions are in millimeters (mm) unless otherwise noted.
3. All square corners are R1.0 MAX unless otherwise noted.
4. GDE : 242.5x101.5mm
5. Anode and Cathode perimeters to fall within line profile.
6. Gas Diffusion Layer (GDL) size is equal to Gas Diffusion Electrode (GDE) size.
7. Dimension and tolerancing for GDE applies to both anode and cathode separately.

ADDITIONAL INFORMATION	
STATUS OF DRAWING	
DISTRIBUTION OF PRINTS	
REV.	DATE
	ALTERED
	CHECKED
	APPROVED

ITEM No.		DESCRIPTION		DRAWING No.		MTL SPCN.		QTY.		UNIT WT. (Kg.)			
						MTL CODE							
TYPE OF PRODUCT OR NAME OF THE CUSTOMER/PROJECT				HT PEM Fuel CELL (MYM1467162)									
 BHARAT HEAVY ELECTRICALS LTD. CORPORATE RESEARCH AND DEVELOPMENT				NAME		SIGN		DATE		No. OF VAR			
				DRN		DNYNDEV							
				CKD		VASU G							
APPD		M R PAWAR											
DEPT		MATERIAL		SCALE		TOTAL WT. (Kg.)		REF. TO ASSY. DRG.		ITEM No.			
FCR				NTS						No. OF ITEM			
CODE		62								REV.			
TITLE				DRAWING No.									
HIGH TEMPERATURE MEA				4-PEMFC-62-35-00				2					
(MEMBRANE ELECTRODE ASSEMBLY)				SHT. No.				No. OF SHTS.					