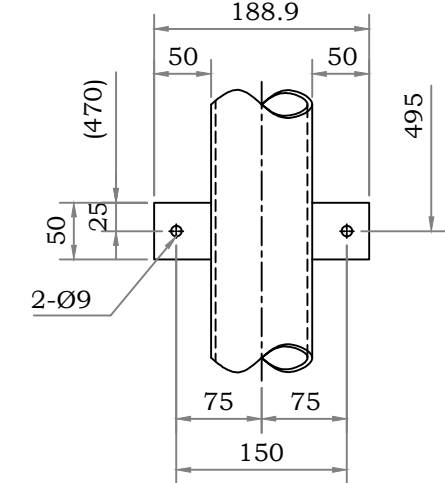
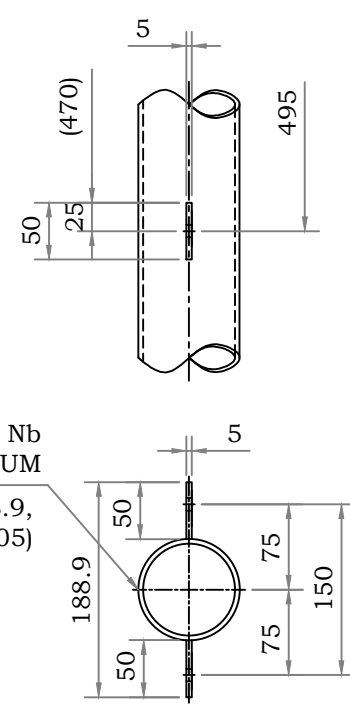
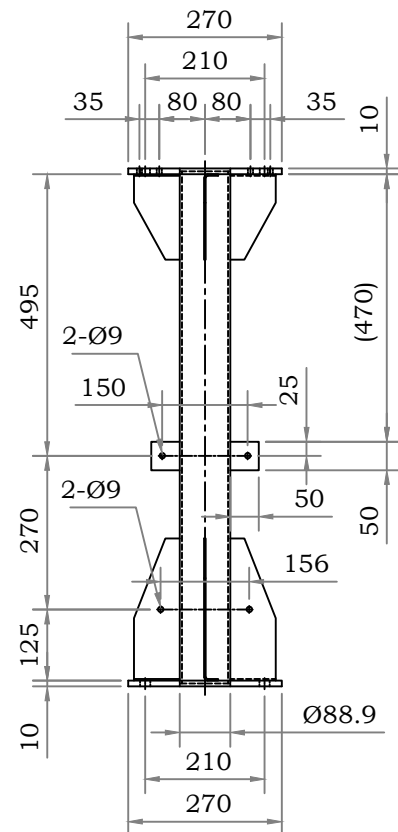
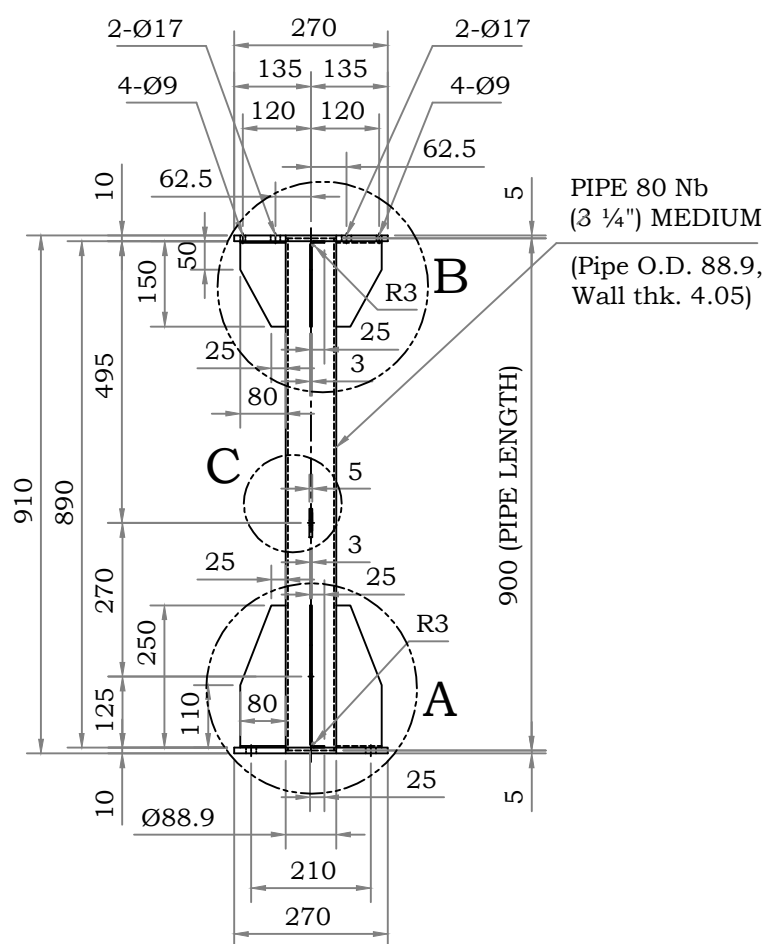


The information on this document is the property of BHARAT HEAVY ELECTRICALS LIMITED. It must not be used directly or indirectly in any way detrimental to the interest of the company.

3-13-572-62-22-00  
DRAWING No.

First Angle Projection

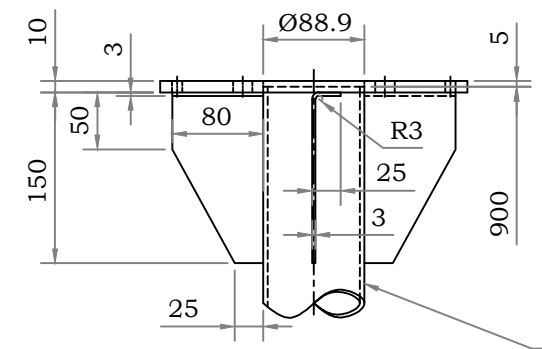
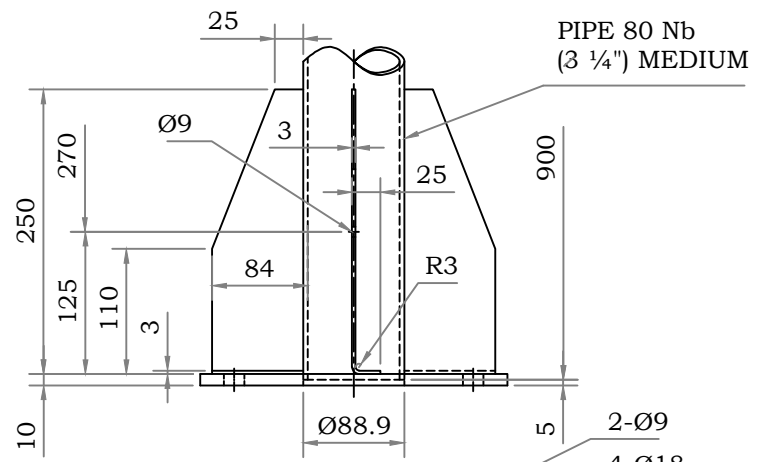
All dimensions are in MM



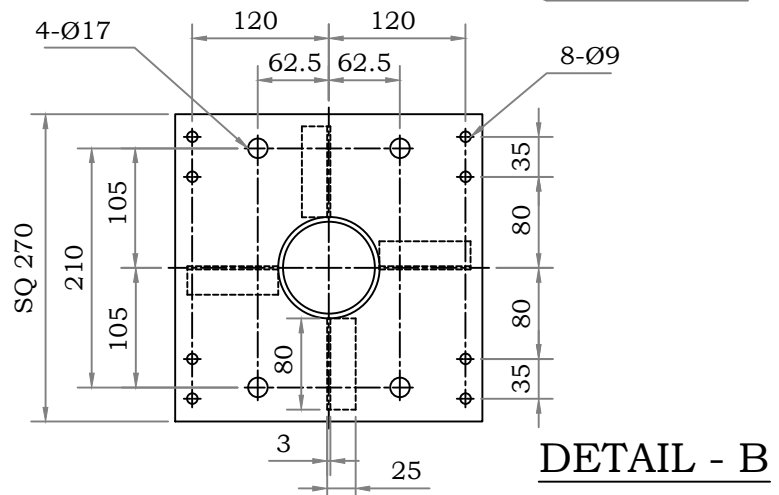
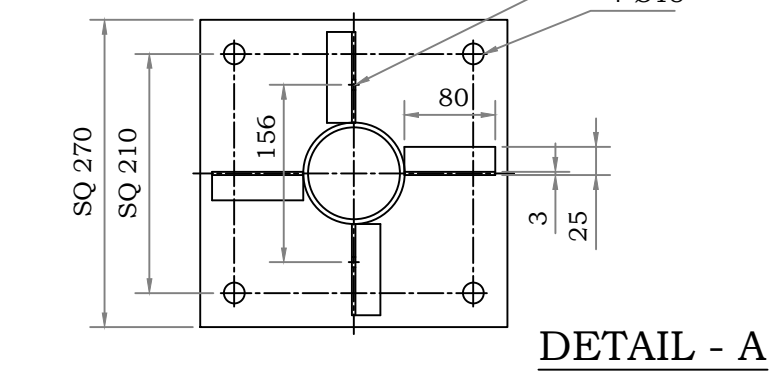
**DETAIL - C**

**MATERIAL : M.S.**  
**QUANTITY : 42 Nos.**

- NOTES:**
1. MATERIAL SHALL BE STRAIGHTENED BEFORE FABRICATION.
  2. ALL JOINTS ARE TO BE WELDED UNLESS OTHERWISE SPECIFIED.
  3. SHARP CORNERS AND BURRS SHALL BE SMOOTHENED.
  4. MATERIAL SHALL BE HOT DIP GALVANISED.
  5. CENTRE LINE OF POLE SHALL BE MAINTAINED PERPENDICULAR TO THE BOTTOM PLATE AND TOP PLATE WHILE FABRICATION.



PIPE 80 Nb  
(3 1/4") MEDIUM



ITEM No.	DESCRIPTION	DRAWING No.	MTL. SPCN. MTL. CODE	QTY.	UNIT WT. (Kg.)
TYPE OF PRODUCT OR NAME OF THE CUSTOMER/PROJECT <b>Field Demonstration of 100 kWp SPV System with Solar Thermal Sun Trackers</b>					
<b>BHARAT HEAVY ELECTRICALS LTD.</b> CORPORATE RESEARCH AND DEVELOPMENT		NAME	SIGN	DATE	No. OF VAR
DRN	KVPR RAO				
CKD	SURYA ASP				
APPD	M R PAWAR				
DEPT FCR CODE 62	MATERIAL M.S.	SCALE NTS	TOTAL WT. (Kg.)	REF. TO ASSY. DRG.	ITEM No. No. OF ITEM
TITLE <b>POLE</b> (50 kWp HORIZONTAL AXIS PASSIVE TRACKERS)			DRAWING No. <b>3-13-572-62-22-00</b>	REV. <b>0</b>	
SHT. No.				No. OF SHTS.	