

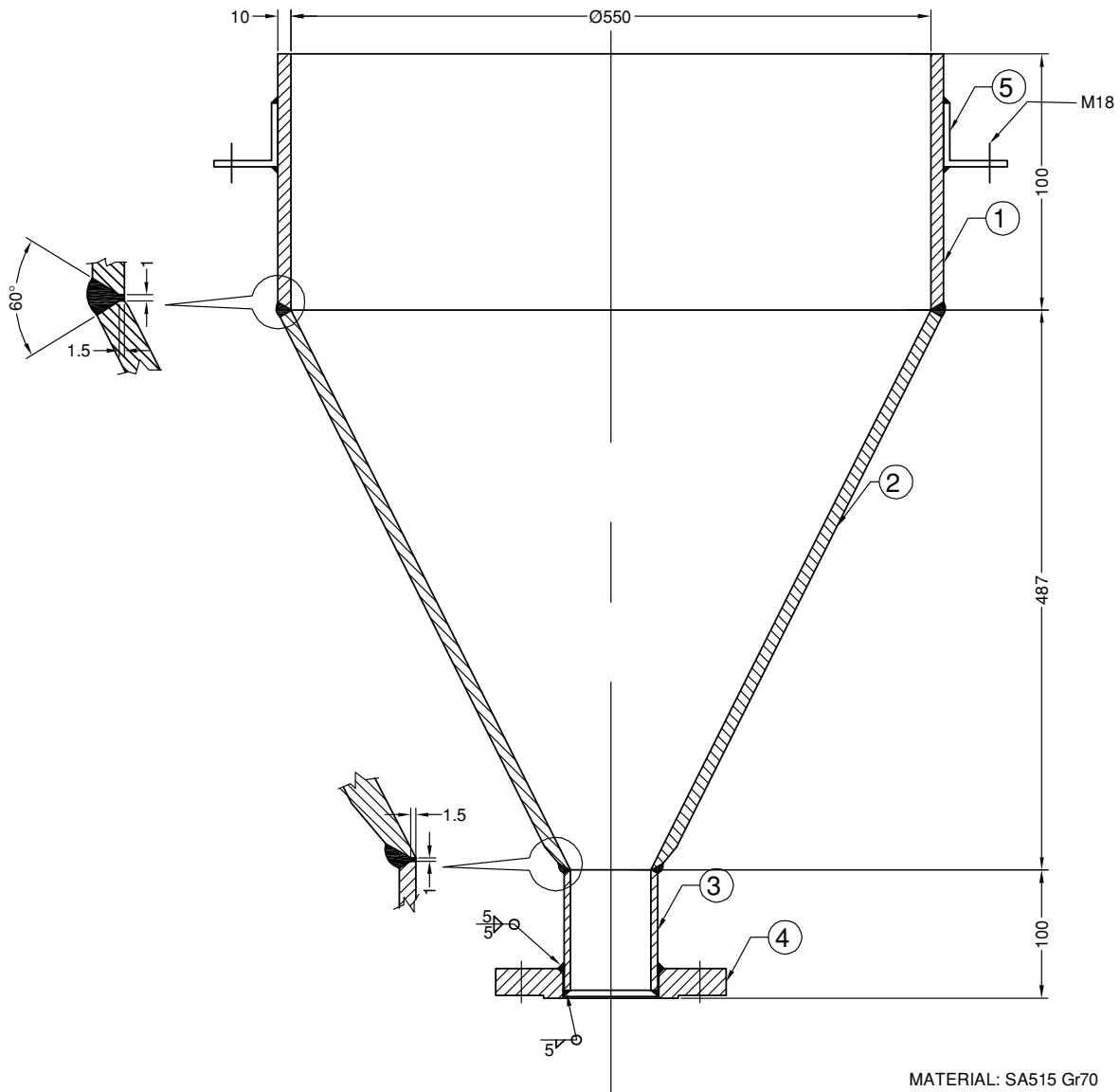


Corp R&D

COAL&SORBENT HOPPER

SHEET

1 of 2



MATERIAL: SA515 Gr70
QUANTITY: 2 Nos
NOZZLE MATL.: SA106 GrB
FLANGE: ANSI B16.5 CL150

ALL DIMENSIONS ARE IN mm

Proj:
3ata APFBG

Drn: Titus
Date: 18-06-15

Chd: NSRK
Appd: DSM Rao

Drg. No.
4-QYN-14-686-002
Rev
01