

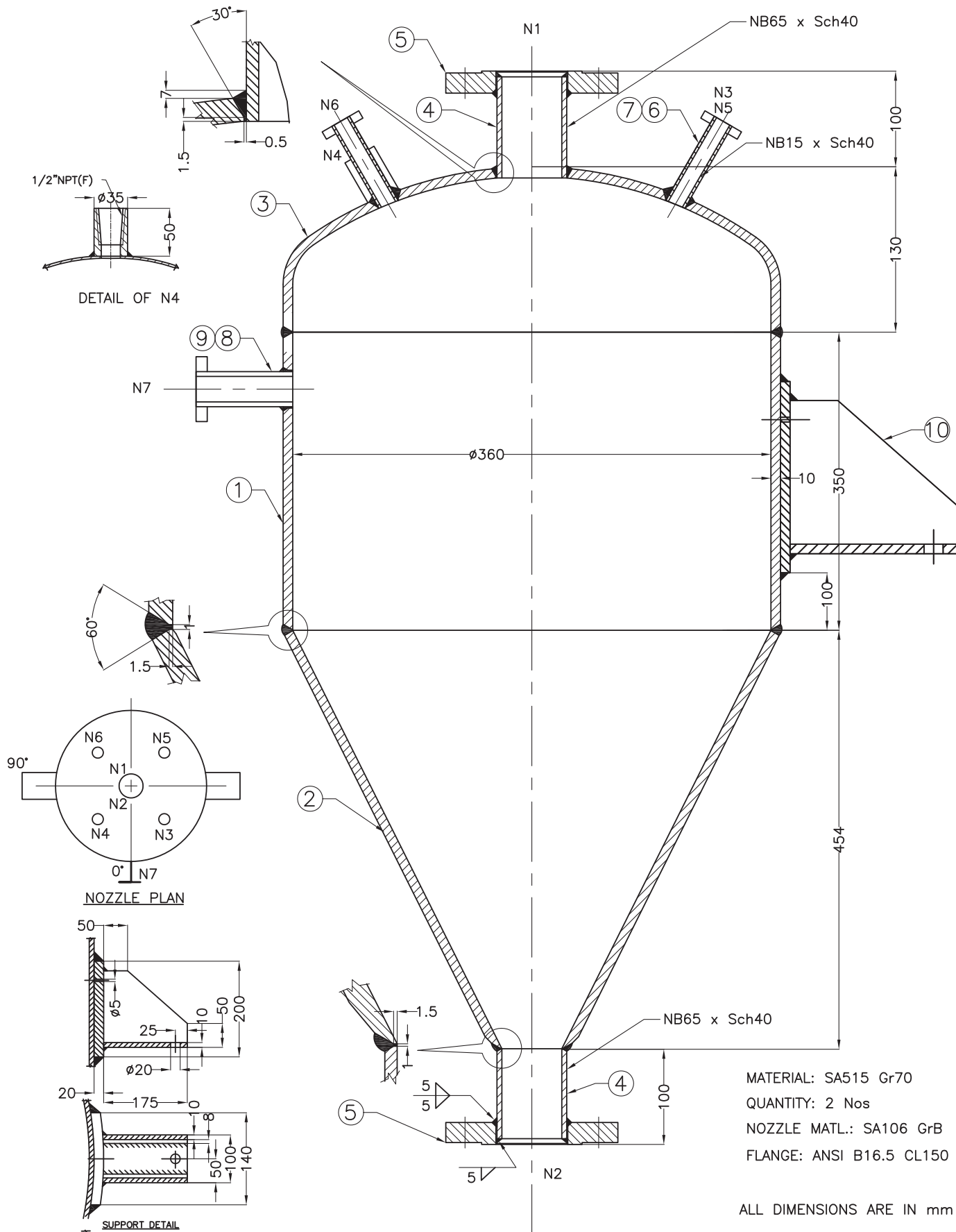


Corp R&D

ASH RECIVER & LOCK (CYCLONE-1)

SHEET

1 of 2



Proj. 3ata APFBG	Drn: Titus	Chd: NSRK	Drng. No.	Rev
	Date: 20-06-15	Appd: DSM Rao	4-QYN-14-686-005	01