



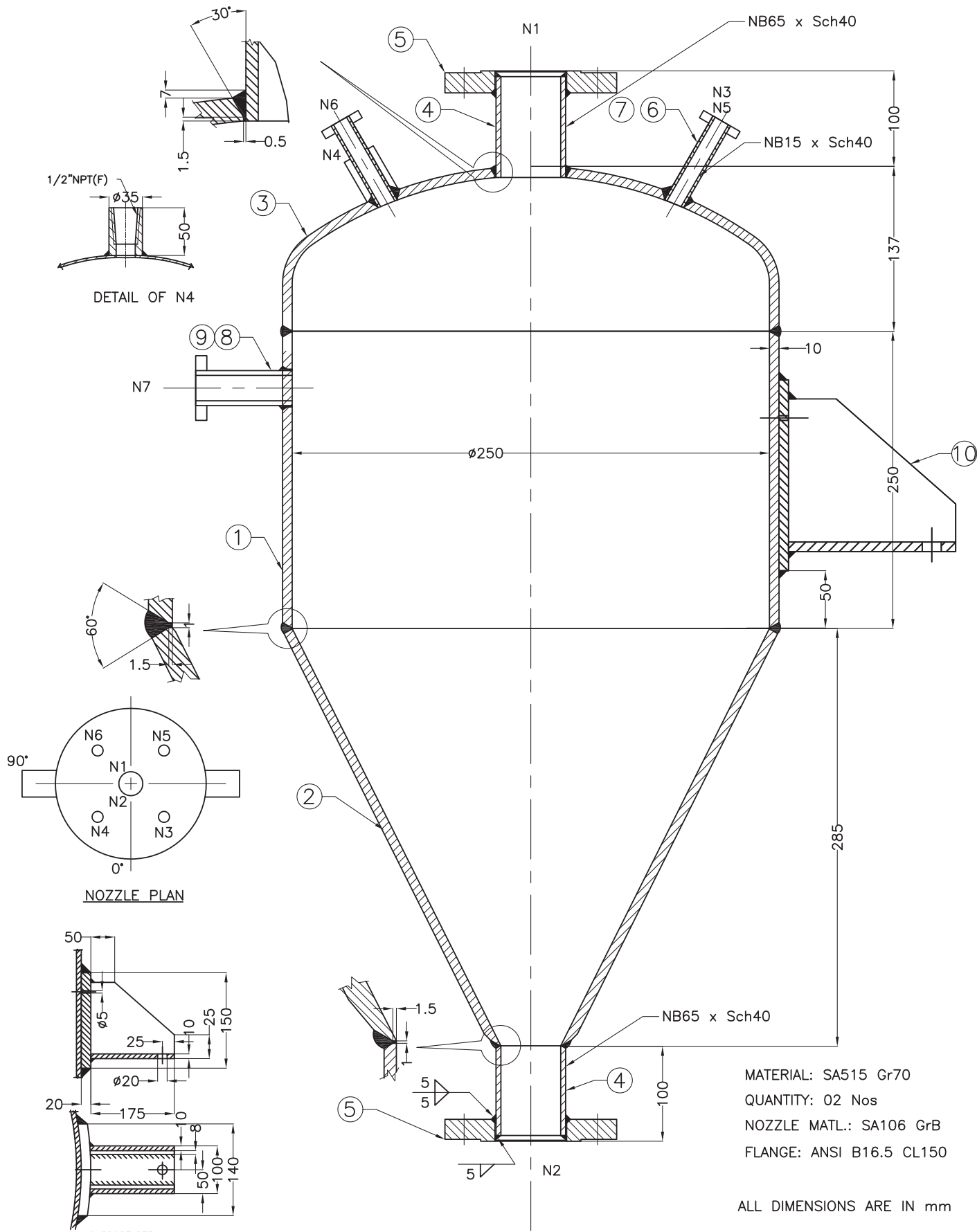
Corp R&D

ASH RECIVER & LOCK

(CYCLONE-2)

SHEET

1 of 2



MATERIAL: SA515 Gr70
 QUANTITY: 02 Nos
 NOZZLE MATL.: SA106 GrB
 FLANGE: ANSI B16.5 CL150

ALL DIMENSIONS ARE IN mm

Proj. 3ata APFBG	Drn: Titus	Chd: NSRK	Drng. No.	Rev
	Date: 20-06-15	Appd: DSM Rao	4-QYN-14-686-006	01