

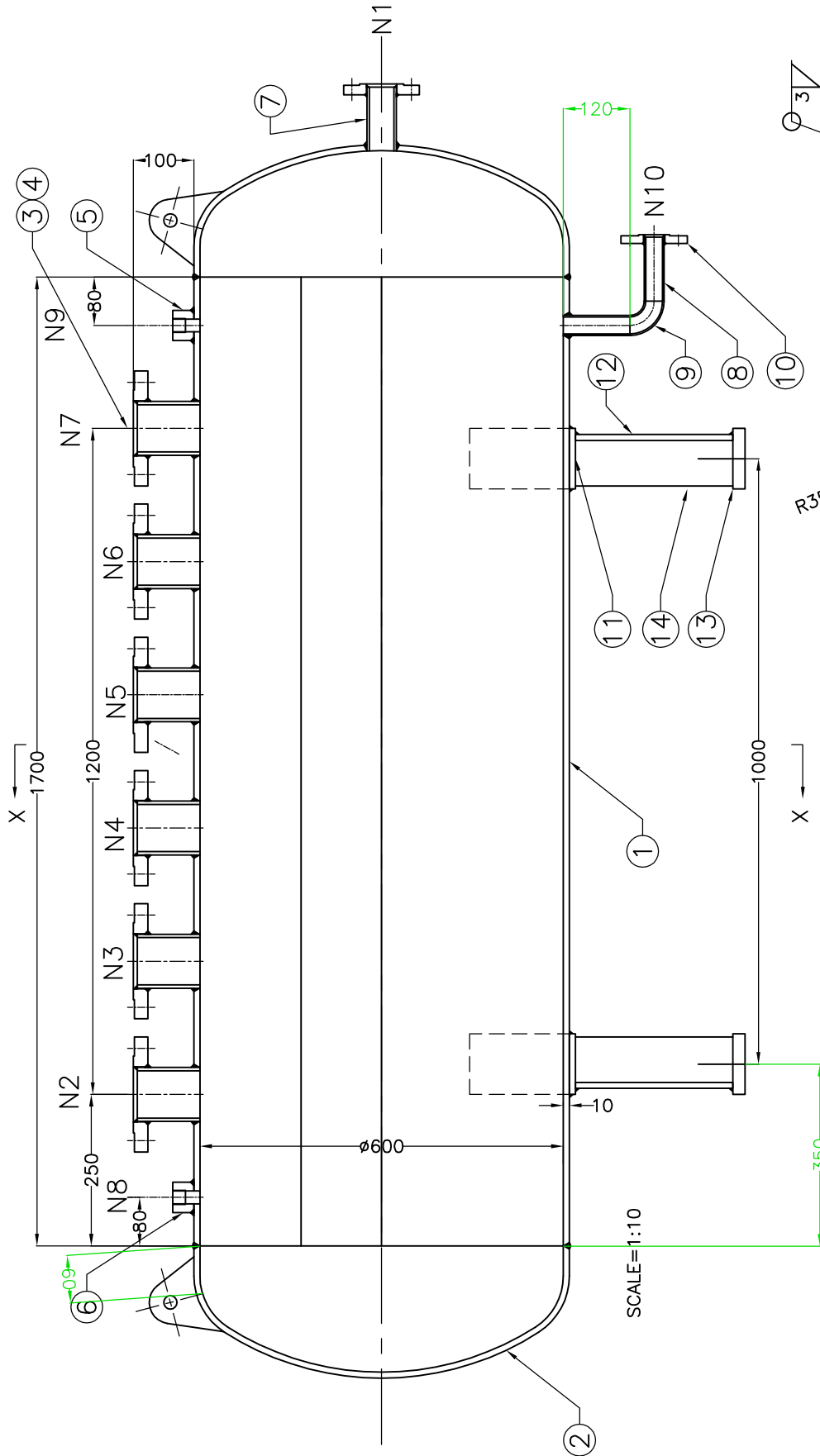


Corp R&D

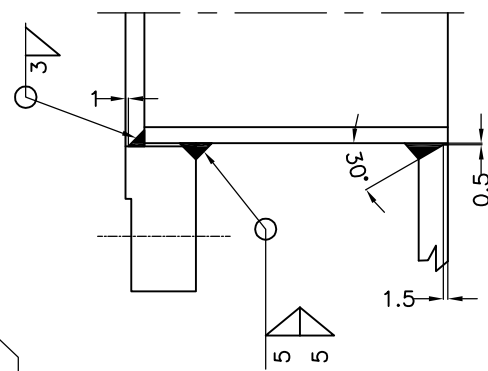
AIR RECEIVER

SHEET

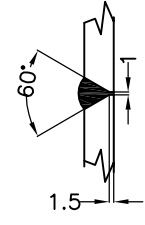
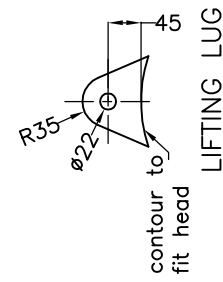
1 of 2



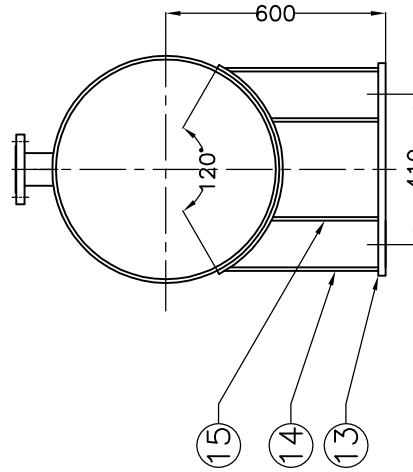
SCALE=1:10



NOZZLE WELDING (TYP)



WELD DETAIL OF LONG & CIRC. SEAM



VIEW-XX
SCALE=1:20

VOL: 0.5 m³
 MATERIAL: SA515 Gr70
 QUANTITY: 1 Nos
 NOZZLE MATL.: SA106 GrB
 FLANGE: ANSI B16.5 CL150
 SCALE=1:10
 ALL DIMENSIONS ARE IN mm

Proj. Jata APFBG	Drn: Titus	Chd: NSRK	Drg. No. 4-QYN-14-686-010	Rev 01
	Date: 19-06-15	Appd: DSM Rao		