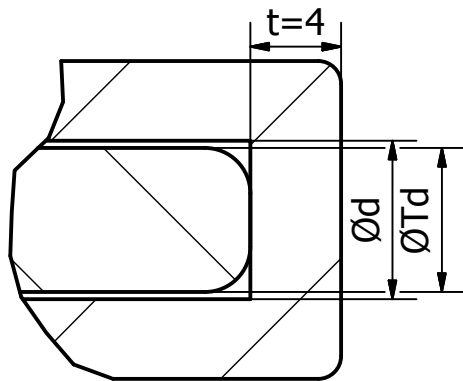


Note:
 1. Thermocouple is K-Type, mineral insulated, simplex 6mm dia
 2. TB should be spring loaded type



B (3 : 1)

TABLE							
Varient No	d	TWID	B	U	C	N	Quantity
Varient No 1	6.0	7.0	14.0	90	40.0	Vendor yo specify	6
varient no 2	6.0	7.0	14.0	85	40.0	Vendor to specify	3
Varient no 3	6.0	7.0	14.0	85	40.0	Vendor to specify	3
varient no 4	6.0	7.0	14.0	70	40.0	Vendor to specify	3
Varient no 5	6.0	7.0	14.0	50	40.0	Vendor to specify	3
Varient no 6	6.0	7.0	14.0	160	40.0	Vendor to specify	10
varient no 7	6.0	7.0	14.0	230	40.0	Vendor to specify	18

All dimensions are in mm

Designed by mdass	Checked by A.Gunasekaran	Approved by Siva Rama Krishna	Date	Date 8/10/2015	
			K-type Thermocouple Assembly		
			Dwg no 4-QYN-14-686-011	Edition 0	Sheet 1 / 1