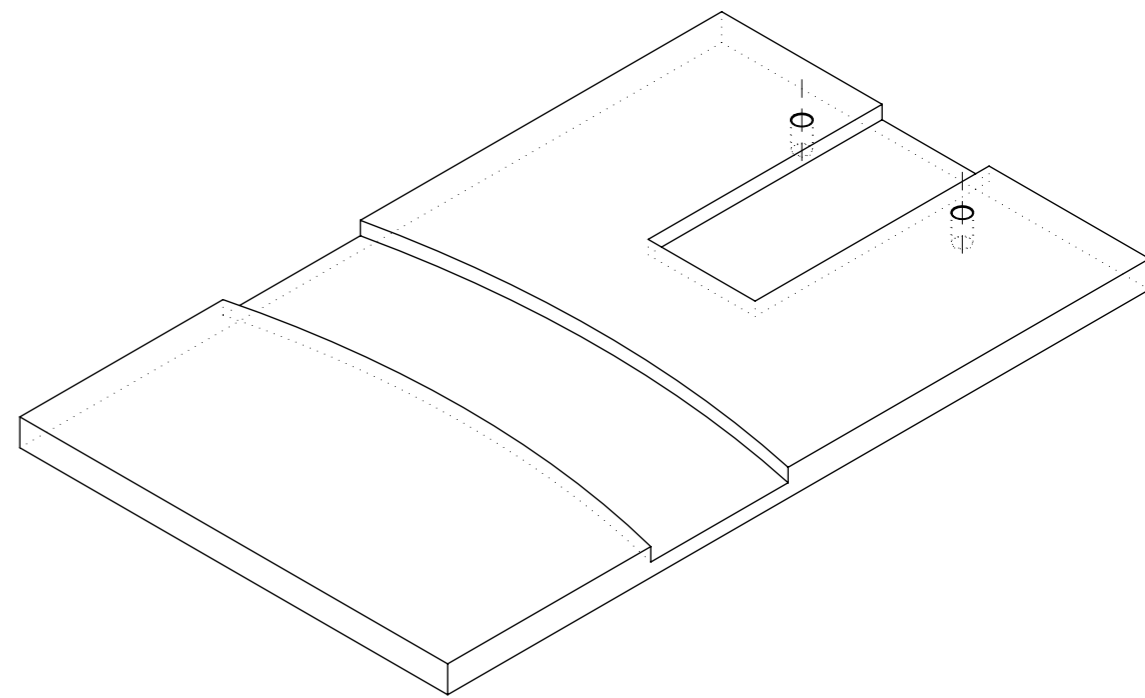
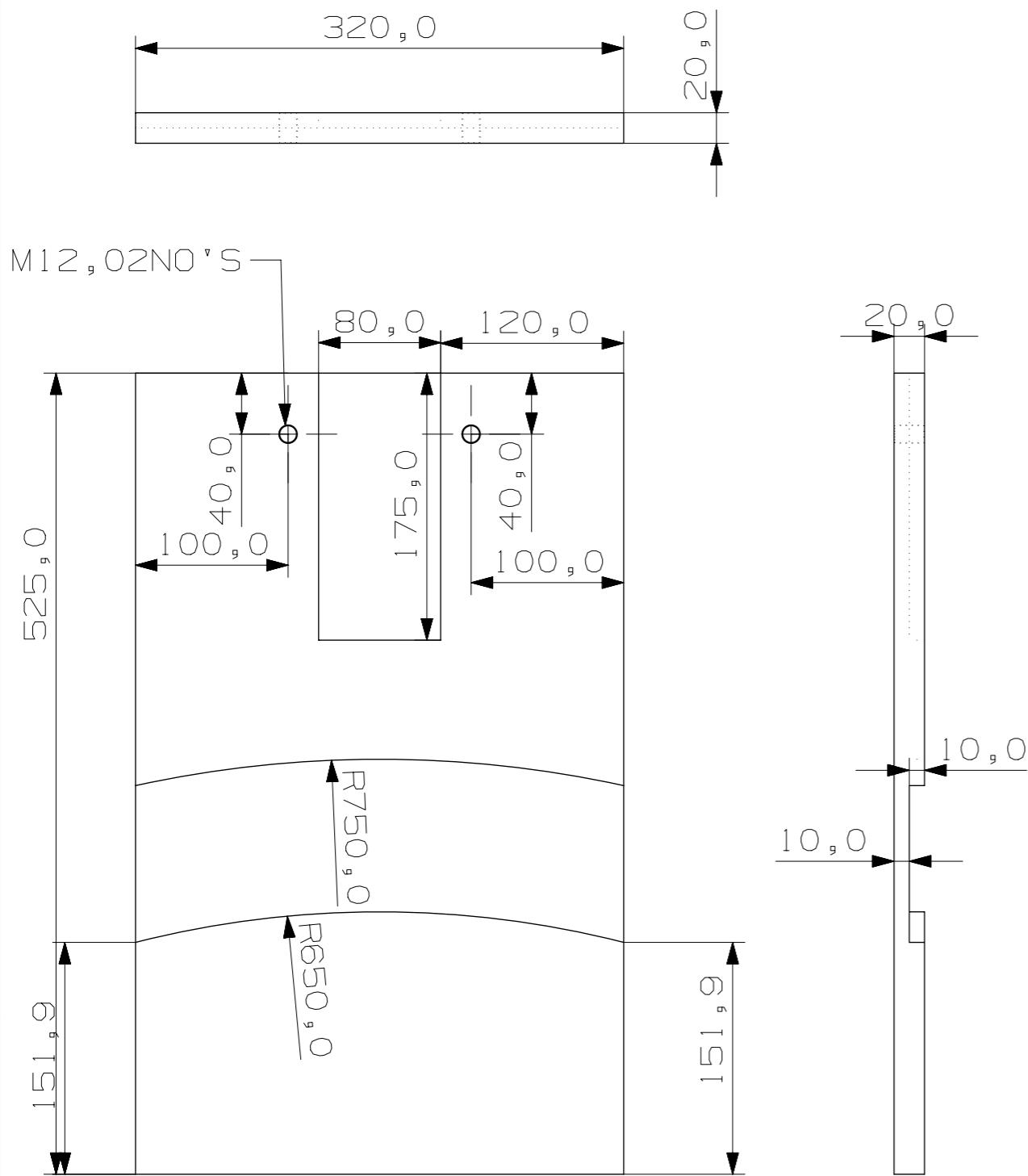


INVENTORY NO. SIGN. AND DATE REF. DRG. NO. THE INFORMATION ON THIS DOCUMENT IS THE PROPERTY OF BHARAT HEAVY ELECTRICALS LIMITED. IT MUST NOT BE USED DIRECTLY OR INDIRECTLY IN ANY WAY DETRIMENTAL TO THE INTEREST OF THE COMPANY

DRG. NO. 01/01/39/2015



ITEM NO	DESCRIPTION	DRAWING NO.	MATL CODE.	UNIT WT								
			MATL. SPEN.	QTY								
TYPE OF PRODUCT		DIE BOTTOM PLATE FOR										
OR		FR06-STG02-BUCKET MODEL										
NAME OF CUSTOMER/PROJECT												
	BHARAT HEAVY ELECTRICALS LTD. CORPORATE R&D	DRN.	NAME RAVINDER	SIGN.	DATE 28.07.15	NO.OF VAR.						
		CHD.	NSSK		28.07.15	NA						
		APPD.	G MADHAVULU		28.07.15							
REV.	DATE	ALTERED	CHECKED	APPD	DEPT. TDL	GRADE OF TOL.DIM. E/M/f		SCALE 1:4	WEIGHT (KG) NA	REF. TO ASSY DRG.	ITEM NO. NA	NO.OF ITEMS NA
ZONE					CODE 39							
TITLE SCHEMATIC DIAGRAM OF die bottom plate (fr05-stg2 bucket model)									CARD CODE NA	DRAWING NO. 01/01/39/2015	REV. NA	
										SHEET No. 1	NO OF SHEETS 1	